



Floating Scum Skimmers

FSP

As the FSP-series is a floating type scum skimmer, it can meet any water level and effectively remove scum. A proprietary jet-injector mechanism ensures stable suction.

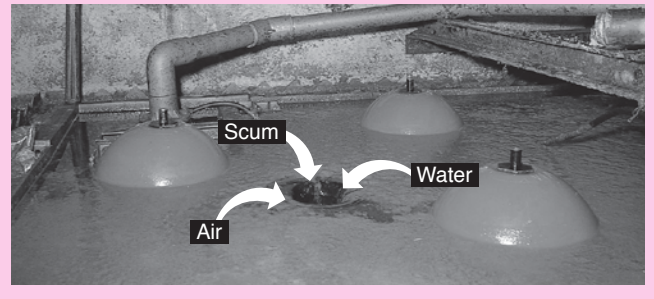
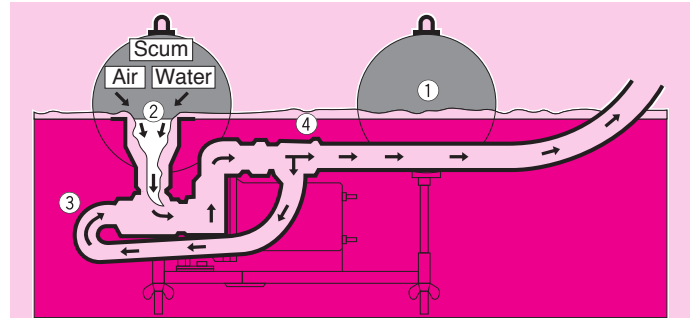


Jet-injector FSP

A new suggestion for scum skimming

It efficiently removes more scum and less supernatant liquid than conventional equivalents.

- ① As it is a floating type, a suction mouth can keep its relative position with the water surface. This prevents operation failure due to changes in the water level.
- ② The suction mouth can be adjusted to a depth between 0 to 2 3/8", it can efficiently suck scum with minimal amount of water.
- ③ A jet-injector mechanism prompts suction operation and helps it suck stably even if water, air and scum are drawn simultaneously.
- ④ Use of a flexible hose simplifies installation.



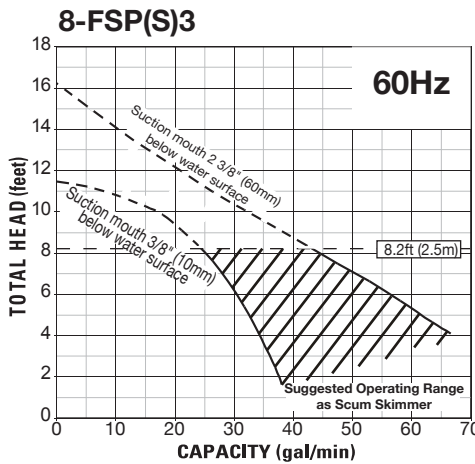
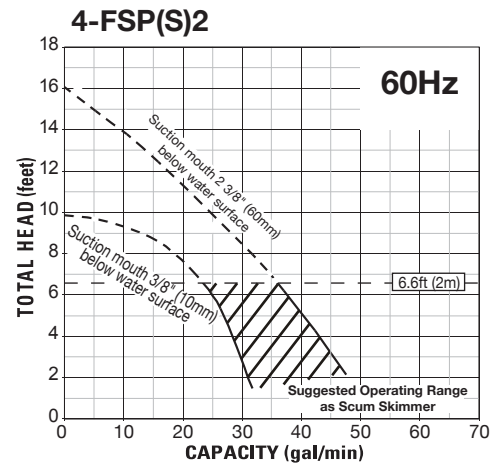
Application

Removal of suspended matters on water surface

Standard Accessories

- Hose Coupling.....1pc.
- Mooring Rope (20 ft).....3pcs.

Performance Curves



Dimensions

Unit: inches

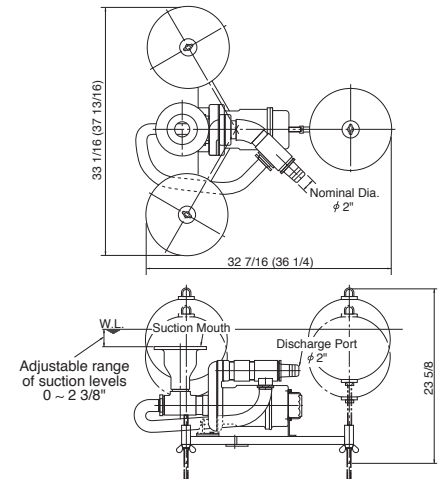


Figure in () shows the dimension of Model 8-FSPS3

Standard Specifications 60Hz

Discharge Bore inches	Model	Motor Output HP	Phase	Speed (S.S.) RPM	Starting Method	Impeller Passage inches	DryWeight lbs	Cable Length ft
2	4-FSPS2	1/2	Single	3600	Capacitor Start	0.630	84	32
2	4-FSP2	1/2	Three	3600	D.O.L.	0.630	79	32
2	8-FSPS3	1	Single	3600	Capacitor Start	0.866	99	32
2	8-FSP3	1	Three	3600	D.O.L.	0.866	84	32

● Weights excluding cable

We reserve the right to change the specifications and designs for improvement without prior notice.



1625 Fullerton Court, Glendale Heights, IL 60139
 Tel: 1-888-878-7864 • Fax: 1-630-793-0146
 www.tsurumipump.com • info@tsurumi-america.com

Your Dealer