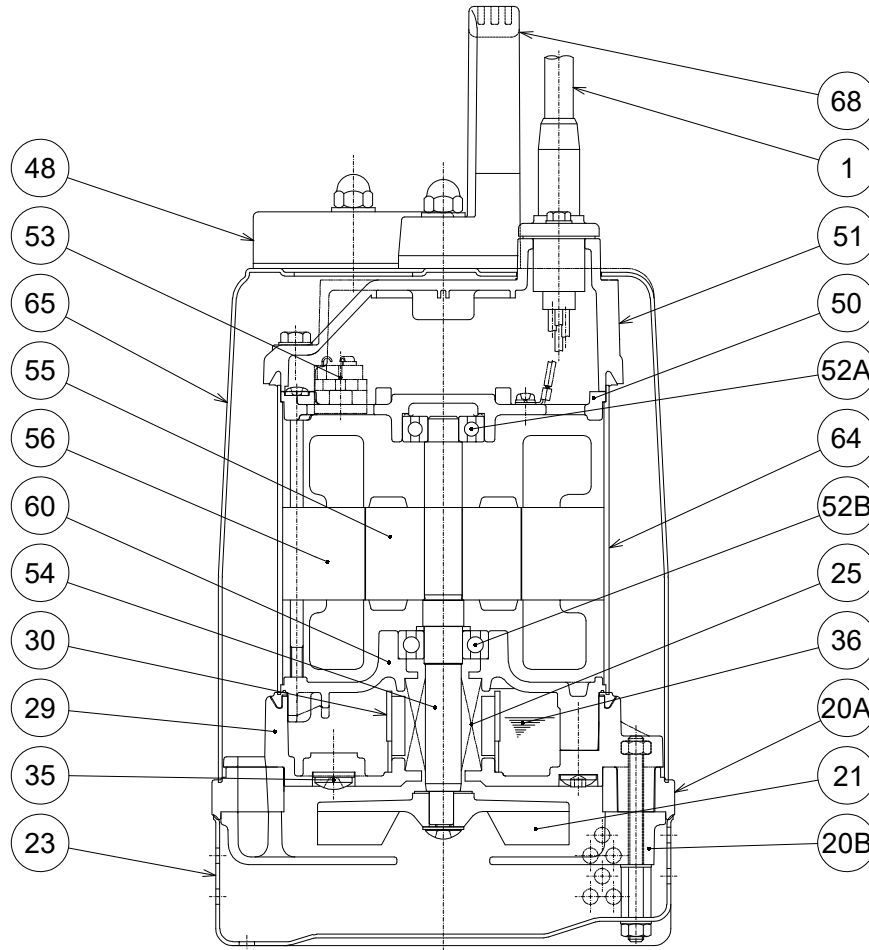


**50SQ2-2.75-61**



| ITEM# | DESCRIPTION       | MAIN MATERIAL / NOTE        | ASTM, AISI CODE | RELATED EN CODE      | Q'TY |
|-------|-------------------|-----------------------------|-----------------|----------------------|------|
| 1     | Power Cable       | PVC Sheath AWG16/4-32ft     |                 |                      | 1    |
| 20A   | Upper Pump Casing | Nitrile Butadiene Rubber    |                 |                      | 1    |
| 20B   | Lower Pump Casing | Stainless Steel Casting     | A743 CF-8       | 17445 G-X6 CrNi 18-9 | 1    |
| 21    | Impeller          | PPO Plastic w/GF20          |                 |                      | 1    |
| 23    | Strainer Stand    | Stainless Steel             | S 30400         | 1.4301               | 1    |
| 25    | Mechanical Seal   | Silicon Carbide / W-14HL    |                 |                      | 1    |
| 29    | Oil Casing        | PPS Plastic w/(GF+MD)50     |                 |                      | 1    |
| 30    | Oil Lifter        | PBT Plastic w/(GF+MD)40     |                 |                      | 1    |
| 35    | Oil Plug          | Stainless Steel             | S 30400         | 1.4301               | 1    |
| 36    | Lubricant         | White Oil ISO VG32          |                 |                      |      |
| 48    | Companion Flange  | PBT Plastic W/GF30 / NPT 2" |                 |                      | 1    |
| 50    | Motor Bracket     | Aluminum Alloy Die Casting  | B85 383.0       | EN 1706 AC-46100     | 1    |
| 51    | Motor Head Cover  | PPS Plastic w/(GF+MD)50     |                 |                      | 1    |
| 52A   | Upper Bearing     | #6201ZZC3                   |                 |                      | 1    |
| 52B   | Lower Bearing     | #6302ZZC3                   |                 |                      | 1    |
| 53    | Motor Protector   |                             |                 |                      | 1    |
| 54    | Shaft             | Stainless Steel             | S 30400         | 1.4301               | 1    |
| 55    | Rotor             |                             |                 |                      | 1    |
| 56    | Stator            |                             |                 |                      | 1    |
| 60    | Bearing Housing   | Aluminum Alloy Die Casting  | B85 383.0       | EN 1706 AC-46100     | 1    |
| 64    | Motor Housing     | Stainless Steel             | S 30400         | 1.4301               | 1    |
| 65    | Outer Cover       | Stainless Steel             | S 31600         | 1.4401               | 1    |
| 68    | Handle            | ABS Resin                   |                 |                      | 1    |