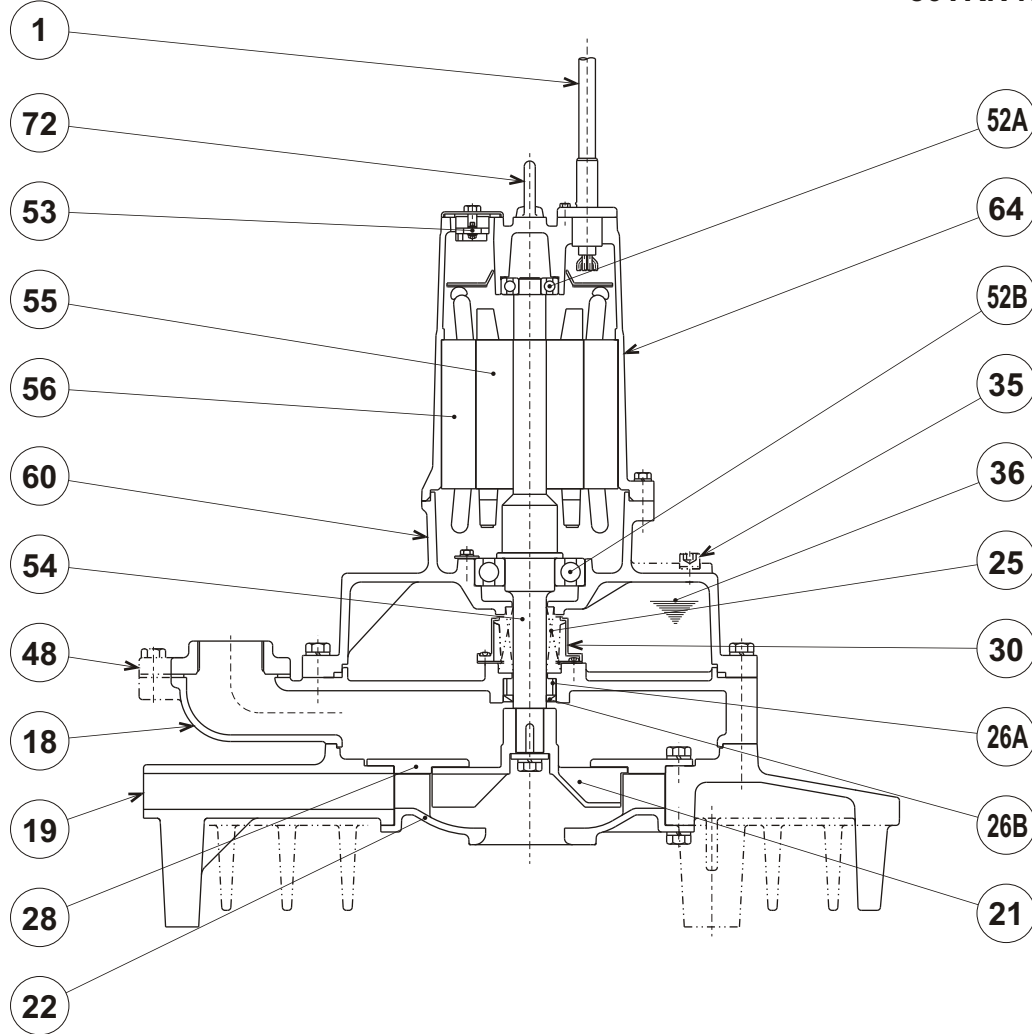




TRN - SERIES
SUBMERSIBLE - AERATOR

SECTIONAL VIEW

50TRN43.7-62



PART#	DESCRIPTION	MAIN MATERIAL / NOTE	ASTM, AISI CODE	RELATED DIN CODE	QTY
1	Power Cable	PVC Sheath AWG12/4- 32ft			1
18	Air Passage	Cast Iron	A48M Class30B	EN 1561 GJL-200	1
19	Guide Vane	Cast Iron	A48M Class30B	EN 1561 GJL-200	1
21	Impeller	Stainless Steel Casting	A743 CA-15	X15Cr13	1
22	Suction Cover	Stainless Steel Casting	A743 CA-15	X15Cr13	1
25	Mechanical Seal	Silicon Carbide / H-30A			1
26A	Distance Piece	Steel Pipe	A53 Type F	DIN 1615 St 33	1
26B	Oil Seal	NBR / VC-30486			1
28	Middle Plate	Stainless Steel	S 41000	1.4006	1
30	Oil Lifter	PBT Plastic w/(GF+MD)40			1
35	Oil Plug	Stainless Steel	S 30400	1.4301	2
36	Lubricant	Turbine Oil ISO VG32 or SAE 10W-20			
48	Companion Flange	Cast Iron / NPT 2"	A48M Class30B	EN 1561 GJL-200	1
52A	Upper Bearing	6304ZZC3			1
52B	Lower Bearing	6309ZZC3			1
53	Motor Protector				1
54	Shaft	Stainless Steel	S 42000	1.4028	1
55	Rotor				1
56	Stator				1
60	Bearing Housing	Cast Iron	A48M Class25B	EN 1561 GJL-150	1
64	Motor Housing	Cast Iron	A48M Class25B	EN 1561 GJL-150	1
72	Lifting Lug Bolt	Stainless Steel	S 30400	1.4301	2