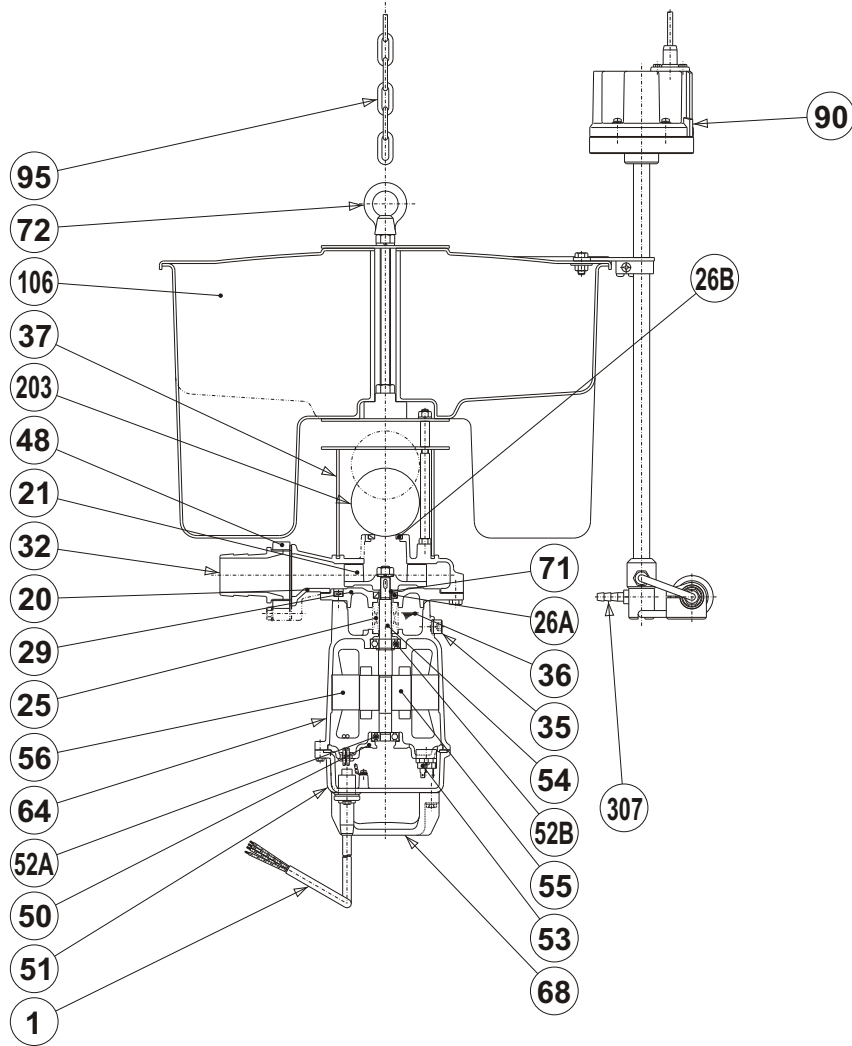




TSURUMI PUMP

**FHP - SERIES
FLOATING - DECANTER PUMP**

SECTIONAL VIEW



PART#	DESCRIPTION	MAIN MATERIAL / NOTE	ASTM, AISI CODE	RELATED DIN CODE	QTY
1	Power Cable	PVC Sheath AWG16/4- 32ft			1
20	Pump Casing	Cast Iron	A48M Class30B	EN 1561 G.JL-200	1
21	Impeller	Cast Iron	A48M Class30B	EN 1561 G.JL-200	1
25	Mechanical Seal	Silicon Carbide / W-14HC			1
26A	Oil Seal	NBR / SC-15287			1
26B	Oil Seal	NBR / VC-25405			1
29	Oil Casing	Cast Iron	A48M Class30B	EN 1561 G.JL-200	1
32	Hose Coupling	Polycarbonate Plastic			1
35	Oil Plug	Stainless Steel	S 30400	1.4301	1
36	Lubricant	Turbine Oil ISO VG32 or SAE 10W-20			
37	Suction Pipe	Stainless Steel	S 30400	1.4301	1
48	Companion Flange	PBT Plastic w/GF30			1
50	Motor Bracket	Cast Iron	A48M Class25B	EN 1561 G.JL-150	1
51	Head Cover	Cast Iron	A48M Class25B	EN 1561 G.JL-150	1
52A	Upper Bearing	6201ZZC3			1
52B	Lower Bearing	6202ZZC3			1
53	Motor Protector				1
54	Shaft	Stainless Steel	S 42000	1.4028	1
55	Rotor				1
56	Stator				1
64	Motor Housing	Cast Iron	A48M Class25B	EN 1561 G.JL-150	1
68	Handle	Resin			1
71	Shaft Sleeve	Stainless Steel	S 43000	1.4016	1
72	Lifting Lug Nut	Stainless Steel	S 30400	1.4301	1
90	Anti-sludge Sensor	MVVS AWG22/3- 32ft			1
95	Chain	Stainless Steel - 10ft	S 30400	1.4301	1
106	Float	FRP			1
203	Checkball	Rasin			1
307	Connection for Sensor Cleaning Water Hose	Copper Alloy			1