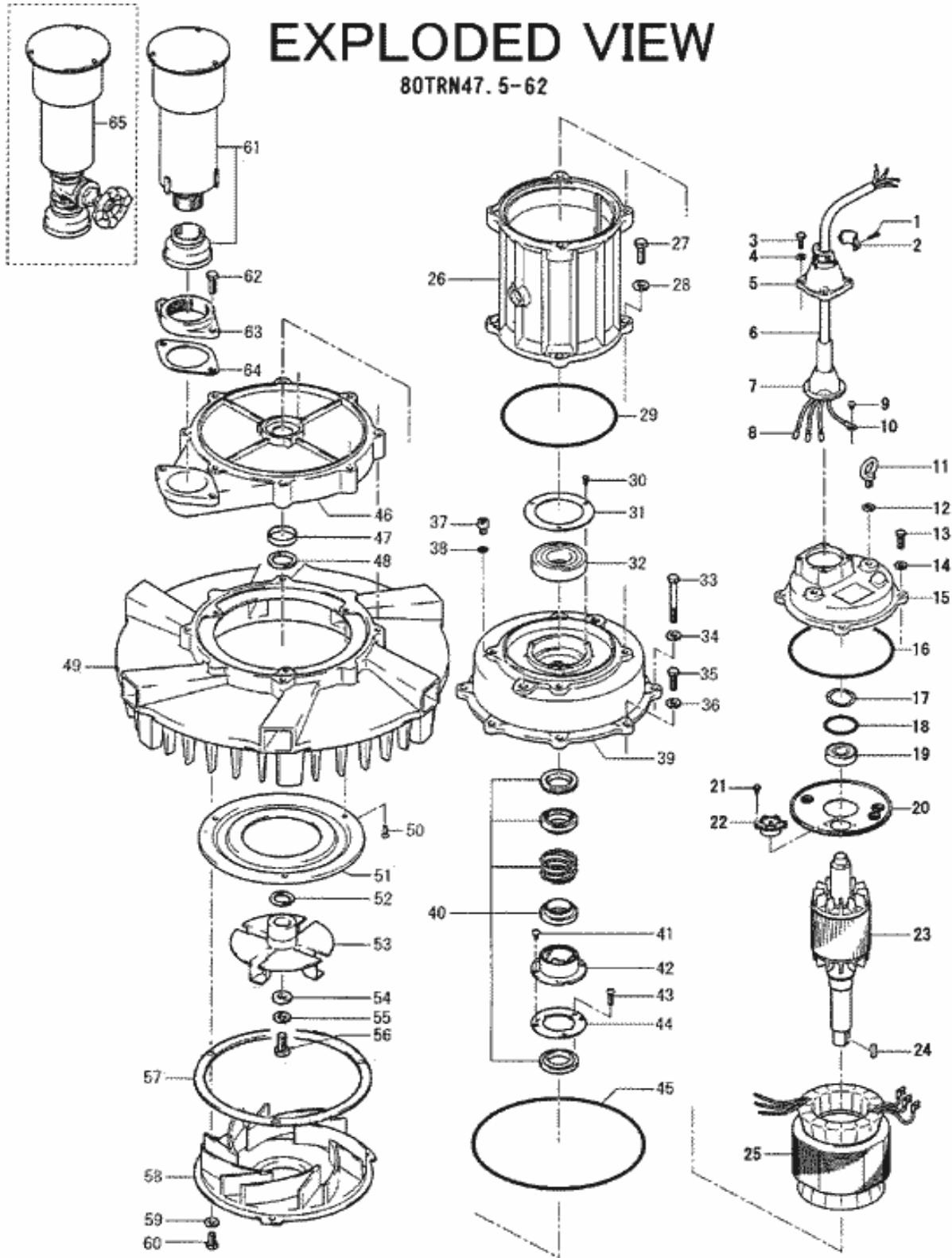


PARTS LIST		SUBMERSIBLE AERATOR			Date: 6/12/2012	
ITEM	PART No.	DESCRIPTION	QTY	SIZE	MATERIAL	NOTES
1	140-035-14	Hex.Bolt	2	M6x20	SUS304	
2	070-107-18	Cable Clamp	1		FC	
3	140-055-10	Hex.Bolt	4	M8x25	SUS304	
4	142-163-18	Spring Washer	4	M8	SUS304	
5	006-126-14	Stuffing Box	1	No.2	FC	
6	001-938-25	Cabtyre Cable Set 230V-60Hz(USA)	1	2PNCT4Cx5.5mm2	KR-2	
	001-938-25	Cabtyre Cable Set 460V-60Hz(USA)	1	2PNCT4Cx5.5mm2	KR-2	
7	008-143-13	Mould Cover 230V-60Hz(USA)	1	KR2-8	CR	
	008-143-13	Mould Cover 460V-60Hz(USA)	1	KR2-8	CR	
8	009-276-19	Compression type Terminal	3	TMNB-5.5(Insulated)		
9	143-085-21	Pan Screw (w/Spring Washer)	1	M4x6	SWRM	
10	009-130-10	Terminal	1	R-5.5-4	CU	
11	072-107-27	Eye Bolt	2	M16	SUS304	
12	142-399-15	Washer		d17xd29x0.1t	SUS304	
	142-400-10	Washer		d17xd29x0.3t	SUS304	
13	140-098-15	Hex.Bolt	4	M12x35	SUS304	
14	142-165-10	Spring Washer	4	M12	SUS304	
15	050-439-10	Motor Bracket	1		FC	
16	122-173-19	O-Ring	1	V-225(222.5xd6)	NBR	
17	142-000-08	Wave Washer	1	6306B(d71xd59x4.0t)	SK5	
18	122-245-13	O-Ring	1	71.4xd3.1	NBR	
19	052-109-14	Bearing	1	6306ZZC3		
20	058-000-09	Lead Wire Protection Plate	1	d86xd224x1.6t	SPHC	
21	143-126-12	Pan Screw (w/Spring Washer/Plain Washer)	2	M4x12	SWRM	
22	053-456-12	Motor Protector 230V-60Hz(USA)	1	KA314-HLBL00	(H.C)	
	053-485-10	Motor Protector 460V-60Hz(USA)	1	KA314-HKXL00	(H.C)	
23	055-000-73	Rotor	1Set			
24	147-067-16	Impeller Key	1	10x8x32l	SUS420	
25	056C0119	Stator 230V-60Hz(USA)	1Set			
	056C0210	Stator 460V-60Hz(USA)	1Set			
26	064-000-12	Motor Frame	1		FC	
27	140-100-11	Hex.Bolt	4	M12x45	SUS304	
28	142-165-10	Spring Washer	4	M12	SUS304	
29	122-173-19	O-Ring	1	V-225(222.5xd6)	NBR	
30	140-032-37	Hex.Bolt	3	M6x15	SWRM	
31	062-224-17	Bearing Fixing Plate	1	d98xd140x4.5t	SS	
32	052-113-11	Bearing	1	6310ZZC3		
33	140-112-16	Hex.Bolt	4	M12x110	SUS304	
34	142-165-10	Spring Washer	4	M12	SUS304	
35	140-099-16	Hex.Bolt	4	M12x40	SUS304	
36	142-165-10	Spring Washer	4	M12	SUS304	
37	035-113-18	Oil Plug	2	M12x14	SUS304	
38	121-247-12	Packing	2	d12.3xd18x2t	PE	
39	060-000-44	Bearing Housing	1		FC	

PARTS LIST		SUBMERSIBLE AERATOR			Date: 6/12/2012	
ITEM	PART No.	DESCRIPTION	QTY	SIZE	MATERIAL	NOTES
40	025-000-38	Mechanical Seal	1	H-40	SiC	
41	143-070-23	Pan Screw	2	M5x6	SWRM	
42	030-141-10	Oil Lifter	1	H-40(T)	Resin	
43	143-070-10	Pan Screw	3	M5x6	SWRM	
44	030-149-18	Seal Stopper	1	H-40/45	SPCC	
45	122-265-19	O-Ring	1	335xd5.7	NBR	
46	018-104-13	Air Passage	1	37/110-TR	FC	
47	026-200-28	Distance Piece	1	37/110-TR	SGP	
48	026-205-10	Oil Seal	1	VC-40586	NBR	
49	019-000-17	Guide Vane	1	80TRN47.5/11	FC	
50	140-000-55	Hex.Socket Cap Bolt	3	M10x20	SUS304	
51	028-000-31	Middle Plate	1	80TRN47.5	SUS410	
52	040-113-14	Impeller Shim		d32.5xd48x0.3t	SUS304	
53	021-007-16	Impeller (60Hz)	1	80TRN47.5-62	SCS1	
54	142-103-10	Impeller Fixing Washer	1	d18xd38x6t	SUS403	
55	142-166-11	Spring Washer	1	M16	SUS304	
56	140-125-12	Hex.Bolt	1	M16x45	SUS304	
57	120-000-18	Packing		P.C360(d335xd388)	PE	
58	022-001-57	Suction Cover(60Hz)	1	80TRN47.5-62	SCS1	
59	142-165-10	Spring Washer	3	M12	SUS304	
60	140-096-13	Hex.Bolt	3	M12x25	SUS304	
61	215-000-08	Silencer Socket Set	1Set	TRN47.5/11-52/62	FCMB	
62	140-099-16	Hex.Bolt	2	M12x40	SUS304	
63	048-137-18	Screwed Flange	1	NPT-3(P.C.140)	FC	
64	121-137-18	Packing	1	MBT(P.C.140)	NBR	
65	215-107-26	Silencer & Valve Set	1Set	75/150-TR(PF-3)	CAC40	
		<Packing O-Ring Set>				
	173-000-70	Packing O-Ring Set	1Set	(Marked by *)		
16	122-173-19	O-Ring (M.Bracket/M.Frame)	1	V-225(222.5xd6)	NBR	
18	122-245-13	O-Ring (Upp. Bearing)	1	71.4xd3.1	NBR	
29	122-173-19	O-Ring (M.Frame/Brq.Housing)	1	V-225(222.5xd6)	NBR	
38	121-247-12	Packing (Oil Plug)	2	d12.3xd18x2t	PE	
45	122-265-19	O-Ring (Brq.Housing/Air Passage)	1	335xd5.7	NBR	
64	121-137-18	Packing(Screwed Flange)	1	MBT(P.C.140)	NBR	
		Lubricant		Turbine Oil VG32 6,000ml		

\* Indicates items included in set

PARTS LIST		SUBMERSIBLE AERATOR				Date: 6/12/2012
ITEM	PART No.	DESCRIPTION	QTY	SIZE	MATERIAL	NOTES



C-00948-1