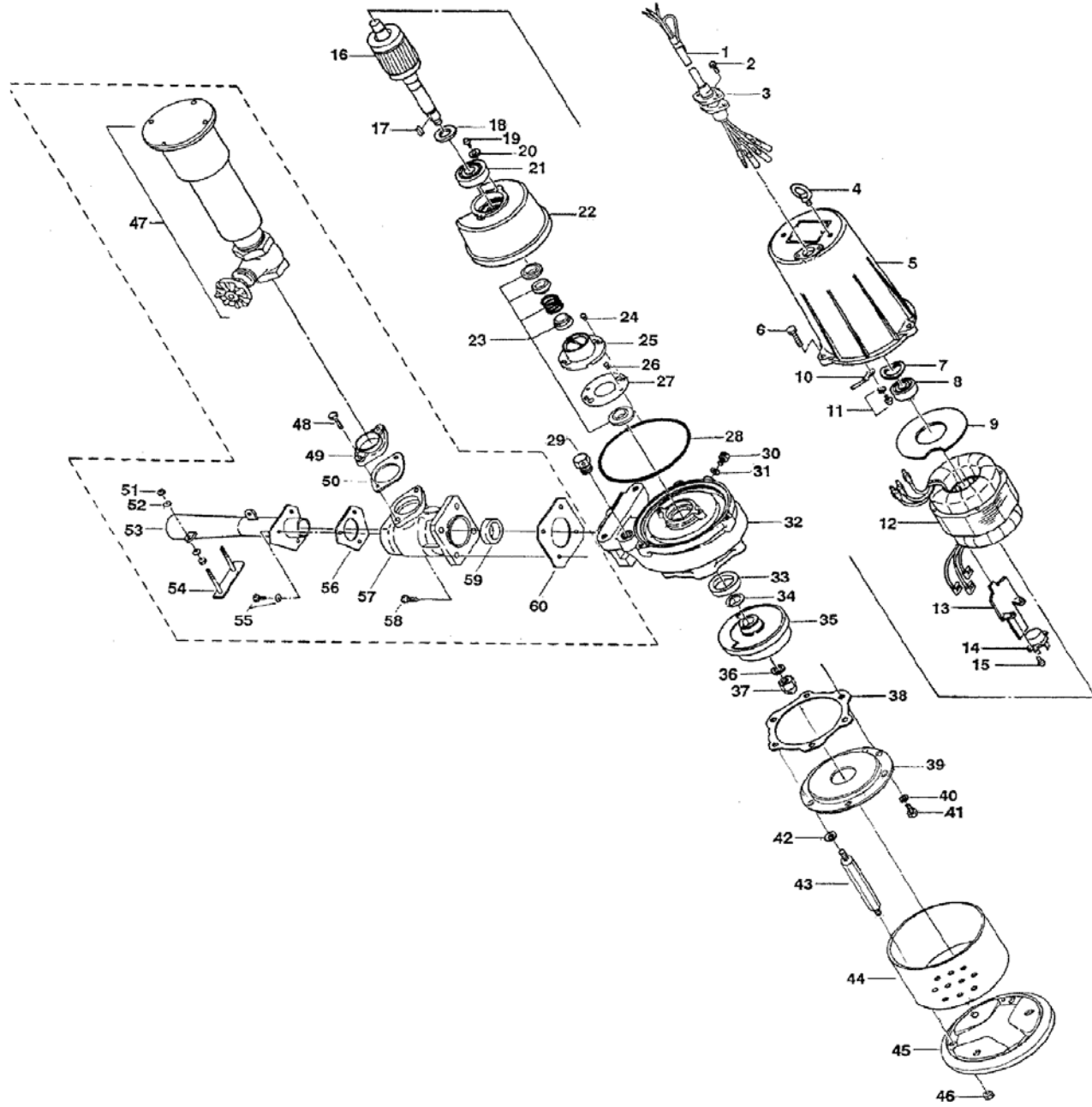


PARTS LIST		SELF ASPIRATING AERATOR			1/9/2013	
ITEM	PART No.	DESCRIPTION	QTY	SIZE	MATERIAL	NOTES
1	001-102-48	Cabtyre Cable Set (6m)220V-60Hz	1	VCT4Cx1.25mm2	LBT	
	001-102-48	Cabtyre Cable Set (6m)380V-50Hz(THA)	1	VCT4Cx1.25mm2	LBT	
	001-102-48	Cabtyre Cable Set (6m)380/400/415V-50Hz	1	VCT4Cx1.25mm2	LBT	
	001-102-48	Cabtyre Cable Set (6m)380V-60Hz	1	VCT4Cx1.25mm2	LBT	
2	140-427-17	Hex.Bolt (w/Plain Washer)	2	M5x15	SUS304	
3	003-190-10	Gland	1		SUS316	
4	072-105-25	Eye Bolt	2	M8	SUS304	
5	064-000-64	Motor Frame	1		FC	
6	140-056-11	Hex.Bolt	3	M8x30	SUS304	
7	142-194-18	Wave Washer	1	6203	SK5	
8	052-186-15	Bearing (w/O-ring)	1	AC-6203ZCC3		
9	058-115-11	Lead Wire Protection Plate	1	d52xd115x1t	Bakelite	
10	009-112-16	Earth Terminal	1Set	1.25mm2		
11	143-085-34	Pan Screw (w/Spring Washer)	1	M4x6	C3604	
12	056-003-27	Stator 220V-60Hz	1Set			
	056-003-31	Stator 380V-50Hz(THA)	1Set			
	056-003-31	Stator 380/400/415V-50Hz	1Set			
	056-003-31	Stator 380V-60Hz	1Set			
13	127-000-32	Protector Fixing Plate	1	P.C.39.5x117L	SECC	
14	053-001-29	Motor Protector 220V-60Hz	1	KA311-DBXL55	(T.C)	
	053-465-14	Motor Protector 380V-50Hz(THA)	1	KA311-DPXL62C	(T.C)	
	053-465-14	Motor Protector 380/400/415V-50Hz	1	KA311-DPXL62C	(T.C)	
	053-465-14	Motor Protector 380V-60Hz	1	KA311-DPXL62C	(T.C)	
15	143-126-12	Pan Screw (w/Spring Washer/Plain Washer)	2	M4x12	SWRM	
16	055-001-18	Rotor	1Set	w/Bearing		
17	147-038-18	Impeller Key	1	5x5x15.5l	SUS420	
18	061-000-03	Bearing Collar	1	d20xd30x4.5t	FC	
19	140-000-23	Hex.Bolt (w/Spring Washer)	2	M5x10	SWRM	
20	062-187-17	Bearing Fixing Washer	2	d5.5xd18x2.3t	SPC	
21	052-107-12	Bearing	1	6304ZCC3		
22	060-000-64	Bearing Housing	1		FC	
23	025-252-19	Mechanical Seal	1	H-20A	SiC+CCBN	
24	143-070-23	Pan Screw	2	M5x6	SWRM	
25	030-144-13	Oil Lifter	1	H-20(A)(T)	Resin	
26	143-070-10	Pan Screw	2	M5x6	SWRM	
27	030-153-15	Seal Stopper	1	H-20(A)	SPCC	
28	122-072-17	O-Ring	1	P-140(139.6xd5.7)	NBR	
29	046-107-13	Air Release Valve	1	PT-1/2	Nylon	
30	035-112-17	Oil Plug	1	M8x12	SUS304	
31	121-248-13	Packing	1	d8.2xd13.5x2t	PE	
32	020-609-10	Pump Casing	1	8-BE2	FC	
33	026-107-11	Oil Seal	1	TC-32488	NBR	
34	040-104-25	Impeller Shim		d18.2xd29x0.3t	SUS304	
35	021-720-11	Impeller (50Hz)	1	8-BER4	FC	

PARTS LIST		SELF ASPIRATING AERATOR				1/9/2013
ITEM	PART No.	DESCRIPTION	QTY	SIZE	MATERIAL	NOTES

EXPLODED VIEW

8-BER4



C-00640-1