

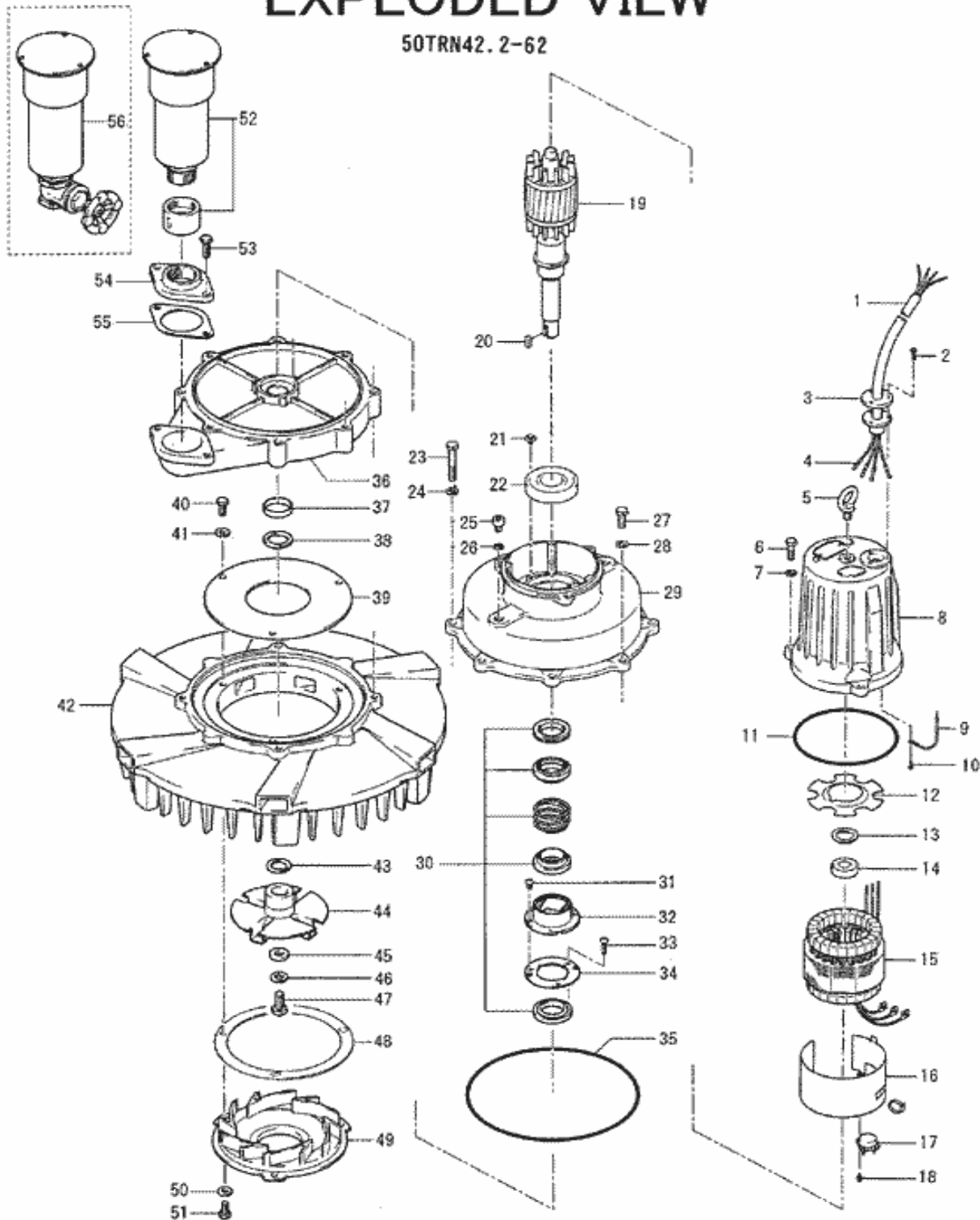
PARTS LIST		SUBMERSIBLE AERATOR			8/20/2012	
ITEM	PART No.	DESCRIPTION	QTY	SIZE	MATERIAL	NOTES
1	001-001-82	Cable Set(10m)230V-60Hz(USA)	1	VCT4Cx2mm2	BE(40)	
	001-001-82	Cable Set(10m)460V-60Hz(USA)	1	VCT4Cx2mm2	BE(40)	
2	140-021-17	Hex.Bolt	3	M5x20	SUS304	
3	003-000-13	Gland	1	BECE(P.C.40)	SUS304	
4	009-105-16	Solderless Terminal	4	2mm2	CU	
5	072-102-22	Eye Bolt	1	M12	SUS304	
6	140-057-12	Hex.Bolt	3	M8x35	SUS304	
7	142-163-18	Spring Washer	3	M8	SUS304	
8	064-000-44	Motor Frame	1		FC	
9	009-293-12	Earth Terminal	1Set	2mm2x180L		interchangable with OLD part# 009-212-17 (L=130)
10	143-085-34	Pan Screw (w/Spring Washer)	1	M4x6	C3604	
11	122-333-19	O-Ring	1	170xd3.1	NBR	
12	058-000-13	Lead Wire Protection Plate	1	d61xd132x2t	Bakelite	
13	142-389-12	Wave Washer	1	6204	SK5	
14	052-187-16	Bearing (w/O-ring)	1	AC-6204ZZC3		
15	056-001-34	Stator 230V-60Hz(USA)	1Set			
	056-001-41	Stator 460V-60Hz(USA)	1Set			
16	127-000-22	Protector Fixing Plate	1	KA313,d145,90	SECC	
17	053-477-19	Motor Protector 230V-60Hz(USA)	1	KA313-GQXL104	(T.C)	
	053-518-13	Motor Protector 460V-60Hz(USA)	1	KA313-GDXL103	(T.C)	
18	143-126-12	Pan Screw (w/Spring Washer/Plain Washer)	2	M4x12	SWRM	
19	055-000-76	Rotor	1Set			
20	147-081-16	Impeller Key	1	7x7x22l	SUS420	
21	140-000-06	Hex.Bolt (w/Spring Washer/Plain Washer)	3	M6x12	SWCH	
22	052-112-10	Bearing	1	6309ZZC3		
23	140-112-16	Hex.Bolt	4	M12x110	SUS304	
24	142-165-10	Spring Washer	4	M12	SUS304	
25	035-113-18	Oil Plug	2	M12x14	SUS304	
26	121-247-12	Packing	2	d12.3xd18x2t	PE	
27	140-099-16	Hex.Bolt	4	M12x40	SUS304	
28	142-165-10	Spring Washer	4	M12	SUS304	
29	060-000-45	Bearing Housing	1		FC	
30	025-194-12	Mechanical Seal	1	H-30	SiC	
31	143-070-23	Pan Screw	2	M5x6	SWRM	
32	030-142-11	Oil Lifter	1	H-30(A)(T)	Resin	
33	143-070-10	Pan Screw	3	M5x6	SWRM	
34	030-151-13	Seal Stopper	1	H-30(A)(T)	SPCC	
35	122-265-19	O-Ring	1	335xd5.7	NBR	
36	018-103-12	Air Passage	1	22-TR	FC	
37	026-199-23	Distance Piece	1	22-TR	SGP	
38	026-000-09	Oil Seal	1	VC-30486	NBR	
39	028-000-28	Middle Plate	1	50TRN42.2	SUS410	
40	140-096-13	Hex.Bolt	3	M12x25	SUS304	
41	142-165-10	Spring Washer	3	M12	SUS304	



PARTS LIST		SUBMERSIBLE AERATOR			8/20/2012	
ITEM	PART No.	DESCRIPTION	QTY	SIZE	MATERIAL	NOTES

## EXPLODED VIEW

50TRN42.2-62



C-00946-1