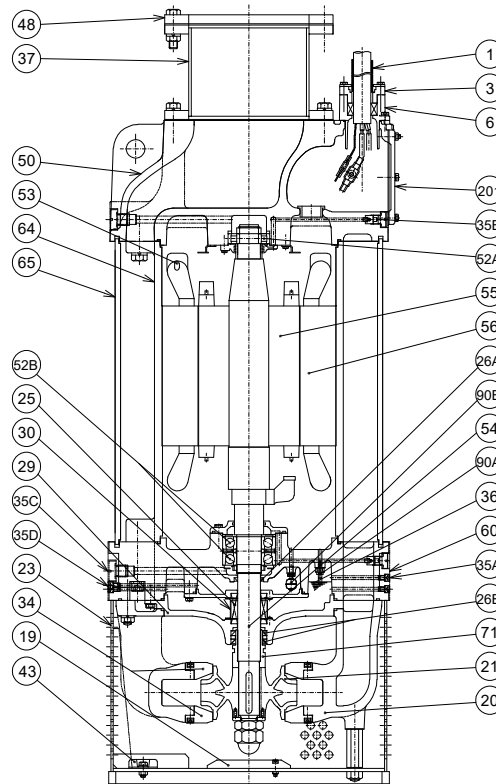


LH12185D -61



ITEM#	DESCRIPTION	MAIN MATERIAL / NOTE	ASTM, AISI CODE	RELATED EN CODE	Q'TY
1	Power Cable	Chloroprene Sheath AWG 1/0 /3, 4/1 -65ft			1
	Power Cable	Chloroprene Sheath AWG 1/0 /3, 4/1 -65ft			1
	Control Cable	Chloroprene Sheath AWG 18/5 -65ft			1
3	Gland	Cast Iron	A48M Class30B	EN 1561 GJL-200	2
6	Stuffing Box	Cast Iron	A48M Class30B	EN 1561 GJL-200	2
19	Guide Plate	Steel	A283 Grade D	EN 10025 S275	1
20	Pump Casing	Cast Iron	A48M Class30B	EN 1561 GJL-200	1
21	Impeller	High Chrome Cast Iron	A532 Class III TypeA	DIN 1695 G-X260Cr27	1
23	Suction Strainer	Steel (Cold Rolled)	A109 / A1008	EN 10130	1
25	Mechanical Seal	Silicon Carbide / H-60P			1
26A	Oil Seal	NBR / TC709513			1
26B	Oil Seal	NBR / TC709513			2
29	Oil Casing	Cast Iron	A48M Class30B	EN 1561 GJL-200	1
30	Oil Lifter	Steel (Cold Rolled)	A109 / A1008	EN 10130	1
34	Suction Mouth	High Chrome Cast Iron	A532 Class III TypeA	DIN 1695 G-X260Cr27	2
35A	Oil Plug	Stainless Steel	S 30400	1.4301	3
35B	Grease Plug	Stainless Steel	S 30400	1.4301	2
35C	Grease Plug	Stainless Steel	S 30400	1.4301	2
35D	Drain Plug	Stainless Steel	S 30400	1.4301	1
36	Lubricant	Turbine Oil ISO VG32 or SAE 10W-20			
37	Discharge Pipe	Steel Pipe (& Steel) / 12" JIS10K	A53 Type F (& A283 Grade D)	DIN 1615 St 33 (& EN 10025 S275)	1
43	Cathodic Protection Plate	Aluminum Alloy			4
48	Welded Flange	Steel / 12" JIS10K	A283 Grade D	EN 10025 S275	1
50	Motor Bracket	Cast Iron	A48M Class30B	EN 1561 GJL-200	1
52A	Upper Bearing	#NU310MC3			1
52B	Lower Bearing	#7313BTDB with Spacer			1
53	Motor Protector				3
54	Shaft	Stainless Steel	S 42000	1.4028	1
55	Rotor				1
56	Stator				1
60	Bearing Housing	Cast Iron	A48M Class30B	EN 1561 GJL-200	1
64	Motor Housing	Cast Iron	A48M Class30B	EN 1561 GJL-200	1
65	Outer Cover	Steel	A283 Grade D	EN 10025 S275	1
71	Shaft Sleeve	Stainless Steel	S 40300	1.4000	1
90A	Leakage Sensor (Electrode)	Stainless Steel	S 42000	1.4028	1
90B	Leakage Sensor (Float)				1
201	Terminal Box Lid	Cast Iron	A48M Class30B	EN 1561 GJL-200	1