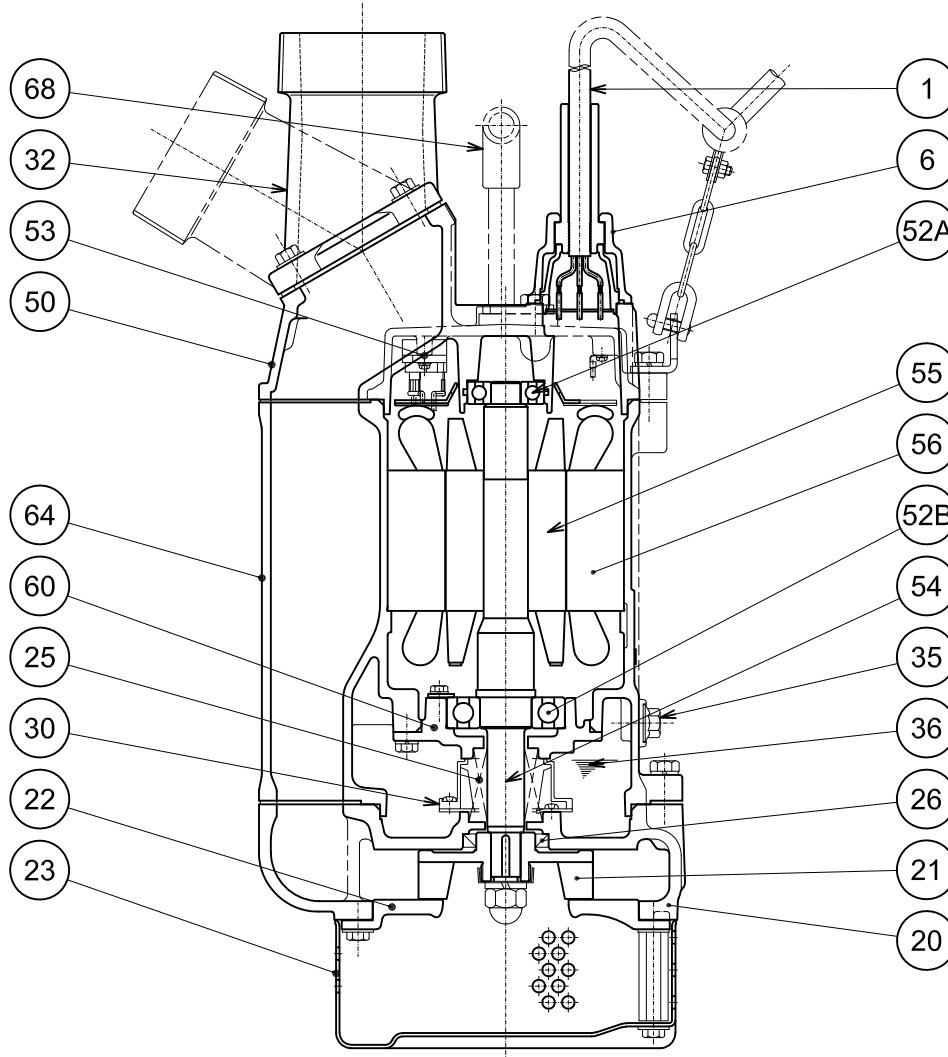


**KTZ23.7-63
KTZ33.7-63
KTZ43.7-63**



ITEM#	DESCRIPTION	MAIN MATERIAL / NOTE	ASTM, AISI CODE	RELATED DIN CODE	Q'TY
1	Power Cable	PVC Sheath AWG14/4-50ft			1
6	Stuffing Box	Cast Iron	A48M Class30B	EN 1561 GJL-200	1
20	Pump Casing	Cast Iron	A48M Class30B	EN 1561 GJL-200	1
21	Impeller	High Chrome Cast Iron	A532 Class III TypeA	DIN 1695 G-X260Cr27	1
22	Suction Cover	Ductile Cast Iron	A536 80-55-06	EN 1563 GJS-500-7	1
23	Suction Strainer	Steel (Cold Rolled)	A109/A1008	EN 10130	1
25	Mechanical Seal	Silicon Carbide / HT-25T			1
26	Oil Seal	NBR / TC-40588			1
30	Oil Lifter	PBT Resin			1
32	Discharge Connection	Cast Iron / NPT 2", 3" or 4"	A48M Class30B	EN 1561 GJL-200	1
35	Oil Plug	Stainless Steel	S30400	1.4301	1
36	Lubricant	Turbine Oil ISO VG32 or SAE 10W-20			
50	Motor Bracket	Cast Iron	A48M Class25B	EN 1561 GJL-150	1
52A	Upper Bearing	#6304ZZC3			1
52B	Lower Bearing	#6307ZZC3			1
53	Motor Protector				1
54	Shaft	Stainless Steel	S42000	1.4028	1
55	Rotor				1
56	Stator				1
60	Bearing Housing	Cast Iron	A48M Class30B	EN 1561 GJL-200	1
64	Motor Housing	Cast Iron	A48M Class30B	EN 1561 GJL-200	1
68	Handle	Carbon Steel Pipe + NBR	A53 Type F	DIN 1615 St 33	1