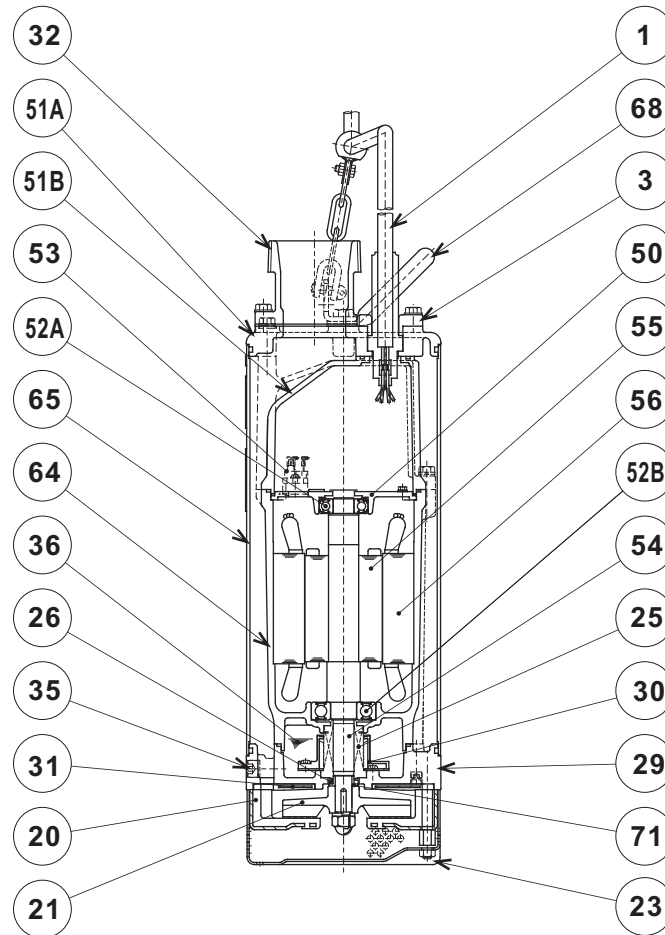


**LBT-1500-60**


HG Á	DESCRIPTION	MAIN MATERIAL / NOTE	RELATED ASTM, AISI CODE	RELATED EN CODE	Q'TY
1	Power Cable	Chloroprene Sheath AWG16/4-50ft			1
3	Gland	Aluminum Alloy Die Casting	B85 383.0	EN 1706 AC-46100	1
20	Pump Casing	Butadiene Rubber + Natural Rubber + Steel (Cold Rolled)	(A109/A1008)	(EN 10130)	1
21	Impeller	High Chrome Cast Iron	A532 Class III Type A	DIN 1695 G-X260Cr27	1
23	Suction Strainer	Steel (Cold Rolled)	A109/A1008	EN 10130	1
25	Mechanical Seal	Silicon Carbide / H-20T			1
26	V-Ring	Nitrile Butadiene Rubber			1
29	Oil Casing	Cast Iron	A48M Class30B	EN 1561 GJL-200	1
30	Oil Lifter	PBT Resin			1
31	Wearing Plate	Butadiene Rubber + Natural Rubber			1
32	Discharge Connection	Cast Iron / NPT 3"	A48M Class30B	EN 1561 GJL-200	1
35	Oil Plug	Stainless Steel	S 30400	1.4301	1
36	Lubricant	Turbine Oil ISO VG32 or SAE10W-20			
50	Motor Bracket	Aluminum Alloy Die Casting	B85 383.0	EN 1706 AC-46100	1
51A	Pump Head Cover	Aluminum Alloy Die Casting	B85 383.0	EN 1706 AC-46100	1
51B	Motor Head Cover	Aluminum Alloy Die Casting	B85 383.0	EN 1706 AC-46100	1
52A	Upper Bearing	AC-#6204ZZC3			1
52B	Lower Bearing	#6305ZZC3			1
53	Motor Protector				1
54	Shaft	Stainless Steel	S 40300	1.4000	1
55	Rotor				1
56	Stator				1
64	Motor Housing	Aluminum Alloy Die Casting	B85 383.0	EN 1706 AC-46100	1
65	Outer Cover	Steel (Cold Rolled)	A109/A1008	EN 10130	1
68	Handle	Steel Pipe	A53 Type F	DIN 1615 St 33	1
71	Shaft Sleeve	Stainless Steel	S 30400	1.4301	1