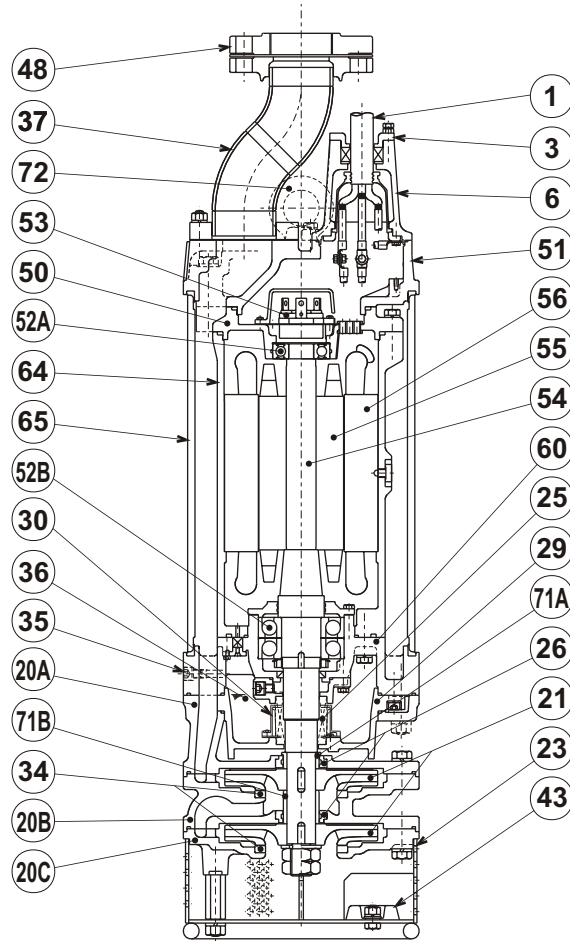




LH-W SERIES
HIGH HEAD - DEWATERING PUMPS

SECTIONAL VIEW

LH322W-61



| ITEM# | DESCRIPTION | MAIN MATERIAL / NOTE | ASTM, AISI CODE | RELATED EN CODE | Q'TY |
|-------|---------------------------|------------------------------------|-----------------------------|----------------------------------|------|
| 1 | Power Cable | Chloroprene Sheath AWG4/4-65ft | | | 1 |
| 3 | Gland | Cast Iron | A48M Class30B | EN 1561 GJL-200 | 1 |
| 6 | Stuffing Box | Cast Iron | A48M Class30B | EN 1561 GJL-200 | 1 |
| 20A | Upper Pump Casing | Cast Iron | A48M Class30B | EN 1561 GJL-200 | 1 |
| 20B | Middle Pump Casing | Cast Iron | A48M Class30B | EN 1561 GJL-200 | 1 |
| 20C | Lower Pump Casing | Cast Iron | A48M Class30B | EN 1561 GJL-200 | 1 |
| 21 | Impeller | High Chrome Cast Iron | A532 Class TypeA | DIN 1695 G-X260Cr27 | 2 |
| 23 | Suction Strainer | Steel | A283 Grade D | EN 10025 S275 | 1 |
| 25 | Mechanical Seal | Silicon Carbide / HT-4550N | | | 1 |
| 26 | Labyrinth Ring | Stainless Steel | S 30400 | 1.4301 | 2 |
| 29 | Oil Casing | Cast Iron | A48M Class30B | EN 1561 GJL-200 | 1 |
| 30 | Oil Lifter | PBT Resin W/GF40 | | | 1 |
| 34 | Mouth Ring | High Chrome Cast Iron | A532 Class TypeA | DIN 1695 G-X260Cr27 | 2 |
| 35 | Oil Plug | Stainless Steel | S 30400 | 1.4301 | 3 |
| 36 | Lubricant | Turbine Oil ISO VG32 or SAE 10W-20 | | | |
| 37 | Discharge Pipe | Steel Pipe (& Steel) / 3" JIS20K | A53 Type F (& A283 Grade D) | DIN 1615 St 33 (& EN 10025 S275) | 1 |
| 43 | Cathodic Protection Plate | Aluminium Alloy | | | 2 |
| 48 | Companion Flange | Cast Iron / NPT 3" JIS20K | A48M Class30B | EN 1561 GJL-200 | 1 |
| 50 | Motor Bracket | Cast Iron | A48M Class30B | EN 1561 GJL-200 | 1 |
| 51 | Head Cover | Cast Iron | A48M Class30B | EN 1561 GJL-200 | 1 |
| 52A | Upper Bearing | #6307ZZC3 | | | 1 |
| 52B | Lower Bearing | #7311ADBC3 | | | 1 |
| 53 | Motor Protector | | | | 1 |
| 54 | Shaft | Stainless Steel | S 42000 | 1.4028 | 1 |
| 55 | Rotor | | | | 1 |
| 56 | Stator | | | | 1 |
| 60 | Bearing Housing | Cast Iron | A48M Class30B | EN 1561 GJL-200 | 1 |
| 64 | Motor Housing | Cast Iron | A48M Class30B | EN 1561 GJL-200 | 1 |
| 65 | Outer Cover | Steel | A283 Grade D | EN 10025 S275 | 1 |
| 71A | Shaft Sleeve (Upper) | Stainless Steel | S 40300 | 1.4000 | 1 |
| 71B | Shaft Sleeve (Lower) | Stainless Steel | S 40300 | 1.4000 | 1 |
| 72 | Lifting Lug Bolt | Stainless Steel | S 30400 | 1.4301 | 2 |