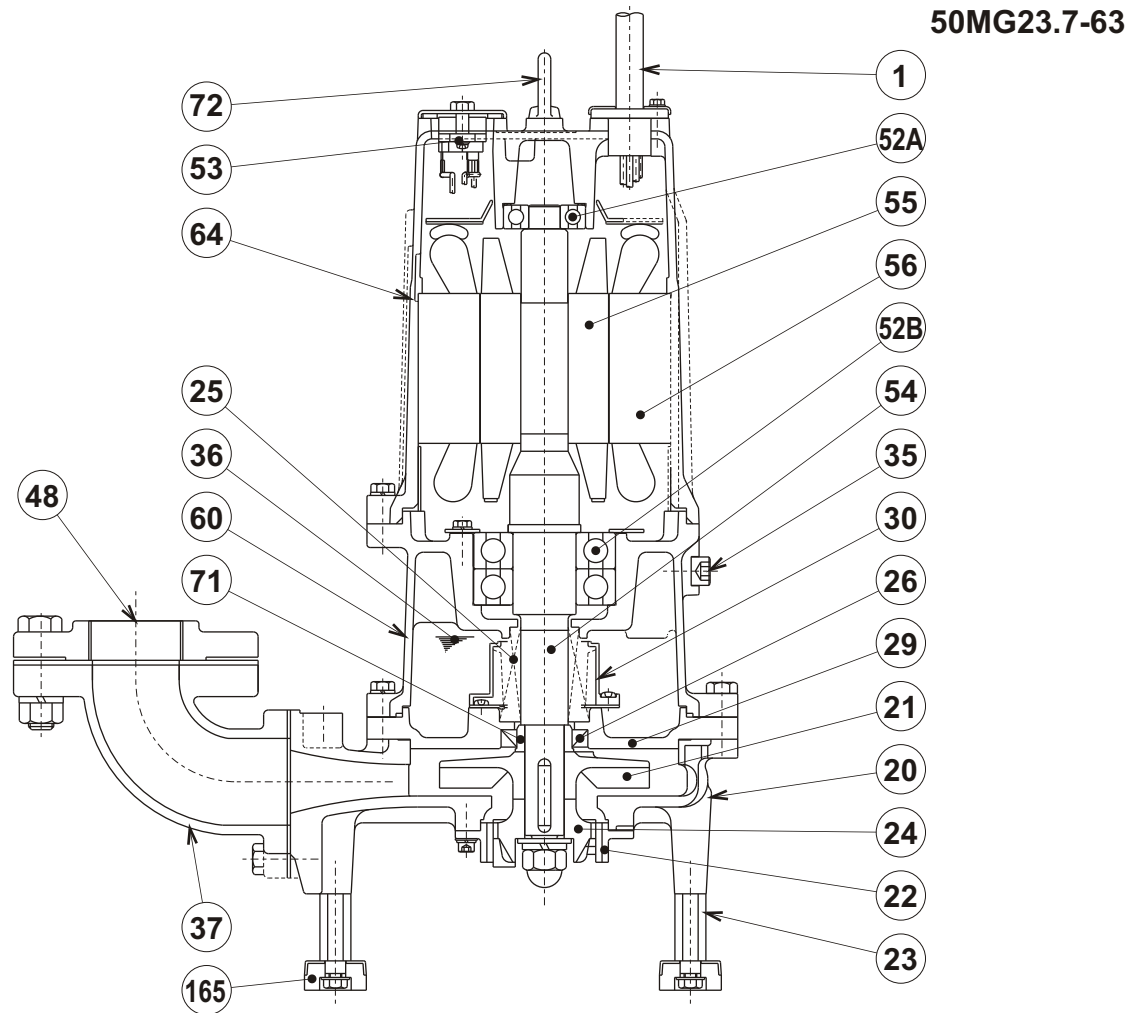



TSURUMI PUMP
**MG - SERIES
GRINDER PUMPS**
SECTIONAL VIEW


PART#	DESCRIPTION	MAIN MATERIAL / NOTE	ASTM, AISI CODE	RELATED DIN CODE	QTY
1	Power Cable	PVC Sheath AWG12/4- 32ft			1
20	Pump Casing	Cast Iron	A48M Class30B	EN 1561 GJL-200	1
21	Impeller	Cast Iron	A48M Class30B	EN 1561 GJL-200	1
22	Stationary Blade	High Chrome Cast Iron (hardened)	A532 Class TypeA	DIN 1695 G-X260Cr27	1
23	Pump Stand	Stainless Steel	S 41000	1.4006	3
24	Rotatory Blade	High Chrome Cast Iron (hardened)	A532 Class TypeA	DIN 1695 G-X260Cr27	1
25	Mechanical Seal	Silicon Carbide/H-30T			1
26	Oil Seal	Nitril Butadiene Rubber/TC355511			1
29	Oil Casing	Cast Iron	A48M Class30B	EN 1561 GJL-200	1
30	Oil Lifter	PBT Plastic W/(GF+MD)40			1
35	Oil Plug	Stainless Steel	S 30400	1.4301	1
36	Lubricant	Turbine Oil ISO VG32 or SAE 10W-20			
37	Discharge Bend	Cast Iron	A48M Class30B	EN 1561 GJL-200	1
48	Companion Flange	Cast Iron/NPT 2"	A48M Class30B	EN 1561 GJL-200	1
52A	Upper Bearing	#6204ZZC3			1
52B	Lower Bearing	#6307ZZD2C3			1
53	Motor Protector				1
54	Shaft	Stainless Steel	S 42000	1.4028	1
55	Rotor				1
56	Stator				1
60	Bearing Housing	Cast Iron	A48M Class25B	EN 1561 GJL-150	1
64	Motor Housing	Cast Iron	A48M Class25B	EN 1561 GJL-150	1
71	Shaft Sleeve	Stainless Steel	S 40300	1.4000	1
72	Lifting Lug Bolt	Stainless Steel	S 30400	1.4301	1
165	Rubber Cushion	Nitril Butadiene Rubber			3