

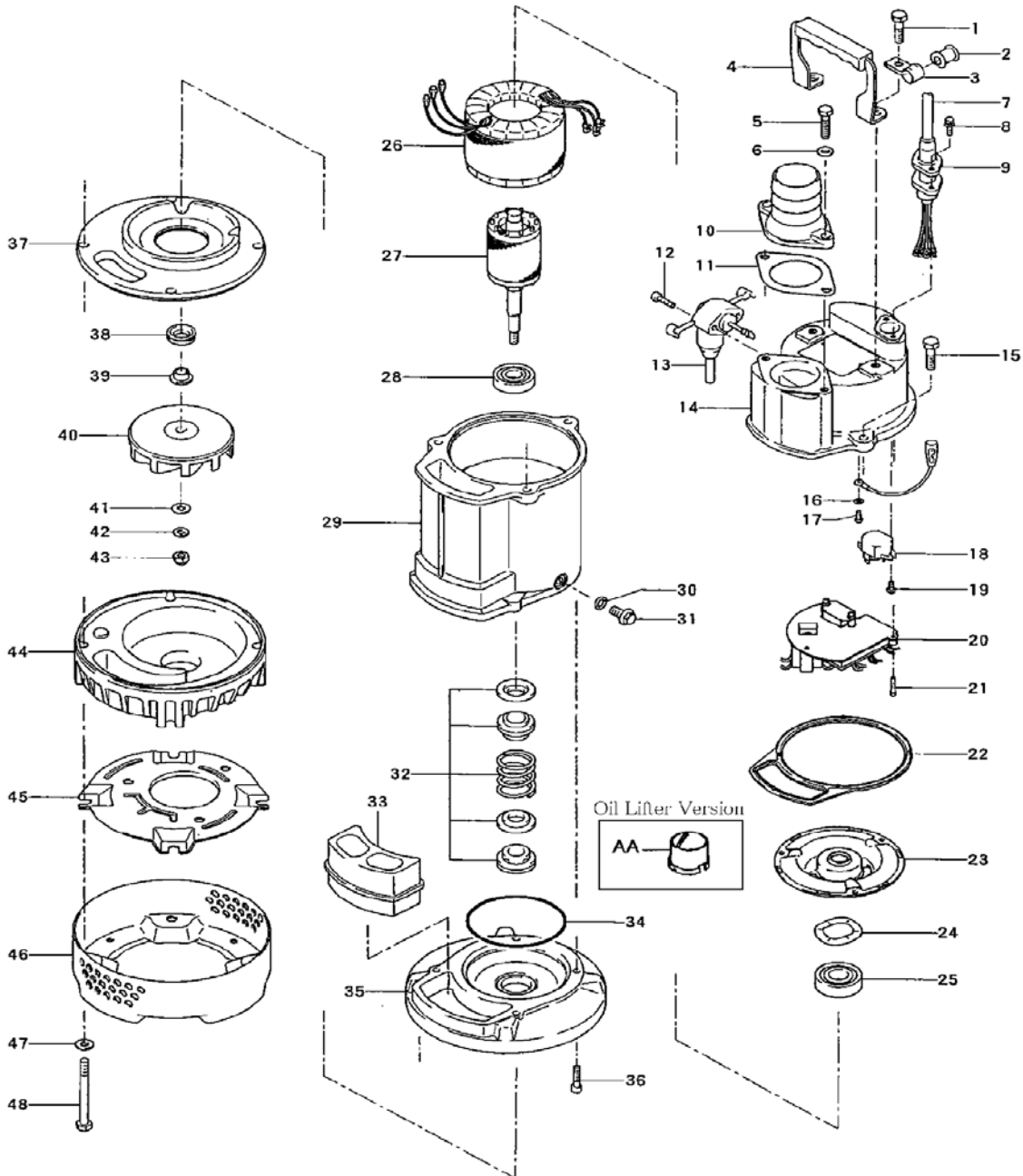
PARTS LIST		LIGHTWEIGHT DEWATERING PUMP			12/12/2013	
ITEM	PART No.	DESCRIPTION	QTY	SIZE	MATERIAL	NOTES
1	140-054-19	Hex.Bolt	2	M8x20	SUS304	
2	010-126-17	Cable Clip Rubber	1	HS2	NBR	
3	010-130-14	Cable Clip	1	HK2-4/15	SPC	
4	068-136-22	Handle	1	LB	SPC+NBR	
5	140-055-23	Hex.Bolt	2	M8x25	SUS410	
6	142-210-11	Plain Washer	2	d8.6xd13.4x1t	SUS304	
7	001-803-33	Cabtyre Cable Set (50') 60Hz(USA)	1	VCT4Cx1.25mm2	LBT	
8	140-427-17	Hex.Bolt (w/Plain Washer)	2	M5x15	SUS304	
9	003-190-10	Gland	1		SUS316	
10	032-214-11	Hose Coupling	1	LB-400(NPT-2)	FC	
11	121-138-19	Packing	1	LB(P.C.84)	NBR	*
12	140-427-17	Hex Bolt with Plain Washer	2	M5x15	SUS304	replaces 143-031-22 pan screw
13	090-000-40	Electrode Level Sensor (for USA)	1Set	KTVE	CR	interchangable with OLD part# 090-115-11(rev 1) and 090-000-23 (rev2)
14	051-257-15	Motor Head Cover	1		ADC	
15	140-055-10	Hex.Bolt	3	M8x25	SUS304	
16	142-124-46	Plain Washer	1	M4	C3604	
17	143-013-31	Pan Screw	1	M4x6	C3604	
18	053-509-11	Motor Protector 220V-60Hz(USA)	1	KA311-DATL82C	(T.C)	
	053-443-16	Motor Protector 440V-60Hz(USA)	1	KA311-DAXL68	(T.C)	
19	143-126-12	Pan Screw (w/Spring Washer/Plain Washer)	2	M4x12	SWRM	
20	114-166-14	Relay Unit 220V-60Hz(USA)	1Set	EL-3 (200V)		
	114-175-16	Relay Unit 440V-60Hz(USA)	1Set	EL-3 (380-500V)		
21	143-191-18	Pan Screw (w/Spring Washer/Plain Washer)	3	M4x20	SWRM	
22	121-455-15	Packing	1	KTV2-8	CR	*
23	050-408-10	Motor Bracket	1		SPHC	
24	142-194-18	Wave Washer	1	6203	SK5	
25	052-102-17	Bearing	1	6203ZZC3		
26	056B7018	Stator 220V-60Hz(USA)	1Set			
	056-002-43	Stator 440V-60Hz(USA)	1Set			
27	055-678-18	Rotor	1Set			
28	052-103-18	Bearing	1	6204ZZC3		
29	064-473-19	Motor Frame	1		ADC	
30	121-248-13	Packing	1	d8.2xd13.5x2t	PE	*
31	035-126-14	Oil Plug	1	M8x16(B=13)	SUS304	
32	025-000-05	Mechanical Seal	1	W-14VC	SSIC	
33	121-001-05	Packing (Water Way, Low.)	1	KTV2-8	SBR	*
34	122-131-15	O-Ring	1	G-100(99.4xd3.1)	NBR	*
35	029-407-13	Oil Casing	1	KTV2-8	ADC	
36	140-253-10	Hex.Socket Cap Bolt	4	M6x25	SUS304	
37	031-141-26	Wear Ring	1	KTV2-8	Rubber	
38	122-441-11	V-Ring	1	VR-14	NBR	
39	071-292-14	Shaft Sleeve	1	LB3-250/480	SUS304	
40	021-007-53	Impeller (60Hz)	1	KTVE2.75-60	Urethane Rubber	
41	142-127-23	Plain Washer	1	M8	SPC	

PARTS LIST		LIGHTWEIGHT DEWATERING PUMP			12/12/2013	
ITEM	PART No.	DESCRIPTION	QTY	SIZE	MATERIAL	NOTES
42	142-163-18	Spring Washer	1	M8	SUS304	
43	141-030-12	Hex.Cap Nut	1	M8	SUS304	
44	020-881-34	Pump Casing	1	KTV2-8	BR+NR	
45	127-251-17	Fixing Plate	1	KTV2-8	SPCC	
46	023-439-16	Strainer Stand	1	KTV2-8	SPCC	
47	142-127-23	Plain Washer	4	M8	SPC	
48	140-064-12	Hex.Bolt	4	M8x70	SUS304	
		<Oil Lifter Version>				
AA	030-132-18	Oil Lifter	1	KTV2-8	Resin	
		Packing O-Ring Set				
	173-490-13	Packing O-Ring Set	1Set	(Marked by *)		
11	121-138-19	Packing (Hose Coupling)	1	LB(P.C.84)	NBR	*
22	121-455-15	Packing (Head Cover/M.Frame)	1	KTV2-8	CR	*
30	121-248-13	Packing (Oil Plug)	1	d8.2xd13.5x2t	PE	*
33	121-001-05	Packing (Water Way, Low.)	1	KTV2-8	SBR	*
34	122-131-15	O-Ring (M.Frame/O.Casing)	1	G-100(99.4xd3.1)	NBR	*
		Lubricant		Turbine Oil VG32 150ml		

PARTS LIST		LIGHTWEIGHT DEWATERING PUMP			12/12/2013	
ITEM	PART No.	DESCRIPTION	QTY	SIZE	MATERIAL	NOTES

EXPLODED VIEW

KTVE2.75-50/60



C-00277-1