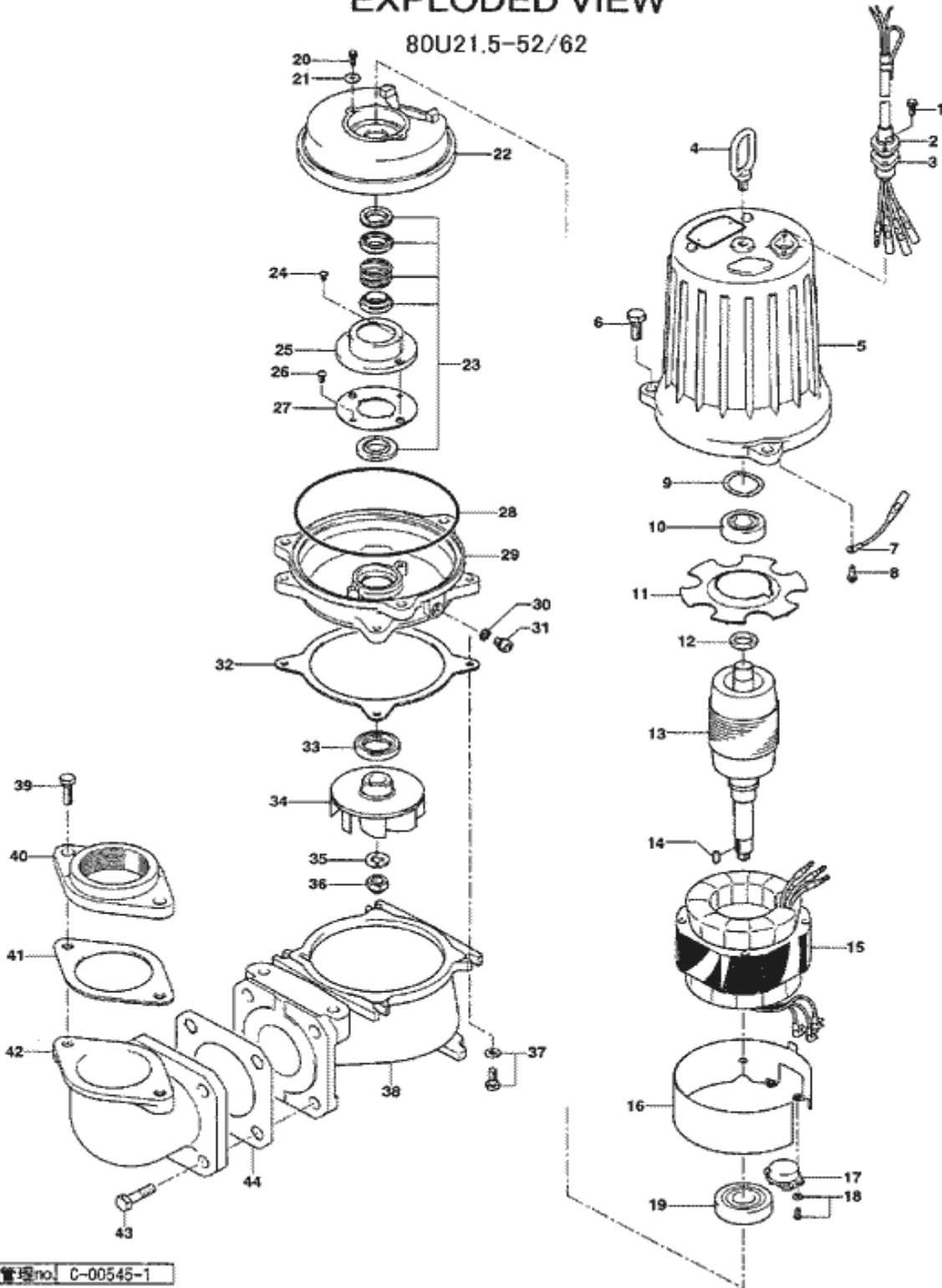


PARTS LIST		SEWER & WASTEWATER PUMPS			Date: 6/04/2012	
ITEM	PART No.	DESCRIPTION	QTY	SIZE	MATERIAL	NOTES
1	140-427-17	Hex.Bolt (w/Plain Washer)	2	M5x15	SUS304	
2	003-190-10	Gland	1		SUS316	
3	001-803-20	Cabletyre Cable Set (10m)	1	VCT4Cx1.25mm2	LBT	
4	072-000-03	Eye Bolt	1	M10	SUS304	
5	064-000-08	Motor Frame	1		FC	
6	140-076-17	Hex.Bolt	3	M10x30	SUS304	
7	009-211-16	Earth Terminal	1Set	1.25mm2x120L		
8	143-085-34	Pan Screw (w/Spring Washer)	1	M4x6	C3604	
9	142-389-12	Wave Washer	1	6204	SK5	
10	052-187-16	Bearing (w/O-ring)	1	AC-6204ZC3		
11	058-000-13	Lead Wire Protection Plate	1	d61xd132x2t	Bakelite	
12	061-174-18	Slinger	1	d20xd27x2t	SPC	
13	055-000-01	Rotor	1Set			
14	147-038-18	Impeller Key	1	5x5x15.5l	SUS420	
15	056-001-12	Stator 220V-60Hz	1Set			
15	056-001-14	Stator 380/420V-50Hz 380/460V-60Hz	1Set			
16	127-000-26	Protector Fixing Plate	1	KA313.d145	SPCC	
17	053-000-01	Motor Protector 220V-60Hz	1	KA313-GBTL103	(T.C)	
17	053-000-10	Motor Protector 380/420V-50Hz 380/460V-60Hz	1	KA311-DPXL78	(T.C)	
18	143-126-12	Pan Screw (w/Spring Washer/Plain Washer)	2	M4x12	SWRM	
19	052-108-13	Bearing	1	6305ZZC3		
20	140-000-23	Hex.Bolt (w/Spring Washer)	2	M5x10	SWRM	
21	062-187-17	Bearing Fixing Washer	2	d5.5xd18x2.3t	SPC	
22	060-000-16	Bearing Housing	1		FC	
23	025-192-10	Mechanical Seal	1	H-20	SIC	
24	143-070-23	Pan Screw	2	M5x6	SWRM	
25	030-144-13	Oil Lifter	1	H-20(A)(T)	Resin	
26	143-070-10	Pan Screw	2	M5x6	SWRM	
27	030-153-15	Seal Stopper	1	H-20(A)	SPCC	
28	122-145-12	O-Ring	1	G-170(169.3xd5.7)	NBR	
29	029-264-16	Oil Casing	1	U-50-15	FC	
30	121-246-11	Packing	1	d10.3xd16x2t	PE	
31	035-124-12	Oil Plug	1	M10x15	SUS304	
32	121-398-19	Packing	1	d145xd165x3t	NBR	
33	026-107-11	Oil Seal	1	TC-32488	NBR	
34	021D9513	Impeller (60Hz)	1	80U21.5-62	FC	
35	142-165-10	Spring Washer	1	M12	SUS304	
36	141-032-14	Hex.Cap Nut	1	M12	SUS304	
37	140-477-12	Hex.Bolt (w/Plain Washer)	4	M8x30	SUS304	
38	020-001-33	Pump Casing	1	U-65-15	FC	
39	140-099-16	Hex.Bolt	2	M12x40	SUS304	
40	048-137-18	Screwed Flange	1	NPT-3(P.C.140)	FC	
41	121-137-18	Packing	1	MBT(P.C.140)	NBR	
42	037-118-19	Discharge Bend	1	80mm(123-17)	FC	

PARTS LIST		SEWER & WASTEWATER PUMPS			Date: 6/04/2012	
ITEM	PART No.	DESCRIPTION	QTY	SIZE	MATERIAL	NOTES

EXPLODED VIEW

80U21.5-52/62



管理no. C-00545-1