

PARTS LIST		SEWAGE & WASTEWATER PUMPS			11/14/2013	
ITEM	PART No.	DESCRIPTION	QTY	SIZE	MATERIAL	NOTES
1	009-127-14	Terminal	2	R-1.25-4	CU	
2	140-018-11	Hex.Bolt	3	M5x15	SUS304	
3	142-422-18	Seal Washer	3	PM-5	SUS+NBR	
4	003-111-20	Gland	1		SUS304	
5	001-005-66	Cabtyre Cable Set (32') 60Hz (USA)	1	2PNCT2Cx1.25mm2	BE/CE	
6	009-274-17	Compression type Terminal 60Hz (USA)	2	TMNB-2(Insulated)		
7	009-131-11	Terminal	7	R-5.5-6	CU	
8	140-055-10	Hex.Bolt	8	M8x25	SUS304	
9	142-163-18	Spring Washer	8	M8	SUS304	
10	070-107-18	Cable Clamp	2		FC	**included in ITEM 13 cable assembly **included in ITEM 16 cable assembly
11	140-035-14	Hex.Bolt	4	M6x20	SUS304	**included in ITEM 13 cable assembly **included in ITEM 16 cable assembly
12	006-126-14	Stuffing Box 60Hz (USA)	2	No.2	FC	**included in ITEM 13 cable assembly **included in ITEM 16 cable assembly
13	001-939-13	Cabtyre Cable Set (32') 60Hz (USA)	1	2PNCT3Cx5.5mm2	KR-2	
14	008-136-13	Mould Cover 60Hz (USA)	1	KR2-1	CR	**included in ITEM 13 cable assembly
15	009-276-19	Compression type Terminal 60Hz (USA)	6	TMNB-5.5(Insulated)		
16	001-938-12	Cabtyre Cable Set (32') 60Hz (USA)	1	2PNCT4Cx5.5mm2	KR-2	
17	008-143-13	Mould Cover 60Hz (USA)	1	KR2-8	CR	**included in ITEM 16 cable assembly
18	143-085-21	Pan Screw (w/Spring Washer)	1	M4x6	SWRM	
19	009-130-10	Terminal	1	R-5.5-4	CU	
20	072-125-47	Eye Bolt	2	M20	SS	
	142-401-11	Washer		d21xd34x0.1t	SUS304	
	142-402-12	Washer		d21xd34x0.3t	SUS304	
21	140-098-15	Hex.Bolt	4	M12x35	SUS304	
22	142-165-10	Spring Washer	4	M12	SUS304	
23	050-000-83	Motor Bracket	1		FC	
24	122-173-19	O-Ring	1	V-225(222.5xd6)	NBR	*
25	142-000-08	Wave Washer	1	6306B(d71xd59x4.0t)	SK5	
26	052-000-25	Bearing (w/O-ring)	1	AC-6306ZZC3		
27	058-000-09	Lead Wire Protection Plate	1	d86xd224x1.6t	SPHC	
28	055-000-70	Rotor	1Set			
29	147-167-17	Impeller Key	1	12x8x64	SUS420	
30	053-310-13	Motor Protector	3	9700K-76-215	(H)	
31	056-B96-10	Stator 208/230V-60Hz(USA)	1Set			
	056-B97-11	Stator 460V-60Hz(USA)	1Set			
32	064-000-42	Motor Frame	1		FC	
33	140-100-11	Hex.Bolt	4	M12x45	SUS304	
34	142-165-10	Spring Washer	4	M12	SUS304	
35	122-173-19	O-Ring	1	V-225(222.5xd6)	NBR	*
36	140-032-37	Hex.Bolt	3	M6x15	SWRM	
37	062-224-17	Bearing Fixing Plate	1	d98xd140x4.5t	SS	
38	052-141-18	Bearing	1Set	6310ZZD2C3		
39	142-000-09	Bearing Washer	1	50x61x74x1.2t	SUS	
40	141-000-03	Bearing Nut	1	70x2.5x11	SUS304	
41	140-104-15	Hex.Bolt	4	M12x65	SUS304	

\* Indicates items included in set

PARTS LIST		SEWAGE & WASTEWATER PUMPS			11/14/2013	
ITEM	PART No.	DESCRIPTION	QTY	SIZE	MATERIAL	NOTES
42	142-165-10	Spring Washer	4	M12	SUS304	
43	060-432-14	Bearing Housing	1		FC	
44	121-247-12	Packing	2	d12.3xd18x2t	PE	*
45	035-113-18	Oil Plug	2	M12x14	SUS304	
46	140-099-16	Hex.Bolt	4	M12x40	SUS304	
47	142-165-10	Spring Washer	4	M12	SUS304	
48	025-000-62	Mechanical Seal	1	H-45X	SiC	replaced 025-197-15 by TB M63-003
49	143-070-23	Pan Screw	2	M5x6	SWRM	
50	030-140-19	Oil Lifter	1	H-45	Resin	
51	143-070-10	Pan Screw	3	M5x6	SWRM	
52	030-149-18	Seal Stopper	1	H-40/45	SPCC	
53	122-160-13	O-Ring	1	G-290(289.3xd5.7)	NBR	*
54	029-271-16	Oil Casing	1	200/250-15-4B2	FC	
55	122-160-13	O-Ring	1	G-290(289.3xd5.7)	NBR	*
56	021-656-15	Impeller (60Hz)	1	200B415-63	FC	
57	145-035-19	Taper Pin	1	5x10	SUS304	
58	142-430-19	Impeller Fixing Washer	1	d18xd60x11t	SUS304	
59	217-020-17	Fixing Plate	1	d60x3t M16(B=24)	SUS304	
60	140-232-13	Hex.Socket Cap Bolt	2	M5x10	SUS304	
61	140-128-15	Hex.Bolt	1	M16x60	SUS304	
62	020-448-19	Pump Casing	1	200-11/15-4B	FC	
63	140-052-17	Hex.Bolt	2	M8x16	SUS304	
64	046-000-05	Air Release Valve	1	GSZ/NKZ/B	SPCC	
65	203-017-18	Ball	1	d28	NBR	
66	121-151-18	Packing	1	P.C.80xd50	CR	*
67	122-308-15	O-Ring	1	320xd5.7	NBR	*
68	022-452-12	Suction Cover	1	200-11/15-4B	FC	
69	142-165-10	Spring Washer	8	M12	SUS304	
70	140-099-16	Hex.Bolt	8	M12x40	SUS304	
71	023-156-29	Pump Stand	1	75-BL	FCMB	
72	142-129-25	Plain Washer	4	M12	SPC	
73	140-099-16	Hex.Bolt	4	M12x40	SUS304	
74	121-166-29	Packing	1	JIS5Kx200mm	NR	
75	037-120-14	Discharge Bend	1	200x200mm	FC	
76	142-166-11	Spring Washer	8	M16	SUS304	
77	140-127-14	Hex.Bolt	8	M16x55	SUS304	
		<b>Guide rail rail fitting</b>		TO-200		
	099-114-17	Screwed Flange	1	TO-200	FC	
	121-166-29	Packing	1	JIS5Kx200mm	NR	
	140-318-14	Hex.Socket Cap Bolt	8	M16x45	SUS304	
	093-000-03	Guide Hook	1	TO-200/250	FCD	
	140-154-10	Hex.Bolt	3	M20x80	SUS304	
	142-131-17	Plain Washer	3	M20	SUS304	
	091-108-14	Duck Foot Bend(JIS10K)	1	TO-200	FC	

\* Indicates items included in set

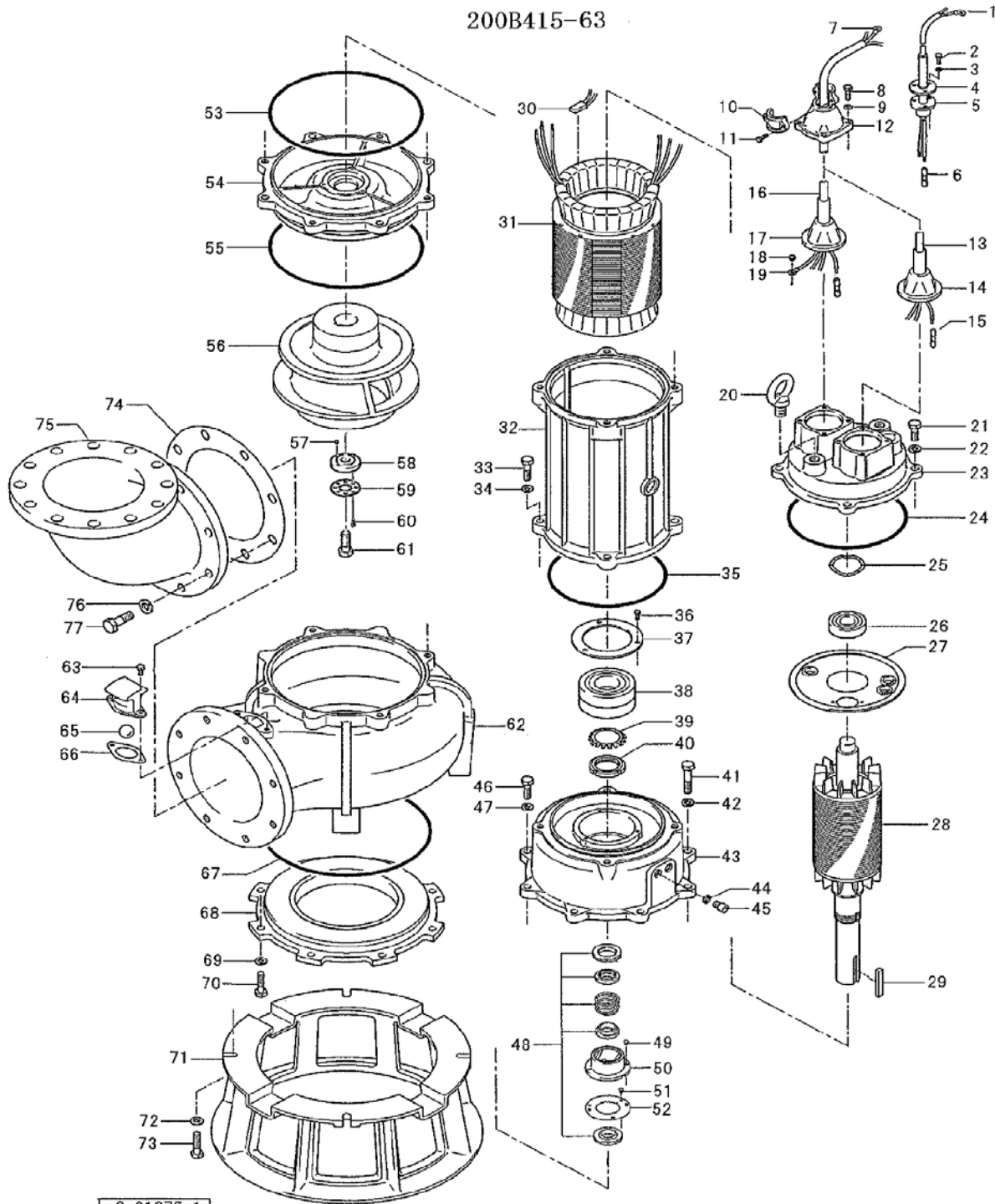
PARTS LIST		SEWAGE & WASTEWATER PUMPS			11/14/2013	
ITEM	PART No.	DESCRIPTION	QTY	SIZE	MATERIAL	NOTES
	094-109-14	Guide Support	1	TO-150/250	FCD	
	140-099-16	Hex.Bolt	3	M12x40	SUS304	
	141-007-49	Hex.Nut	3	M12(H=7)	SUS304	
	142-129-12	Plain Washer	3	M12	SUS304	
	096-103-14	Guide Connector	2	40mm	SS	
	140-101-12	Hex.Bolt	2	M12x50	SUS304	
	142-165-10	Spring Washer	2	M12	SUS304	
	048-239-11	Welding Flange	1	JIS10Kx200mm	SS	
	121-109-24	Packing	1	JIS10Kx200mm	NR	
	140-154-36	Hex.Bolt	12	M20x80	SWRM	
	141-009-12	Hex.Nut	12	M20	SUS304	
	142-168-13	Spring Washer	12	M20	SUS304	
		<b>Packing O-Ring Set</b>				
	173-002-70	Packing O-Ring Set	1Set	(Marked by *)		
24	122-173-19	O-Ring (M.Bracket/M.Frame)	1	V-225(222.5xd6)	NBR	*
35	122-173-19	O-Ring (M.Frame/Brg.Housing)	1	V-225(222.5xd6)	NBR	*
44	121-247-12	Packing (Oil Plug)	2	d12.3xd18x2t	PE	*
53	122-160-13	O-Ring (Brg.Housing/O.Casing)	1	G-290(289.3xd5.7)	NBR	*
55	122-160-13	O-Ring (O.Casing/P.Casing)	1	G-290(289.3xd5.7)	NBR	*
66	121-151-18	Packing (Air Release Valve)	1	P.C.80xd50	CR	*
67	122-308-15	O-Ring (P.Casing/S.Cover)	1	320xd5.7	NBR	*
		Lubricant		Turbine Oil VG32 5,500ml		
		<b>Chain&amp;Shackle (SS)</b>				
	095-000-35	Chain	1	9mmx2(10L)	SS	
	011-000-16	Shackle	2	12mm	SS	
	095-176-28	Chain	1	9mmx5M	SS	
	011-000-16	Shackle	1	12mm	SS	
		<b>Impeller Puller</b>				
	183-014-10	Impeller Puller	1	BE No.14 2"1/2"	SGPSS	



PARTS LIST		SEWAGE & WASTEWATER PUMPS			11/14/2013	
ITEM	PART No.	DESCRIPTION	QTY	SIZE	MATERIAL	NOTES

## EXPLODED VIEW

200B415-63



C-01275-1