

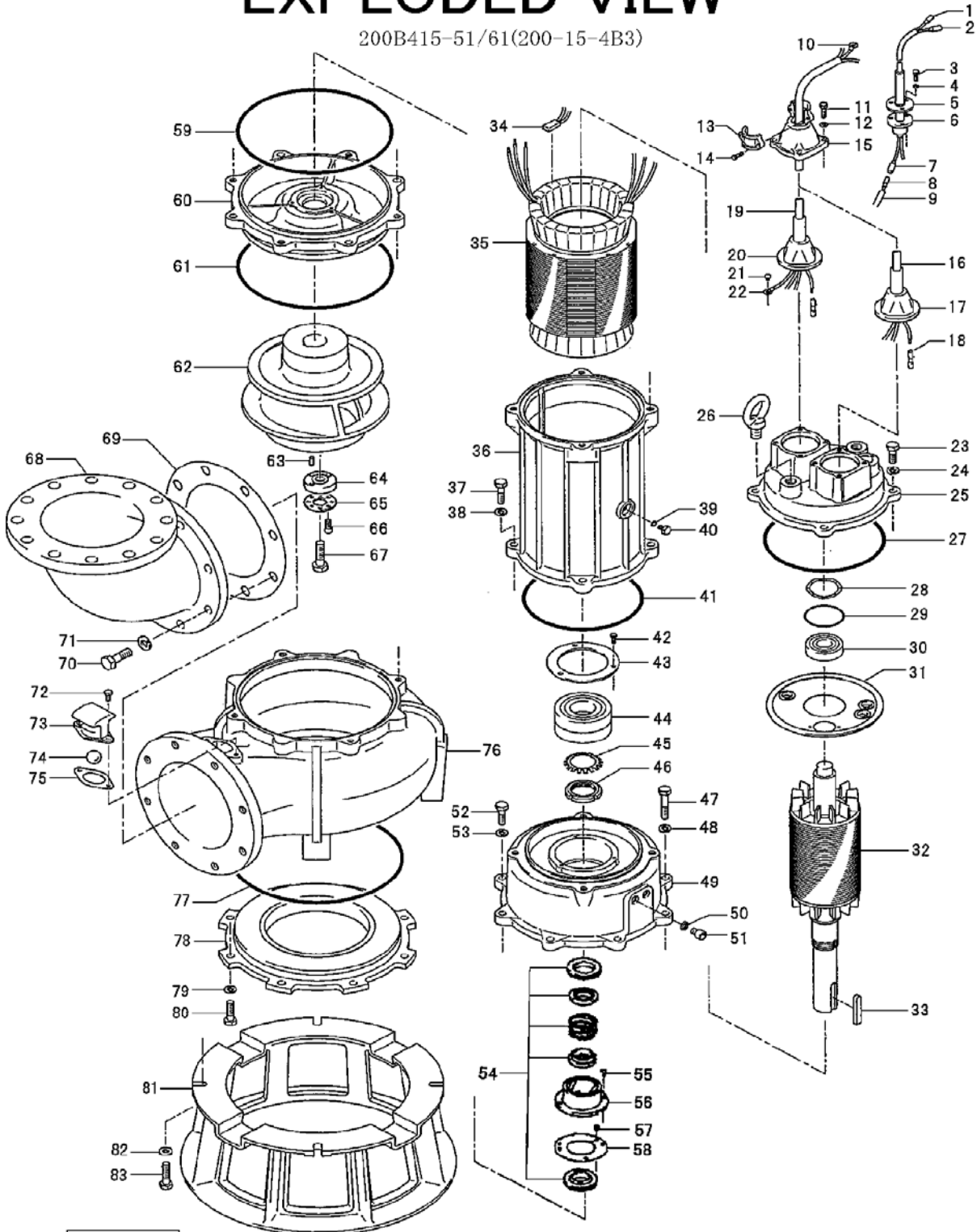
PARTS LIST		SEWAGE & WASTEWATER PUMPS			3/26/2013	
ITEM	PART No.	DESCRIPTION	QTY	SIZE	MATERIAL	NOTES
1	009-115-19	Connector	1	PC-4020F		
2	009-114-18	Connector	1	PC-4020M		
3	140-018-11	Hex.Bolt	3	M5x15	SUS304	
4	142-422-18	Seal Washer	3	PM-5	SUS+NBR	
5	003-111-20	Gland	1		SUS304	
6		Cabtyre Cable Set				
7	009-114-18	Connector	2	PC-4020M		
8	009-115-19	Connector	2	PC-4020F		
9	002-128-14	Heat Shrink Tube (Sold per meter)	m	EVA(d10x1t)	(V/m)	
10	009-131-11	Terminal	7	R-5.5-6	CU	
11	140-055-10	Hex.Bolt	8	M8x25	SUS304	
12	142-163-18	Spring Washer	8	M8	SUS304	
13	070-107-18	Cable Clamp	2		FC	
14	140-035-14	Hex.Bolt	4	M6x20	SUS304	
15	006-126-14	Stuffing Box	2	No.2	FC	
16		Cabtyre Cable Set				
17	008-136-13	Mould Cover	1	KR2-1	CR	
18	009-276-19	Compression type Terminal	6	TMNB-5.5(Insulated)		
19		Cabtyre Cable Set				
20	008-143-13	Mould Cover	1	KR2-8	CR	
21	143-085-21	Pan Screw (w/Spring Washer)	1	M4x6	SWRM	
22	009-130-10	Terminal	1	R-5.5-4	CU	
23	140-098-15	Hex.Bolt	4	M12x35	SUS304	
24	142-165-10	Spring Washer	4	M12	SUS304	
25	050-438-19	Motor Bracket	1		FC	
26	072-125-47	Eve Bolt	2	M20	SS	
27	122-173-19	O-Ring	1	V-225(222.5xd6)	NBR	
28	142-198-12	Wave Washer	1	6306	SK5	
29	122-245-13	O-Ring	1	71.4xd3.1	NBR	
30	052-109-14	Bearing	1	6306ZZC3		
31	058-000-09	Lead Wire Protection Plate	1	d86xd224x1.6t	SPHC	
32	055-749-11	Rotor	1Set			
33	147-149-13	Impeller Key	1	12x8x65l	SUS403	
34		Motor Protector				
34	053-310-13	Motor Protector	3	9700K-76-215	(H)	
35		Stator	1Set			
36	064-507-13	Motor Frame	1		FC	
37	140-100-11	Hex.Bolt	4	M12x45	SUS304	
38	142-165-10	Spring Washer	4	M12	SUS304	
39	122-006-10	O-Ring	1	P-8(7.8xd1.9)	NBR	
40	144-550-12	Stator Set Bolt	1	M8x12.5	SUS304	
41	122-173-19	O-Ring	1	V-225(222.5xd6)	NBR	
42	140-032-37	Hex.Bolt	3	M6x15	SWRM	
43	062-224-17	Bearing Fixing Plate	1	d98xd140x4.5t	SS	

PARTS LIST		SEWAGE & WASTEWATER PUMPS			3/26/2013	
ITEM	PART No.	DESCRIPTION	QTY	SIZE	MATERIAL	NOTES
44	052-141-18	Bearing	1Set	6310ZZD2C3		
45	142-393-19	Bearing Washer	1	AW10	SUS	
46	141-129-19	Bearing Nut	1	AN10	SUS410	
47	140-104-15	Hex.Bolt	4	M12x65	SUS304	
48	142-165-10	Spring Washer	4	M12	SUS304	
49	060-432-14	Bearing Housing	1		FC	
50	121-247-12	Packing	2	d12.3xd18x2t	PE	
51	035-113-18	Oil Plug	2	M12x14	SUS304	
52	140-099-16	Hex.Bolt	4	M12x40	SUS304	
53	142-165-10	Spring Washer	4	M12	SUS304	
54	025-197-15	Mechanical Seal	1	H-45	SiC	
55	143-070-23	Pan Screw	2	M5x6	SWRM	
56	030-140-19	Oil Lifter	1	H-45	Resin	
57	143-070-10	Pan Screw	3	M5x6	SWRM	
58	030-149-18	Seal Stopper	1	H-40/45	SPCC	
59	122-160-13	O-Ring	1	G-290(289.3xd5.7)	NBR	
60	029-271-16	Oil Casing	1	200/250-15-4B2	FC	
61	122-160-13	O-Ring	1	G-290(289.3xd5.7)	NBR	
62	021-655-14	Impeller (50Hz)	1	200B415-51	FC	
62	021-656-15	Impeller (60Hz)	1	200B415-61	FC	
63	145-035-19	Taper Pin	1	5x10	SUS304	
64	142-430-19	Impeller Fixing Washer	1	d18xd60x11t	SUS304	
65	217-020-17	Fixing Plate	1	d60x3t M16(B=24)	SUS304	
66	140-232-13	Hex.Socket Cap Bolt	2	M5x10	SUS304	
67	140-128-15	Hex.Bolt	1	M16x60	SUS304	
68	037-120-14	Discharge Bend	1	200x200mm	FC	
69	121-166-29	Packing	1	JIS5Kx200mm	NR	
70	140-127-14	Hex.Bolt	8	M16x55	SUS304	
71	142-166-11	Spring Washer	8	M16	SUS304	
72	140-052-17	Hex.Bolt	2	M8x16	SUS304	
73	046-000-05	Air Release Valve	1	GSZ/NKZ/B	SPCC	
74	203-017-18	Ball	1	d28	NBR	
75	121-151-18	Packing	1	P.C.80xd50	CR	
76	020-448-19	Pump Casing	1	200-11/15-4B	FC	
77	122-308-15	O-Ring	1	320xd5.7	NBR	
78	022-452-12	Suction Cover	1	200-11/15-4B	FC	
79	142-165-10	Spring Washer	8	M12	SUS304	
80	140-099-16	Hex.Bolt	8	M12x40	SUS304	
81	023-156-29	Pump Stand	1	75-BL	FCMB	
82	142-129-25	Plain Washer	4	M12	SPC	
83	140-099-16	Hex.Bolt	4	M12x40	SUS304	
		<Packing O-Ring Set>				
	173-534-10	Packing O-Ring Set	1Set	(Marked by *)		
27	122-173-19	O-Ring (M.Bracket/M.Frame)	1	V-225(222.5xd6)	NBR	

PARTS LIST		SEWAGE & WASTEWATER PUMPS			3/26/2013	
ITEM	PART No.	DESCRIPTION	QTY	SIZE	MATERIAL	NOTES

EXPLODED VIEW

200B415-51/61(200-15-4B3)



C-00253-1