

PARTS LIST		CONTRACTOR PUMP			5/3/2013	
ITEM	PART No.	DESCRIPTION	QTY	SIZE	MATERIAL	NOTES
1	009-127-14	Terminal	2	R-1.25-4	CU	
2	140-018-11	Hex.Bolt	3	M5x15	SUS304	
3	142-422-18	Seal Washer	3	PM-5	SUS+NBR	
4		Cabtyre Cable Complete	1			
5	003-111-20	Gland	1		SUS304	
6	009-274-17	Compression type Terminal	2	TMNB-2(Insulated)		
7	009-131-11	Terminal	7	R-5.5-6	CU	
8	140-055-10	Hex.Bolt	8	M8x25	SUS304	
9	142-163-18	Spring Washer	8	M8	SUS304	
10	070-107-18	Cable Clamp	2		FC	
11	140-035-14	Hex.Bolt	4	M6x20	SUS304	
12	006-126-14	Stuffing Box	2	No.2	FC	
13		Cabtyre Cable Complete	1			
13		Cabtyre Cable (Sold per meter)	m			
14	008-136-13	Mould Cover	1	KR2-1	CR	
15	009-276-19	Compression type Terminal	6	TMNB-5.5(Insulated)		
16		Cabtyre Cable Complete	1			
16		Cabtyre Cable (Sold per meter)	m			
17	008-143-13	Mould Cover	1	KR2-8	CR	
18	143-085-21	Pan Screw (w/Spring Washer)	1	M4x6	SWRM	
19	009-130-10	Terminal	1	R-5.5-4	CU	
20	072-125-47	Eye Bolt	2	M20	SS	
21	140-098-15	Hex.Bolt	4	M12x35	SUS304	
22	142-165-10	Spring Washer	4	M12	SUS304	
23	050-438-19	Motor Bracket	1		FC	
24	122-173-19	O-Ring	1	V-225(222.5xd6)	NBR	
25	142-198-12	Wave Washer	1	6306	SK5	
26	122-245-13	O-Ring	1	71.4xd3.1	NBR	
27	052-109-14	Bearing	1	6306ZC3		
28	058-000-09	Lead Wire Protection Plate	1	d86xd224x1.6t	SPHC	
29	055-000-70	Rotor	1Set			
30	147-149-13	Impeller Key	1	12x8x65l	SUS403	
31	053-310-13	Motor Protector	3	9700K-76-215	(H)	
32		Stator	1Set			
33	064-507-13	Motor Frame	1		FC	
34	140-100-11	Hex.Bolt	4	M12x45	SUS304	
35	142-165-10	Spring Washer	4	M12	SUS304	
36	122-006-10	O-Ring	1	P-8(7.8xd1.9)	NBR	
37	144-550-12	Stator Set Bolt	1	M8x12.5	SUS304	
38	122-173-19	O-Ring	1	V-225(222.5xd6)	NBR	
39	140-032-37	Hex.Bolt	3	M6x15	SWRM	
40	062-224-17	Bearing Fixing Plate	1	d98xd140x4.5t	SS	
41	052-141-18	Bearing	1Set	6310ZZD2C3		
42	142-393-19	Bearing Washer	1	AW10	SUS	

PARTS LIST		CONTRACTOR PUMP			5/3/2013	
ITEM	PART No.	DESCRIPTION	QTY	SIZE	MATERIAL	NOTES
43	141-000-02	Bearing Nut	1	AN10	SUS304	
44	140-104-15	Hex.Bolt	4	M12x65	SUS304	
45	142-165-10	Spring Washer	4	M12	SUS304	
46	060-432-14	Bearing Housing	1		FC	
47	121-247-12	Packing	2	d12.3xd18x2t	PE	
48	035-113-18	Oil Plug	2	M12x14	SUS304	
49	140-099-16	Hex.Bolt	4	M12x40	SUS304	
50	142-165-10	Spring Washer	4	M12	SUS304	
51	025-197-15	Mechanical Seal	1	H-45	SIC	
52	143-070-23	Pan Screw	2	M5x6	SWRM	
53	030-140-19	Oil Lifter	1	H-45	Resin	
54	143-070-10	Pan Screw	3	M5x6	SWRM	
55	030-149-18	Seal Stopper	1	H-40/45	SPCC	
56	122-160-13	O-Ring	1	G-290(289.3xd5.7)	NBR	
57	029-271-16	Oil Casing	1	200/250-15-4B2	FC	
58	122-160-13	O-Ring	1	G-290(289.3xd5.7)	NBR	
59	021-602-16	Impeller (50Hz)	1	150B415-52	FC	
59	021-603-17	Impeller (60Hz)	1	150B415-62	FC	
60	142-430-19	Impeller Fixing Washer	1	d18xd60x11t	SUS304	
61	217-020-17	Fixing Plate	1	d60x3t M16(B=24)	SUS304	
62	140-232-13	Hex.Socket Cap Bolt	2	M5x10	SUS304	
63	140-128-15	Hex.Bolt	1	M16x60	SUS304	
64	037-119-10	Discharge Bend	1	150x150mm	FC	
65	121-165-28	Packing	1	JIS5Kx150mm	NR	
66	140-126-13	Hex.Bolt	8	M16x50	SUS304	
67	142-166-11	Spring Washer	8	M16	SUS304	
68	046-107-13	Air Release Valve	1	PT-1/2	Nylon	
69	020-798-17	Pump Casing	1	150-15-4B	FC	
70	122-258-19	O-Ring	1	395xd5	NBR	
71	022-319-32	Suction Cover	1	110/150-BH	FC	
72	142-165-10	Spring Washer	4	M12	SUS304	
73	140-100-11	Hex.Bolt	4	M12x45	SUS304	
74	023-156-29	Pump Stand	1	75-BL	FCMB	
75	142-129-25	Plain Washer	4	M12	SPC	
76	140-101-12	Hex.Bolt	4	M12x50	SUS304	
		<Packing O-Ring Set>				
	173-533-19	Packing O-Ring Set	1Set	(Marked by *)		
24	122-173-19	O-Ring (M.Bracket/M.Frame)	1	V-225(222.5xd6)	NBR	
26	122-245-13	O-Ring (Upp. Bearing)	1	71.4xd3.1	NBR	
36	122-006-10	O-Ring (Stator Set Bolt)	1	P-8(7.8xd1.9)	NBR	
38	122-173-19	O-Ring (M.Frame/Brg.Housing)	1	V-225(222.5xd6)	NBR	
47	121-247-12	Packing (Oil Plug)	2	d12.3xd18x2t	PE	
56	122-160-13	O-Ring (Brg.Housing/O.Casing)	1	G-290(289.3xd5.7)	NBR	
58	122-160-13	O-Ring (O.Casing/P.Casing)	1	G-290(289.3xd5.7)	NBR	

* Indicates items included in set



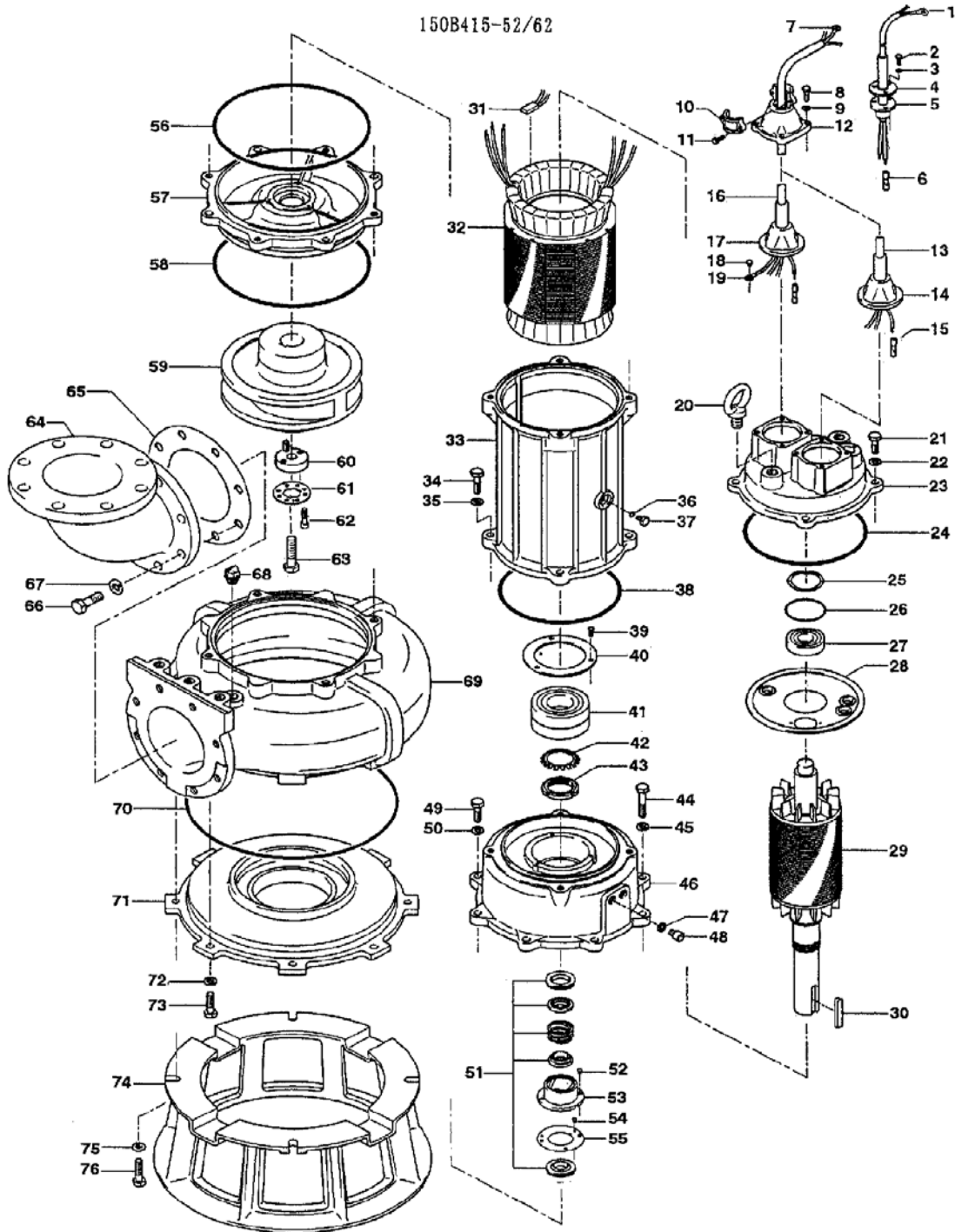
MODEL 150B415-62

PARTS LIST		CONTRACTOR PUMP				5/3/2013
ITEM	PART No.	DESCRIPTION	QTY	SIZE	MATERIAL	NOTES
70	122-258-19	O-Ring (P.Casing/S.Cover)	1	395xd5	NBR	
		Lubricant		Turbine Oil VG32 6,400ml		
		Parts for guide rail fittings are shown in the fol				
		TOS-150(TOS-14-2-1)				
		<Impeller Puller>				
	183-014-10	Impeller Puller		BE No.14 2"1/2"	SGPSS	

PARTS LIST		CONTRACTOR PUMP			5/3/2013	
ITEM	PART No.	DESCRIPTION	QTY	SIZE	MATERIAL	NOTES

EXPLODED VIEW

150B415-52/62



C-00372-1