

PARTS LIST		CONTRACTOR PUMP			3/4/2013	
ITEM	PART No.	DESCRIPTION	QTY	SIZE	MATERIAL	NOTES
1	001-004-76	Cabtyre Cable Set (10m)440V-60Hz(USA)	1	2PNCT4Cx5.5mm2	SFQ	
	001-004-76	Cabtyre Cable Set (10m)460V-60Hz(USA)	1	2PNCT4Cx5.5mm2	SFQ	
2	140-079-36	Hex.Bolt	2	M10x40	SUS316	
3	141-006-22	Hex.Nut	2	M10	SUS316	
4	003-112-18	Gland	1	No.2	SCS14	
5	004-127-19	Cable Bush	1	d19xd49x20l	CR	
6	005-120-15	Bush Washer	1	d19.5xd49x3.2t	SPC	
7	140-056-24	Hex.Bolt	4	M8x30	SUS316	
8	142-163-21	Spring Washer	4	M8	SUS316	
9	006-101-26	Stuffing Box	1	55/75-CL	SCS14	
10	122-126-20	O-Ring	1	G-75(74.4xd3.1)	VITON	
11	143-014-16	Pan Screw	1	M4x8	SWRM	
12	142-160-31	Spring Washer	1	M4	SWRH	
13	009-139-19	Terminal	1	R-8-4	CU	
14	009-276-19	Compression type Terminal	6	TMNB-5.5(Insulated)		
15	072-102-35	Eye Bolt	2	M12	SUS316	
16	140-078-22	Hex.Bolt	4	M10x35	SUS316	
17	142-164-22	Spring Washer	4	M10	SUS316	
18	050-000-05	Motor Bracket	1		SCS14	
19	122-000-29	O-Ring	1	G-200(199.3xd5.7)	VITON	
20	142-197-11	Wave Washer	1	6305	SK5	
21	052-108-13	Bearing	1	6305ZZC3		
22	143-126-12	Pan Screw (w/Spring Washer/Plain Washer)	2	M4x12	SWRM	
23	053-000-29	Motor Protector 440V-60Hz(USA)	1	KA314-HRBL201	(H.C)	
	053-000-29	Motor Protector 460V-60Hz(USA)	1	KA314-HRBL201	(H.C)	
24	058-184-11	Lead Wire Protection Plate	1	d90xd224x1.6t	SPHC	
25	055-000-16	Rotor	1Set			
26	147-080-15	Impeller Key	1	7x7x18L	SUS316	
27	056-000-21	Stator 440V-60Hz(USA)	1Set			
	056-000-21	Stator 460V-60Hz(USA)	1Set			
28	147-000-03	Key	1	7x3.5x40L	S45C	
29	140-079-23	Hex.Bolt	4	M10x40	SUS316	
30	142-164-22	Spring Washer	4	M10	SUS316	
31	064-000-05	Motor Frame	1		SCS14	
32	122-000-29	O-Ring	1	G-200(199.3xd5.7)	VITON	
33	140-000-06	Hex.Bolt (w/Spring Washer/Plain Washer)	3	M6x12	SWCH	
34	052-139-13	Bearing	1Set	6308ZZD2C3		
35	140-100-24	Hex.Bolt	4	M12x45	SUS316	
36	142-165-23	Spring Washer	4	M12	SUS316	
37	060-000-08	Bearing Housing	1		SCS14	
38	122-259-23	O-Ring	1	12xd3	VITON	
39	035-102-14	Oil Plug	1	M12x16(B=21)	SUS316	
40	025-191-19	Mechanical Seal	1	X-30W	SiC	
41	143-070-23	Pan Screw	2	M5x6	SWRM	

PARTS LIST		CONTRACTOR PUMP			3/4/2013	
ITEM	PART No.	DESCRIPTION	QTY	SIZE	MATERIAL	NOTES
42	030-142-11	Oil Lifter	1	H-30(A)(T)	Resin	
43	143-070-10	Pan Screw	3	M5x6	SWRM	
44	030-151-13	Seal Stopper	1	H-30(A)(T)	SPCC	
45	122-406-14	O-Ring	1	195xd3.1	VITON	
46	046-000-04	Air Release Valve	1	PT-1/2	SUS316	
47	035-109-11	Oil Plug	1	M8x12	SUS316	
48	121-248-13	Packing	1	d8.2xd13.5x2t	PE	
49	020-000-96	Pump Casing	1	80SFQ25.5/27.5/211	SCS14	
50	026-000-26	Oil Seal	1	TC-35508	VITON	
51	071-344-12	Shaft Sleeve	1	80SFQ25.5/7.5/11	SUS316	
52	040-117-18	Impeller Shim		d25.2xd38x0.3t	SUS316	
53	021C0515	Impeller (60Hz)	1	100SFQ27.5-62	SCS14	
54	142-130-32	Plain Washer	1	M16	SUS316	
55	142-166-24	Spring Washer	1	M16	SUS316	
56	141-033-28	Hex.Cap Nut	1	M16	SUS316	
57	120-121-16	Packing		d204xd264x0.3t	PE	
58	022-333-16	Suction Cover	1	75/110-CL	SCS14	
59	142-165-23	Spring Washer	3	M12	SUS316	
60	140-096-26	Hex.Bolt	3	M12x25	SUS316	
61	023-123-27	Pump Stand	1	55/110-CL	SCS14	
62	142-165-23	Spring Washer	3	M12	SUS316	
63	140-099-29	Hex.Bolt	3	M12x40	SUS316	
64	140-130-23	Hex.Bolt	8	M16x70	SUS316	
65	048-194-13	Screwed Flange	1	NPT-4(55-CL2)	SCS14	
66	121-148-12	Packing	1	JIS10Kx100mm	Cork	
67	037-114-28	Discharge Bend	1	80x100mm	SCS14	
68	142-166-24	Spring Washer	8	M16	SUS316	
69	141-008-24	Hex.Nut	8	M16	SUS316	
70	142-166-24	Spring Washer	4	M16	SUS316	
71	140-124-24	Hex.Bolt	4	M16x40	SUS316	
72	121-154-11	Packing	1	145mm2(P.C.145)	Cork	
		<Guide rail rail fittings>				
	093-154-11	Guide Hook	1	TOS-80-14	SCS14	
	140-100-24	Hex.Bolt	2	M12x45	SUS316	
	142-165-23	Spring Washer	2	M12	SUS316	
	091-000-14	Duck Foot Bend	1	TOS-80H	SCS14	
	096-122-19	Guide Connector	2	34mm	SUS316	
	140-101-25	Hex.Bolt	2	M12x50	SUS316	
	142-165-23	Spring Washer	2	M12	SUS316	
	094-132-16	Guide Support	1	TOS-80-14	SCS14	
	140-079-23	Hex.Bolt	2	M10x40	SUS316	
	141-006-22	Hex.Nut	2	M10	SUS316	
	142-128-37	Plain Washer	2	M10	SUS316	
		<Packing O-Ring Set>				



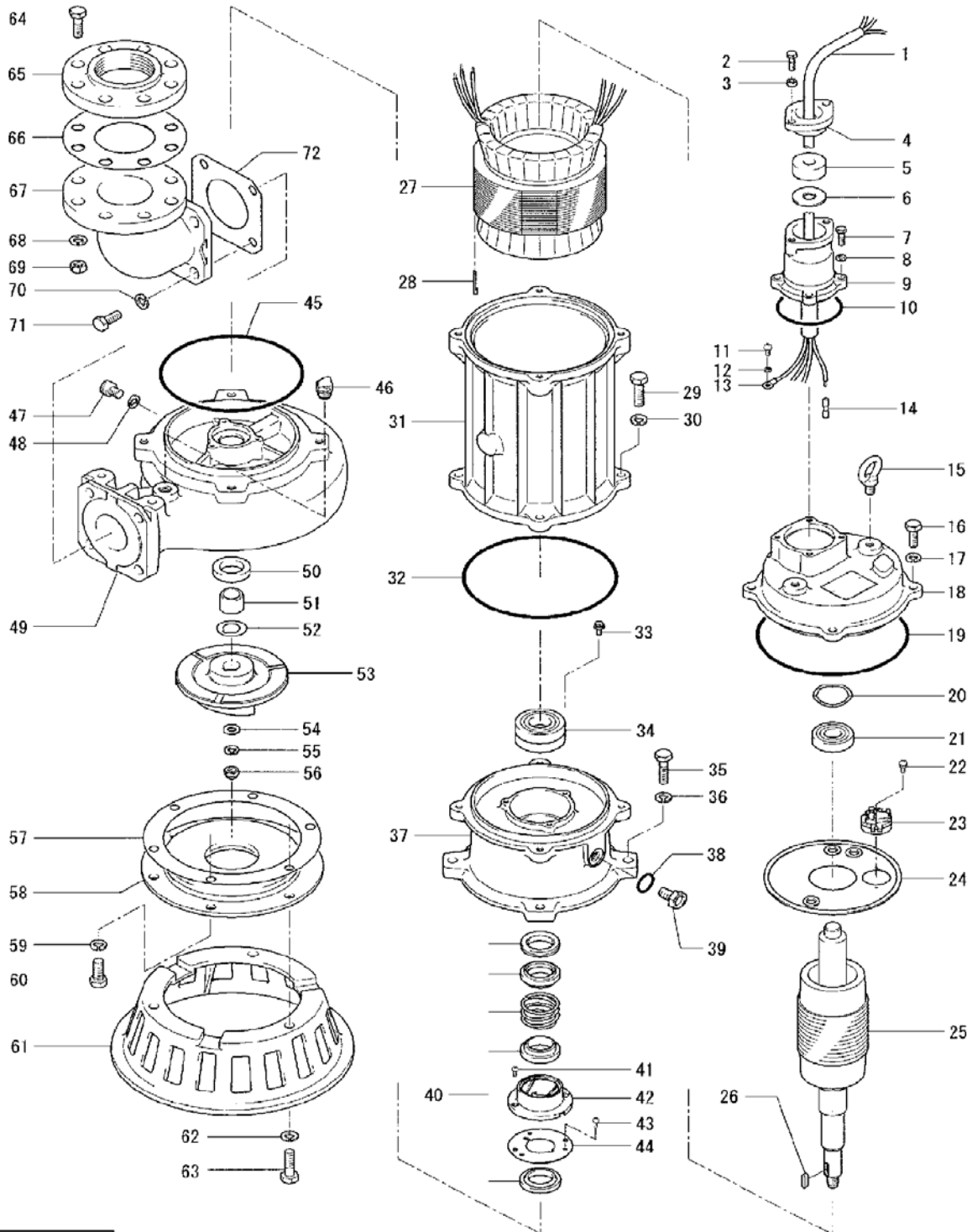
MODEL 100SFQ27.5-62

PARTS LIST		CONTRACTOR PUMP				3/4/2013
ITEM	PART No.	DESCRIPTION	QTY	SIZE	MATERIAL	NOTES
	173-000-51	Packing O-Ring Set	1Set	(Marked by *)		
10	122-126-20	O-Ring (S.Box)	1	G-75(74.4xd3.1)	VITON	
19	122-000-29	O-Ring (M.Bracket/M.Frame)	1	G-200(199.3xd5.7)	VITON	
32	122-000-29	O-Ring (M.Frame/Brq.Housing)	1	G-200(199.3xd5.7)	VITON	
38	122-259-23	O-Ring (Oil Plug)	1	12xd3	VITON	
45	122-406-14	O-Ring (Brq.Housing/O.Casing)	1	195xd3.1	VITON	
48	121-248-13	Packing (Oil Plug)	1	d8.2xd13.5x2t	PE	
72	121-154-11	Packing (Discharge Bend)	1	145mm2(P.C.145)	Cork	
		Lubricant		Turbine Oil VG32 2,250ml		

PARTS LIST		CONTRACTOR PUMP			3/4/2013	
ITEM	PART No.	DESCRIPTION	QTY	SIZE	MATERIAL	NOTES

## EXPLODED VIEW

100SFQ27.5-62



C-00551-1