

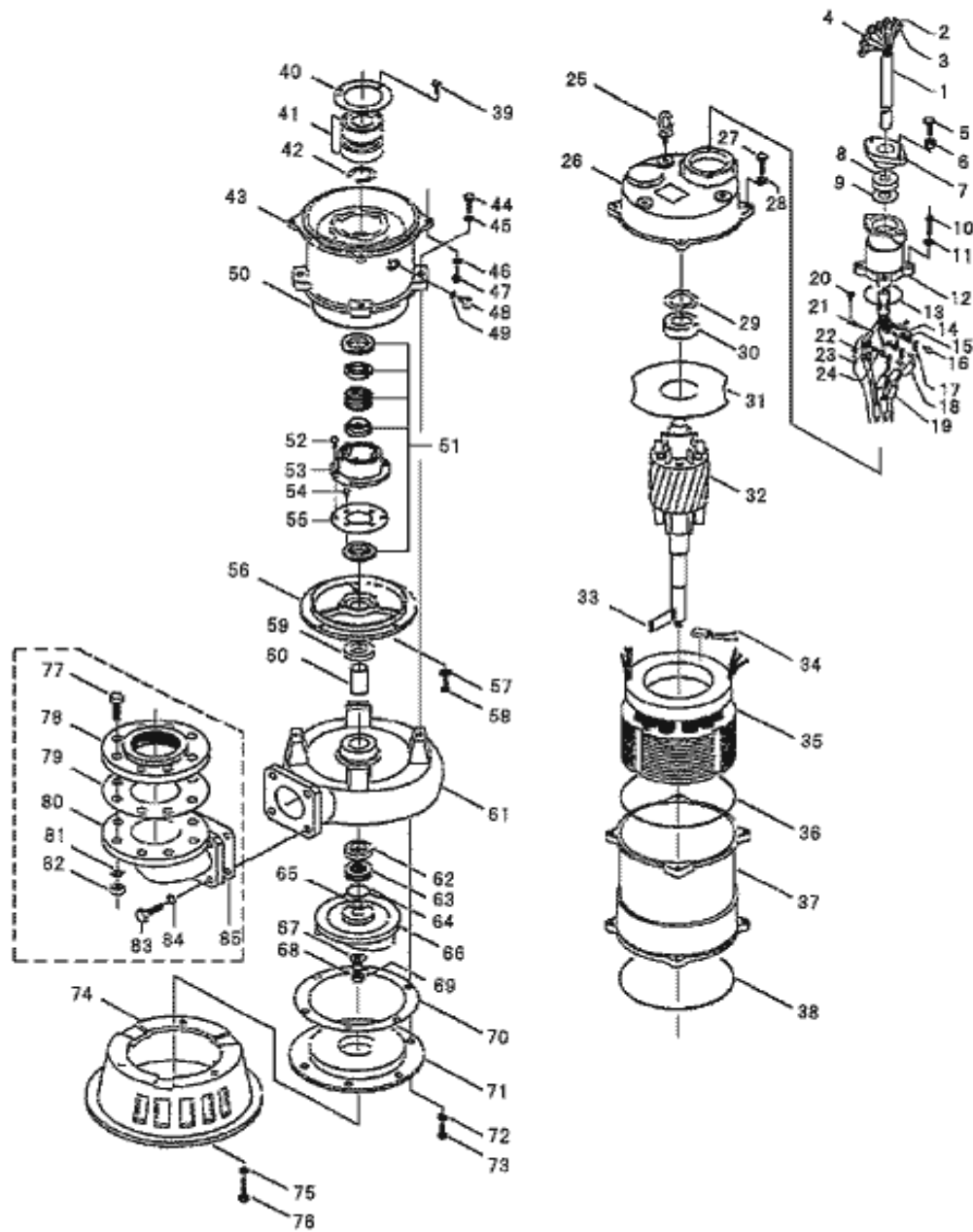
PARTS LIST		CONTRACTOR PUMPS			6/18/2012	
ITEM	PART No.	DESCRIPTION	QTY	SIZE	MATERIAL	NOTES
1		Cable (Sold per meter)				
2	009-114-18	Connector	1	PC-4020M		
3	009-115-19	Connector	1	PC-4020F		
4	009-106-17	Terminal	7	R-8-6	CU	
5	140-079-36	Hex.Bolt	2	M10x40	SUS316	
6	141-006-22	Hex.Nut	2	M10	SUS316	
7	003-113-19	Gland	1	No.3	SCS14	
8	004-126-18	Cable Bush	1	d27xd54x25l	CR	
9	005-103-12	Bush Washer	1	d29xd53.5x3.2t	SPC	
10	140-055-36	Hex.Bolt	4	M8x25	SUS316	
11	142-163-21	Spring Washer	4	M8	SUS316	
12	006-132-13	Stuffing Box	1	110-CL2	SCS14	
13	122-128-22	O-Ring	1	G-85(84.4xd3.1)	VITON	
14	141-004-46	Hex.Nut	6	M6	C3604	
15	009-106-17	Terminal	6	R-8-6	CU	
16	140-029-31	Hex.Bolt	6	M6x10	C3604	
17	009-131-11	Terminal	6	R-5.5-6	CU	
18	002-115-18	Heat Shrink Tube (Sold per meter)	m	EVA(d16.5x1t)	(V/m)	
19	002-116-19	Heat Shrink Tube (Sold per meter)	m	A4(d20x0.35t)	(V/m)	
20	143-042-13	Pan Screw	1	M6x10	SWRM	
21	009-106-17	Terminal	1	R-8-6	CU	
22	009-114-18	Connector	2	PC-4020M		
23	009-115-19	Connector	2	PC-4020F		
24	142-126-48	Plain Washer	6	M6	C3604	
25	072-107-30	Eye Bolt	3	M16	SUS316	
26	050-293-10	Motor Bracket	1		SCS14	
27	140-079-23	Hex.Bolt	4	M10x40	SUS316	
28	142-164-22	Spring Washer	4	M10	SUS316	
29	142-198-12	Wave Washer	1	6306	SK5	
30	052-109-14	Bearing	1	6306ZZC3		
31	058-120-19	Lead Wire Protection Plate	1	d94xd220x1.6t	Bakelite	
32	055-407-14	Rotor (1st)	1Set			
32	055-407-27	Rotor (2nd)	1Set			
33	147-080-15	Impeller Key	1	7x7x18l	SUS316	
34		Motor Protector				
34	053-306-16	Motor Protector	3	9700K-06-215	(H)	
35		Stator	1Set			
36	122-250-24	O-Ring	1	230xd3.8	VITON	
37	064-345-11	Motor Frame	1		SCS14	
38	122-250-24	O-Ring	1	230xd3.8	VITON	
39	140-030-35	Hex.Bolt	3	M6x12	SWRM	
40	062-102-18	Bearing Fixing Plate	1	d85xd125x3.2t	SS	
41	052-140-17	Bearing	1Set	6309ZZD2C3		
42	146-027-11	Retaining Ring	1	C45	SK5	

PARTS LIST		CONTRACTOR PUMPS			6/18/2012	
ITEM	PART No.	DESCRIPTION	QTY	SIZE	MATERIAL	NOTES
43	060-279-11	Bearing Housing	1		SCS14	
44	140-099-29	Hex.Bolt	4	M12x40	SUS316	
45	142-165-23	Spring Washer	4	M12	SUS316	
46	142-164-22	Spring Washer	4	M10	SUS316	
47	140-079-23	Hex.Bolt	4	M10x40	SUS316	
48	035-102-14	Oil Plug	1	M12x16(B=21)	SUS316	
49	122-259-23	O-Ring	1	12xd3	VITON	
50	122-406-14	O-Ring	1	195xd3.1	VITON	
51	025-191-19	Mechanical Seal	1	X-30W	SIC	
52	143-070-23	Pan Screw	2	M5x6	SWRM	
53	030-142-11	Oil Lifter	1	H-30(A)(T)	Resin	
54	143-070-10	Pan Screw	3	M5x6	SWRM	
55	030-151-13	Seal Stopper	1	H-30(A)(T)	SPCC	
56	029-141-16	Oil Casing	1	55/110-CL	SCS14	
57	142-163-21	Spring Washer	4	M8	SUS316	
58	140-054-35	Hex.Bolt	4	M8x20	SUS316	
59	026-000-31	Oil Seal	1	TC-355511	VITON	
60	071-147-13	Shaft Sleeve	1	55/110-CL2	SUS316	
61	020-319-10	Pump Casing	1	55/110-CL	SCS14	
62	026-000-31	Oil Seal	1	TC-355511	VITON	
63	026-153-12	Labyrinth Ring	1	55/110-CL	SUS316	
64	122-121-25	O-Ring	1	G-50(49.4xd3.1)	VITON	
65	040-117-18	Impeller Shim		d25.2xd38x0.3t	SUS316	
66	021-374-16	Impeller (50Hz)	1	100SFQ211-51	SCS14	
66	021-379-11	Impeller (60Hz)	1	100SFQ211-61	SCS14	
67	142-129-38	Plain Washer (1st)	1	M12	SUS316	
67	142-130-32	Plain Washer (2nd)	1	M16	SUS316	
68	142-165-23	Spring Washer (1st)	1	M12	SUS316	
68	142-166-24	Spring Washer (2nd)	1	M16	SUS316	
69	141-032-27	Hex.Cap Nut (1st)	1	M12	SUS316	
69	141-033-28	Hex.Cap Nut (2nd)	1	M16	SUS316	
70	120-121-16	Packing (S.Cover)		d204xd264x0.3t	PE	
71	022-333-16	Suction Cover	1	75/110-CL	SCS14	
72	142-165-23	Spring Washer	3	M12	SUS316	
73	140-095-25	Hex.Bolt	3	M12x20	SUS316	
74	023-123-27	Pump Stand	1	55/110-CL	SCS14	
75	142-165-23	Spring Washer	3	M12	SUS316	
76	140-097-27	Hex.Bolt	3	M12x30	SUS316	
77	140-129-29	Hex.Bolt	8	M16x65	SUS316	
78	048-000-44	Screwed Flange	1	JIS10Kx100mm(PT)	SCS14	
79	121-148-12	Packing	1	JIS10Kx100mm	Cork	
80	037-114-28	Discharge Bend	1	80x100mm	SCS14	
81	142-166-24	Spring Washer (2nd)	8	M16	SUS316	
82	141-008-24	Hex.Nut	8	M16	SUS316	

PARTS LIST		CONTRACTOR PUMPS				6/18/2012
ITEM	PART No.	DESCRIPTION	QTY	SIZE	MATERIAL	NOTES

EXPLODED VIEW

100SFQ211-51/61(110-CL2)



C-01433-1