

PARTS LIST		SEWER & WASTEWATER PUMPS			9/6/2013	
ITEM	PART No.	DESCRIPTION	QTY	SIZE	MATERIAL	NOTES
1	001-938-12	Cabtyre Cable Set (8m)220V-60Hz	1	2PNCT4Cx5.5mm2	KR-2	
	001-938-12	Cabtyre Cable Set (8m)380/400/415V-50Hz	1	2PNCT4Cx5.5mm2	KR-2	
	001-005-20	Cabtyre Cable Set (10m)380/400/415V-50Hz(EUR)	1	H07RN4Gx4mm2(Gray)	KR-2(HAR)	
2	140-055-10	Hex.Bolt	4	M8x25	SUS304	
3	142-163-18	Spring Washer	4	M8	SUS304	
4	070-107-18	Cable Clamp	1		FC	
5	140-035-14	Hex.Bolt	2	M6x20	SUS304	
6	006-126-14	Stuffing Box	1	No.2	FC	
7	008-143-13	Mould Cover 220V-60Hz	1	KR2-8	CR	
	008-143-13	Mould Cover 380/400/415V-50Hz	1	KR2-8	CR	
	008-138-15	Mould Cover 380/400/415V-50Hz(EUR)	1	KR2-3	CR	
8	143-085-21	Pan Screw (w/Spring Washer)	1	M4x6	SWRM	
9	009-130-10	Terminal	1	R-5.5-4	CU	
10	009-276-19	Compression type Terminal 220V-60Hz	3	TMNB-5.5(Insulated)		
	009-276-19	Compression type Terminal 380/400/415V-50Hz	3	TMNB-5.5(Insulated)		
	009-276-19	Compression type Terminal 380/400/415V-50Hz(EUR)	3	TMNB-5.5(Insulated)		
11	072-107-14	Eve Bolt	2	M16	SS	
	142-399-15	Washer		d17xd29x0.1t	SUS304	
	142-400-10	Washer		d17xd29x0.3t	SUS304	
12	140-098-15	Hex.Bolt	4	M12x35	SUS304	
13	142-165-10	Spring Washer	4	M12	SUS304	
14	050-000-79	Motor Bracket	1		FC	
15	122-173-19	O-Ring	1	V-225(222.5xd6)	NBR	
16	142-000-08	Wave Washer	1	6306B(d71xd59x4.0t)	SK5	
17	052-000-25	Bearing (w/O-ring)	1	AC-6306ZZC3		
18	058-000-09	Lead Wire Protection Plate	1	d86xd224x1.6t	SPHC	
19	143-126-12	Pan Screw (w/Spring Washer/Plain Washer)	2	M4x12	SWRM	
20	053-456-12	Motor Protector 220V-60Hz	1	KA314-HLBL00	(H.C)	
	053-485-10	Motor Protector 380/400/415V-50Hz	1	KA314-HKXL00	(H.C)	
	053-485-10	Motor Protector 380/400/415V-50Hz(EUR)	1	KA314-HKXL00	(H.C)	
21	055-000-68	Rotor	1Set			
22	147-067-16	Impeller Key	1	10x8x32l	SUS420	
23	056C0119	Stator 220V-60Hz	1Set			
	056C0210	Stator 380/400/415V-50Hz	1Set			
	056C0210	Stator 380/400/415V-50Hz(EUR)	1Set			
24	064-000-12	Motor Frame	1		FC	
25	140-100-11	Hex.Bolt	4	M12x45	SUS304	
26	142-165-10	Spring Washer	4	M12	SUS304	
27	122-173-19	O-Ring	1	V-225(222.5xd6)	NBR	
28	140-032-37	Hex.Bolt	3	M6x15	SWRM	
29	062-223-16	Bearing Fixing Plate	1	d92xd130x4.5t	SS	
30	052-112-10	Bearing	1	6309ZZC3		
31	146-027-11	Retaining Ring	1	C45	SK5	
32	140-104-15	Hex.Bolt	4	M12x65	SUS304	

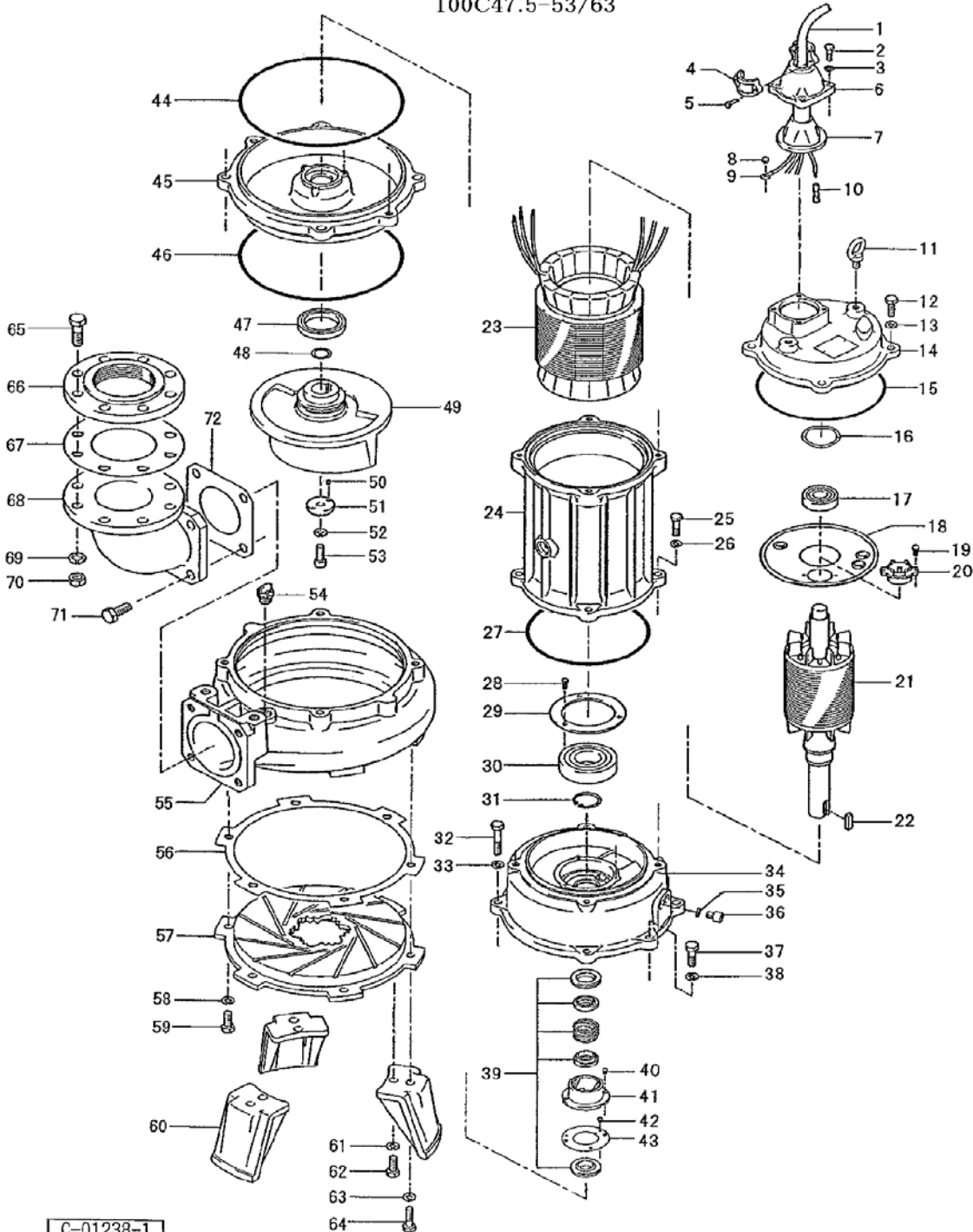
PARTS LIST		SEWER & WASTEWATER PUMPS			9/6/2013	
ITEM	PART No.	DESCRIPTION	QTY	SIZE	MATERIAL	NOTES
33	142-165-10	Spring Washer	4	M12	SUS304	
34	060-430-12	Bearing Housing	1		FC	
35	121-247-12	Packing	2	d12.3xd18x2t	PE	
36	035-113-18	Oil Plug	2	M12x14	SUS304	
37	140-099-16	Hex.Bolt	2	M12x40	SUS304	
38	142-165-10	Spring Washer	2	M12	SUS304	
39	025-280-16	Mechanical Seal	1	H-35A	SiC+CCBN	
40	143-070-23	Pan Screw	2	M5x6	SWRM	
41	030-156-18	Oil Lifter	1	H-35(A)(T)	Resin	
42	143-070-10	Pan Screw	3	M5x6	SWRM	
43	030-150-12	Seal Stopper	1	H-35(A)(T)	SPCC	
44	122-159-19	O-Ring	1	G-280(279.3xd5.7)	NBR	
45	029-187-14	Oil Casing	1	100-5.5/7.5-4B2	FC	
46	122-159-19	O-Ring	1	G-280(279.3xd5.7)	NBR	
47	026-115-12	Oil Seal	1	TC-608212	NBR	
48	040-124-18	Impeller Shim		d25.2xd35x0.3t	SUS304	
49	021-809-15	Impeller (50Hz)	1	100C47.5-53	FC	
49	021-810-22	Impeller (60Hz)	1	100C47.5-63	FC	
50	144-530-16	Hex.Socket Set Screw	2	M6x15	SUS304	
51	142-202-10	Impeller Fixing Washer	1	d13xd50x15t	SUS304	
52	142-000-22	Spring Washer	1	M12(CP)	SUS304	
53	140-304-17	Hex.Socket Cap Bolt	1	M12x45	SUS304	
54	046-107-13	Air Release Valve	1	PT-1/2	Nylon	
55	020-531-23	Pump Casing	1	100-5.5/7.5-4B2	FC	
56	120-102-11	Packing (S.Cover)		d301xd328x0.3t	PE	
57	022-330-26	Suction Cover	1	55/110-CE2	FCD	
58	142-165-10	Spring Washer	3	M12	SUS304	
59	140-097-14	Hex.Bolt	3	M12x30	SUS304	
60	023-288-18	Pump Stand	3	55/110-CE2	FC	
61	142-165-10	Spring Washer	3	M12	SUS304	
62	140-097-14	Hex.Bolt	3	M12x30	SUS304	
63	142-165-10	Spring Washer	3	M12	SUS304	
64	140-099-16	Hex.Bolt	3	M12x40	SUS304	
65	140-000-56	Hex.Bolt(For 100mm)	8	M16x75	SWRM	
65	140-130-36	Hex.Bolt(For 80mm)	8	M16x70	SWRM	
66	048-000-40	Screwed Flange(For 100mm)	1	JIS10Kx100mm(PT)	FC	
66	048-000-39	Screwed Flange(For 80mm)	1	JIS10Kx80mm(PT)	FC	
67	121-106-34	Packing(For 100mm)	1	JIS10Kx100mm	NR	
67	121-105-33	Packing(For 80mm)	1	JIS10Kx80mm	NR	
68	037-000-32	Discharge Bend(For 100mm)	1	100x100mm(S-4)	FC	
68	037-155-18	Discharge Bend(For 80mm)	1	100x80mm(S-4B)	FC	
69	142-166-37	Spring Washer	8	M16	SWRH	
70	141-008-11	Hex.Nut	8	M16	SUS304	
71	140-124-11	Hex.Bolt	4	M16x40	SUS304	

PARTS LIST		SEWER & WASTEWATER PUMPS			9/6/2013	
ITEM	PART No.	DESCRIPTION	QTY	SIZE	MATERIAL	NOTES
72	121-153-10	Packing	1	160mm2(P.C.165)	NBR	
		<Packing O-Ring Set>				
	173-001-22	Packing O-Ring Set	1Set	(Marked by *)		
15	122-173-19	O-Ring (M.Bracket/M.Frame)	1	V-225(222.5xd6)	NBR	
27	122-173-19	O-Ring (M.Frame/Brg.Housing)	1	V-225(222.5xd6)	NBR	
35	121-247-12	Packing (Oil Plug)	2	d12.3xd18x2t	PE	
44	122-159-19	O-Ring (Brg.Housing/O.Casing)	1	G-280(279.3xd5.7)	NBR	
46	122-159-19	O-Ring (O.Casing/P.Casing)	1	G-280(279.3xd5.7)	NBR	
72	121-153-10	Packing (Discharge Bend)	1	160mm2(P.C.165)	NBR	
		Lubricant		Turbine Oil VG32 5.200ml		
		Parts for guide rail fittings are shown in the fol				
		TOS3-100x100(TOS3-7-2-1)				
		TOS3-100x80(TOS3-5-2-1)				
		<Chain&Shackle>(SS)				
	095-000-35	Chain	1	9mmx2(10L)	SS	
	011-000-16	Shackle	2	12mm	SS	
	095-176-28	Chain	1	9mmx5M	SS	
	011-000-16	Shackle	1	12mm	SS	
		<Impeller Puller>				
	183-013-19	Impeller Puller	1	BE No.13 2"	SGPSS	

PARTS LIST		SEWER & WASTEWATER PUMPS			9/6/2013	
ITEM	PART No.	DESCRIPTION	QTY	SIZE	MATERIAL	NOTES

EXPLODED VIEW

100C47.5-53/63



C-01238-1