

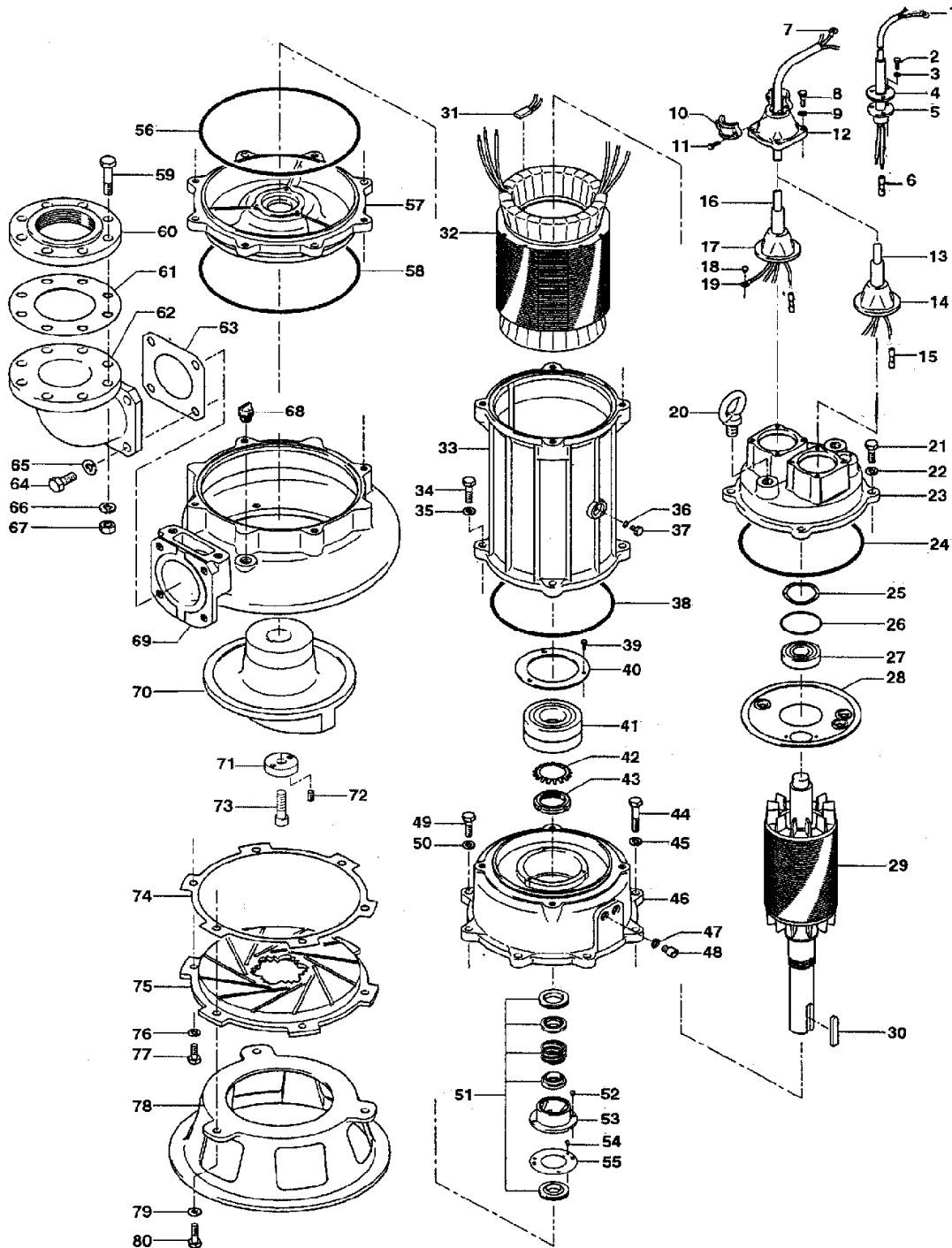
PARTS LIST		CONTRACTOR PUMP			8/15/2013	
ITEM	PART No.	DESCRIPTION	QTY	SIZE	MATERIAL	NOTES
1	009-116-10	Terminal	2	R-2-4	CU	
2	140-018-11	Hex.Bolt	3	M5x15	SUS304	
3	142-422-18	Seal Washer	3	PM-5	SUS+NBR	
4	003-111-20	Gland	1		SUS304	
5	001-890-24	Sensor Cable	1	2 Leads		
6	009-274-17	Compression type Terminal	2	TMNB-2(Insulated)		
7	009-131-11	Terminal	7	R-5.5-6	CU	
8	140-055-10	Hex.Bolt	8	M8x25	SUS304	
9	142-163-18	Spring Washer	8	M8	SUS304	
10	070-107-18	Cable Clamp	2		FC	
11	140-035-14	Hex.Bolt	4	M6x20	SUS304	
12	006-126-14	Stuffing Box	2	No.2	FC	
13	001-939-26	Power cable	1	3 Leads		
14	008-136-13	Mould Cover	1	KR2-1	CR	
15	009-276-19	Compression type Terminal	6	TMNB-5.5(Insulated)		
16	001-316-21	Power Cable	1	4 Leads		
17	008-143-13	Mould Cover	1	KR2-8	CR	
18	143-085-21	Pan Screw (w/Spring Washer)	1	M4x6	SWRM	
19	009-130-10	Terminal	1	R-5.5-4	CU	
20	072-125-47	Eye Bolt	2	M20	SS	
21	140-098-15	Hex.Bolt	4	M12x35	SUS304	
22	142-165-10	Spring Washer	4	M12	SUS304	
23	050-438-19	Motor Bracket	1		FC	
24	122-173-19	O-Ring	1	V-225(222.5xd6)	NBR	
25	142-198-12	Wave Washer	1	6306	SK5	
26	122-245-13	O-Ring	1	71.4xd3.1	NBR	
27	052-109-14	Bearing	1	6306ZZC3		
28	058-000-09	Lead Wire Protection Plate	1	d86xd224x1.6t	SPHC	
29	055-000-70	Rotor	1Set			
30	147-149-13	Impeller Key	1	12x8x65l	SUS403	
31	053-310-13	Motor Protector	3	9700K-76-215	(H)	
32		Stator	1Set			
33	064-507-13	Motor Frame	1		FC	
34	140-100-11	Hex.Bolt	4	M12x45	SUS304	
35	142-165-10	Spring Washer	4	M12	SUS304	
36	122-006-10	O-Ring	1	P-8(7.8xd1.9)	NBR	
37	144-550-12	Stator Set Bolt	1	M8x12.5	SUS304	
38	122-173-19	O-Ring	1	V-225(222.5xd6)	NBR	
39	140-032-37	Hex.Bolt	3	M6x15	SWRM	
40	062-224-17	Bearing Fixing Plate	1	d98xd140x4.5t	SS	
41	052-141-18	Bearing	1Set	6310ZZD2C3		
42	142-393-19	Bearing Washer	1	AW10	SUS	
43	141-000-02	Bearing Nut	1	AN10	SUS304	
44	140-104-15	Hex.Bolt	4	M12x65	SUS304	

PARTS LIST		CONTRACTOR PUMP			8/15/2013	
ITEM	PART No.	DESCRIPTION	QTY	SIZE	MATERIAL	NOTES
45	142-165-10	Spring Washer	4	M12	SUS304	
46	060-432-14	Bearing Housing	1		FC	
47	121-247-12	Packing	2	d12.3xd18x2t	PE	
48	035-113-18	Oil Plug	2	M12x14	SUS304	
49	140-099-16	Hex.Bolt	4	M12x40	SUS304	
50	142-165-10	Spring Washer	4	M12	SUS304	
51	025-197-15	Mechanical Seal	1	H-45	SiC	
52	143-070-23	Pan Screw	2	M5x6	SWRM	
53	030-140-19	Oil Lifter	1	H-45	Resin	
54	143-070-10	Pan Screw	3	M5x6	SWRM	
55	030-149-18	Seal Stopper	1	H-40/45	SPCC	
56	122-160-13	O-Ring	1	G-290(289.3xd5.7)	NBR	
57	029-271-16	Oil Casing	1	200/250-15-4B2	FC	
58	122-160-13	O-Ring	1	G-290(289.3xd5.7)	NBR	
59	140-000-56	Hex.Bolt(For 100mm)	8	M16x75	SWRM	
60	048-109-11	Screwed Flange(For 100mm)	1	JIS10Kx100mm(PF)	FC	
	048-000-40	Screwed Flange(For 100mm)	1	JIS10Kx100mm(PT)	FC	
61	121-106-34	Packing (For 100mm)	1	JIS10Kx100mm	NR	
62	037-000-32	Discharge Bend(For 100mm)	1	100x100mm(S-4)	FC	
63	121-153-10	Packing	1	160mm2(P.C.165)	NBR	
64	140-124-11	Hex.Bolt	4	M16x40	SUS304	
65	142-166-11	Spring Washer	4	M16	SUS304	
66	142-166-37	Spring Washer	8	M16	SWRH	
67	141-008-11	Hex.Nut	8	M16	SUS304	
68	046-107-13	Air Release Valve	1	PT-1/2	Nylon	
69	020-304-25	Pump Casing	1	55/75-BH	FC	
70	021-639-12	Impeller (50Hz)	1	100C415-52	FC	
70	021-640-16	Impeller (60Hz)	1	100C415-62	FC	
71	142-331-19	Impeller Fixing Washer	1	d18xd61x25t	SUS304	
72	144-501-18	Hex.Socket Set Screw	2	M10x20	SUS304	
73	140-321-10	Hex.Socket Cap Bolt	1	M16x60	SUS304	
74	120-102-11	Packing (S.Cover)		d301xd328x0.3t	PE	
75	022-330-13	Suction Cover	1	55/150-C	FCD	
76	142-165-10	Spring Washer	3	M12	SUS304	
77	140-097-14	Hex.Bolt	3	M12x30	SUS304	
78	023-155-28	Pump Stand	1	No.4	FCMB	
79	142-129-25	Plain Washer	3	M12	SPC	
80	140-099-16	Hex.Bolt	3	M12x40	SUS304	
		<Packing O-Ring Set>				
	173-538-14	Packing O-Ring Set	1Set	(Marked by *)		
24	122-173-19	O-Ring (M.Bracket/M.Frame)	1	V-225(222.5xd6)	NBR	
26	122-245-13	O-Ring (Upp. Bearing)	1	71.4xd3.1	NBR	
36	122-006-10	O-Ring (Stator Set Bolt)	1	P-8(7.8xd1.9)	NBR	
38	122-173-19	O-Ring (M.Frame/Brg.Housing)	1	V-225(222.5xd6)	NBR	

PARTS LIST		CONTRACTOR PUMP				8/15/2013
ITEM	PART No.	DESCRIPTION	QTY	SIZE	MATERIAL	NOTES

EXPLODED VIEW

100C415-52/62



C-00382-1