

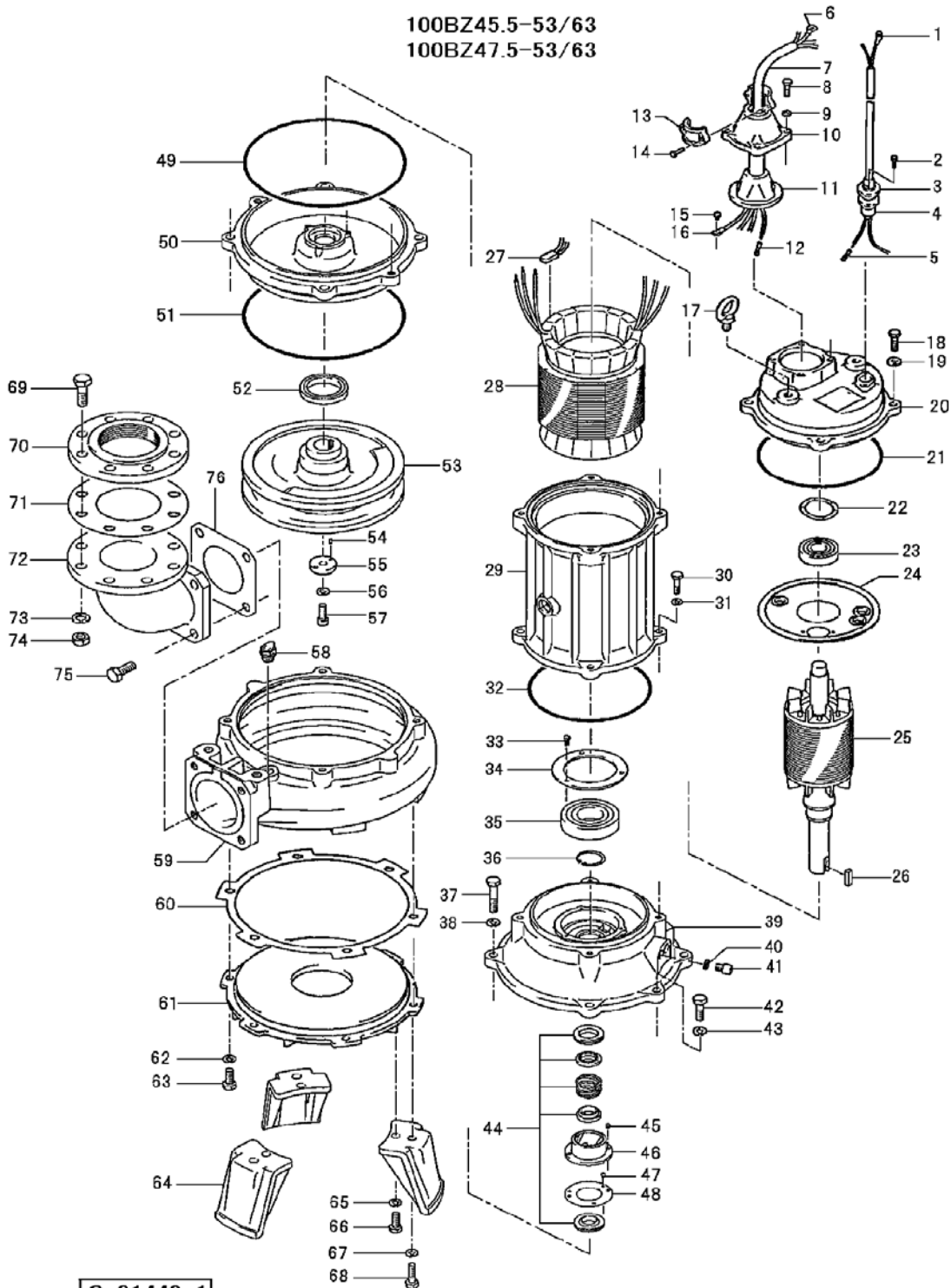
PARTS LIST		SEWAGE & WASTEWATER PUMPS			3/27/2013	
ITEM	PART No.	DESCRIPTION	QTY	SIZE	MATERIAL	NOTES
1	009-127-14	Terminal	2	R-1.25-4	CU	
2	140-427-17	Hex.Bolt (w/Plain Washer)	2	M5x15	SUS304	
3	003-190-10	Gland	1		SUS316	
4	001-448-36	Cabtyre Cable Set (10m)220V-60Hz(USA)	1	2PNCT2Cx1.25mm2	LB	
	001-448-36	Cabtyre Cable Set (10m)440V-60Hz(USA)	1	2PNCT2Cx1.25mm2	LB	
5	009-104-15	Solderless Terminal	2	TMVB-1.25	CU	
6	009-137-17	Termina	4	R-3.5-6	CU	
7	001-936-23	Cabtyre Cable Set (10m)220V-60Hz(USA)	1	2PNCT4Cx3.5mm2	KR-2	
	001-936-23	Cabtyre Cable Set (10m)440V-60Hz(USA)	1	2PNCT4Cx3.5mm2	KR-2	
8	140-055-10	Hex.Bolt	4	M8x25	SUS304	
9	142-163-18	Spring Washer	4	M8	SUS304	
10	006-126-14	Stuffing Box	1	No.2	FC	
11	008-142-12	Mould Cover 220V-60Hz(USA)	1	KR2-7	CR	
	008-142-12	Mould Cover 440V-60Hz(USA)	1	KR2-7	CR	
12	009-275-18	Compression type Terminal	3	TGNB-5.5(Insulated)	CU	
13	070-107-18	Cable Clamp	1		FC	
14	140-035-14	Hex.Bolt	2	M6x20	SUS304	
15	143-085-21	Pan Screw (w/Spring Washer)	1	M4x6	SWRM	
16	009-122-19	Terminal	1	R-3.5-4	CU	
17	072-102-22	Eye Bolt	2	M12	SUS304	
	142-398-14	Washer		d13xd24x0.3t	SUS304	
18	140-078-19	Hex.Bolt	4	M10x35	SUS304	
19	142-164-19	Spring Washer	4	M10	SUS304	
20	050-000-81	Motor Bracket	1		FC	
21	122-151-11	O-Ring	1	G-200(199.3xd5.7)	NBR	
22	142-000-07	Wave Washer	1	6305(d61xd51x4.5t)	SK5	
23	052-000-21	Bearing (w/O-ring)	1	AC-6305ZZC3		
24	058-184-11	Lead Wire Protection Plate	1	d90xd224x1.6t	SPHC	
25	055-000-67	Rotor	1Set			
26	147-067-16	Impeller Key	1	10x8x32l	SUS420	
27	053-310-13	Motor Protector	1	9700K-76-215	(H)	
28	056C1112	Stator 220V-60Hz(USA)	1Set			
	056C1213	Stator 440V-60Hz(USA)	1Set			
29	140-079-10	Hex.Bolt	4	M10x40	SUS304	
30	142-164-19	Spring Washer	4	M10	SUS304	
31	064-000-11	Motor Frame	1		FC	
32	122-151-11	O-Ring	1	G-200(199.3xd5.7)	NBR	
33	140-032-37	Hex.Bolt	3	M6x15	SWRM	
34	062-223-16	Bearing Fixing Plate	1	d92xd130x4.5t	SS	
35	052-112-10	Bearing	1	6309ZZC3		
36	146-027-11	Retaining Ring	1	C45	SK5	
37	140-104-15	Hex.Bolt	4	M12x65	SUS304	
38	142-165-10	Spring Washer	4	M12	SUS304	
39	060-429-18	Bearing Housing	1		FC	

PARTS LIST		SEWAGE & WASTEWATER PUMPS			3/27/2013	
ITEM	PART No.	DESCRIPTION	QTY	SIZE	MATERIAL	NOTES
40	121-247-12	Packing	2	d12.3xd18x2t	PE	
41	035-113-18	Oil Plug	2	M12x14	SUS304	
42	140-099-16	Hex.Bolt	2	M12x40	SUS304	
43	142-165-10	Spring Washer	2	M12	SUS304	
44	025-195-13	Mechanical Seal	1	H-35	SiC	
45	143-070-23	Pan Screw	2	M5x6	SWRM	
46	030-156-18	Oil Lifter	1	H-35(A)(T)	Resin	
47	143-070-10	Pan Screw	3	M5x6	SWRM	
48	030-150-12	Seal Stopper	1	H-35(A)(T)	SPCC	
49	122-159-19	O-Ring	1	G-280(279.3xd5.7)	NBR	
50	029-187-14	Oil Casing	1	100-5.5/7.5-4B2	FC	
51	122-159-19	O-Ring	1	G-280(279.3xd5.7)	NBR	
52	026-115-12	Oil Seal	1	TC-608212	NBR	
53	021A0211	Impeller (60Hz)	1	100BZ45.5-63	FC	
54	144-530-16	Hex. Socket Cap Screw	2	M6x15	SUS304	
55	142-202-10	Impeller Fixing Washer	1	d13xd50x15t	SUS304	
56	142-000-22	Spring Washer	1	M12(CP)	SUS304	
57	140-304-17	Hex.Socket Cap Bolt	1	M12x45	SUS304	
58	046-107-13	Air Release Valve	1	PT-1/2	Nylon	
59	020-858-16	Pump Casing	1	100-5.5/7.5-4BG	FC	
60	120-102-11	Packing (S.Cover)		d301xd328x0.3t	PE	
61	022-656-21	Suction Cover	1	100-5.5/7.5-4BG	FC	
62	142-165-10	Spring Washer	3	M12	SUS304	
63	140-097-14	Hex.Bolt	3	M12x30	SUS304	
64	023-288-18	Pump Stand	3	55/110-CE2	FC	
65	142-165-10	Spring Washer	3	M12	SUS304	
66	140-097-14	Hex.Bolt	3	M12x30	SUS304	
67	142-165-10	Spring Washer	3	M12	SUS304	
68	140-099-16	Hex.Bolt	3	M12x40	SUS304	
69	140-000-56	Hex.Bolt(For 100mm)	8	M16x75	SWRM	
70	048-139-10	Screwed Flange(For 100mm)	1	NPT-4(JIS10K)	FC	
71	121-106-34	Packing(For 100mm)	1	JIS10Kx100mm	NR	
72	037-000-32	Discharge Bend(For 100mm)	1	100x100mm(S-4)	FC	
73	142-166-37	Spring Washer	8	M16	SWRH	
74	141-008-11	Hex.Nut	8	M16	SUS304	
75	140-124-11	Hex.Bolt	4	M16x40	SUS304	
76	121-153-10	Packing	1	160mm2(P.C.165)	NBR	
		<Packing O-Ring Set>				
	173-535-11	Packing O-Ring Set	1Set	(Marked by *)		
21	122-151-11	O-Ring (M.Bracket/M.Frame)	1	G-200(199.3xd5.7)	NBR	
32	122-151-11	O-Ring (M.Frame/Brg.Housing)	1	G-200(199.3xd5.7)	NBR	
40	121-247-12	Packing (Oil Plug)	2	d12.3xd18x2t	PE	
49	122-159-19	O-Ring (Brg.Housing/O.Casing)	1	G-280(279.3xd5.7)	NBR	
51	122-159-19	O-Ring (O.Casing/P.Casing)	1	G-280(279.3xd5.7)	NBR	

PARTS LIST		SEWAGE & WASTEWATER PUMPS			3/27/2013	
ITEM	PART No.	DESCRIPTION	QTY	SIZE	MATERIAL	NOTES

EXPLODED VIEW

100BZ45.5-53/63
100BZ47.5-53/63



C-01449-1