

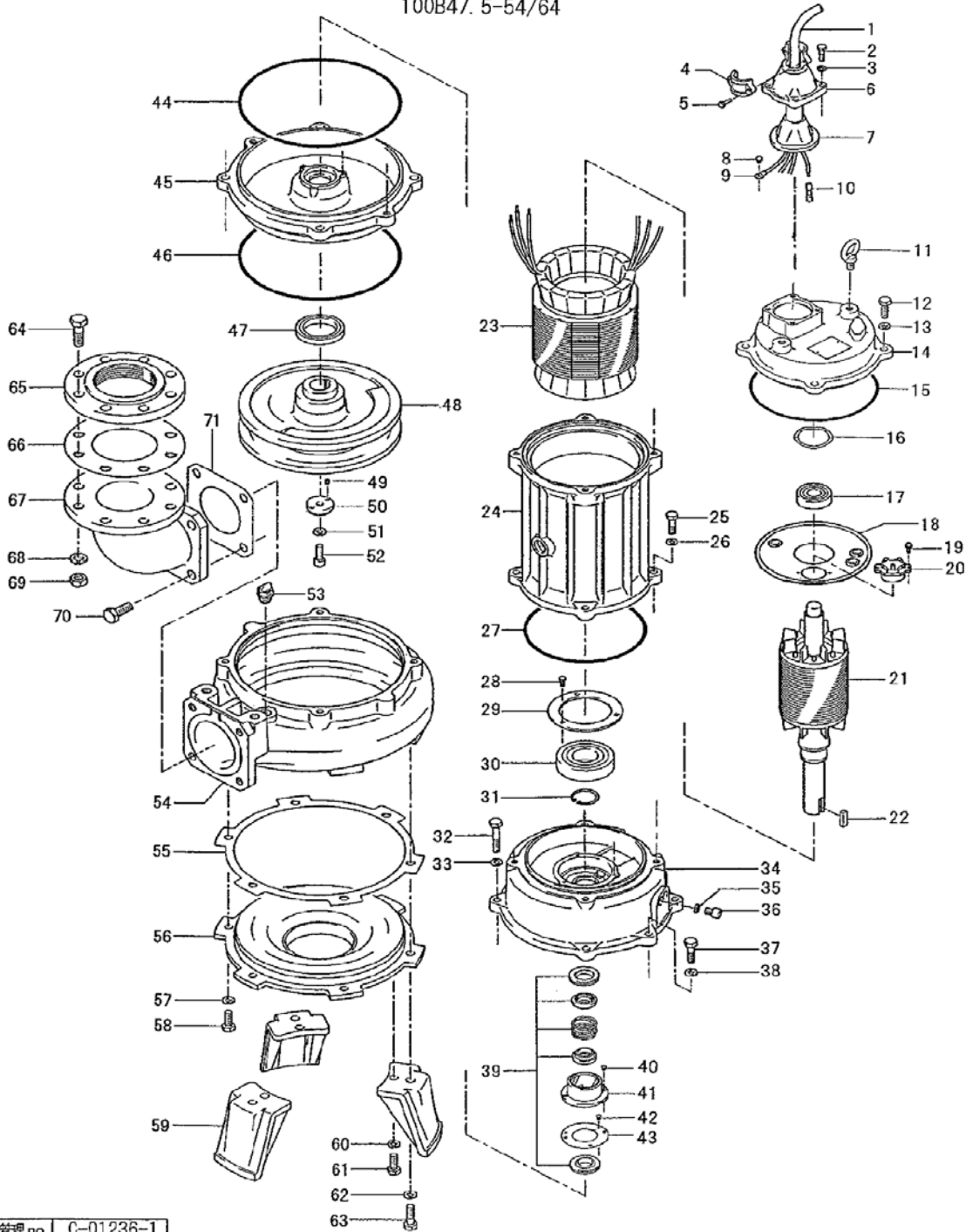
| PARTS LIST | | SEWAGE & WASTEWATER PUMPS | | | 3/26/2013 | |
|------------|------------|--|------|---------------------|-----------|-------|
| ITEM | PART No. | DESCRIPTION | QTY | SIZE | MATERIAL | NOTES |
| 1 | 001-938-12 | Cabtyre Cable Set (8m)220V-60Hz | 1 | 2PNCT4Cx5.5mm2 | KR-2 | |
| | 001-938-12 | Cabtyre Cable Set (8m)380/400/415V-50Hz | 1 | 2PNCT4Cx5.5mm2 | KR-2 | |
| | 001-005-20 | Cabtyre Cable Set (10m)380/400/415V-50Hz(EUR) | 1 | H07RN4Gx4mm2(Gray) | KR-2(HAR) | |
| | 001-938-12 | Cabtyre Cable Set (8m)380/440/460V-60Hz | 1 | 2PNCT4Cx5.5mm2 | KR-2 | |
| 2 | 140-055-10 | Hex.Bolt | 4 | M8x25 | SUS304 | |
| 3 | 142-163-18 | Spring Washer | 4 | M8 | SUS304 | |
| 4 | 070-107-18 | Cable Clamp | 1 | | FC | |
| 5 | 140-035-14 | Hex.Bolt | 2 | M6x20 | SUS304 | |
| 6 | 006-126-14 | Stuffing Box | 1 | No.2 | FC | |
| 7 | 008-143-13 | Mould Cover 220V-60Hz | 1 | KR2-8 | CR | |
| | 008-143-13 | Mould Cover 380/400/415V-50Hz | 1 | KR2-8 | CR | |
| | 008-138-15 | Mould Cover 380/400/415V-50Hz(EUR) | 1 | KR2-3 | CR | |
| | 008-143-13 | Mould Cover 380/440/460V-60Hz | 1 | KR2-8 | CR | |
| 8 | 143-085-21 | Pan Screw (w/Spring Washer) | 1 | M4x6 | SWRM | |
| 9 | 009-130-10 | Terminal | 1 | R-5.5-4 | CU | |
| 10 | 009-276-19 | Compression type Terminal 220V-60Hz | 3 | TMNB-5.5(Insulated) | | |
| | 009-276-19 | Compression type Terminal 380/400/415V-50Hz | 3 | TMNB-5.5(Insulated) | | |
| | 009-276-19 | Compression type Terminal 380/400/415V-50Hz(EUR) | 3 | TMNB-5.5(Insulated) | | |
| | 009-276-19 | Compression type Terminal 380/440/460V-60Hz | 3 | TMNB-5.5(Insulated) | | |
| 11 | 072-107-14 | Eye Bolt | 2 | M16 | SS | |
| | 142-399-15 | Washer | | d17xd29x0.1t | SUS304 | |
| | 142-400-10 | Washer | | d17xd29x0.3t | SUS304 | |
| 12 | 140-098-15 | Hex.Bolt | 4 | M12x35 | SUS304 | |
| 13 | 142-165-10 | Spring Washer | 4 | M12 | SUS304 | |
| 14 | 050-000-79 | Motor Bracket | 1 | | FC | |
| 15 | 122-173-19 | O-Ring | 1 | V-225(222.5xd6) | NBR | |
| 16 | 142-000-08 | Wave Washer | 1 | 6306B(d71xd59x4.0t) | SK5 | |
| 17 | 052-000-25 | Bearing (w/O-ring) | 1 | AC-6306ZZC3 | | |
| 18 | 058-000-09 | Lead Wire Protection Plate | 1 | d86xd224x1.6t | SPHC | |
| 19 | 143-126-12 | Pan Screw (w/Spring Washer/Plain Washer) | 2 | M4x12 | SWRM | |
| 20 | 053-456-12 | Motor Protector 220V-60Hz | 1 | KA314-HLBL00 | (H.C) | |
| | 053-485-10 | Motor Protector 380/400/415V-50Hz | 1 | KA314-HKXL00 | (H.C) | |
| | 053-485-10 | Motor Protector 380/400/415V-50Hz(EUR) | 1 | KA314-HKXL00 | (H.C) | |
| | 053-485-10 | Motor Protector 380/440/460V-60Hz | 1 | KA314-HKXL00 | (H.C) | |
| 21 | 055-000-68 | Rotor | 1Set | | | |
| 22 | 147-067-16 | Impeller Key | 1 | 10x8x32l | SUS420 | |
| 23 | 056C0119 | Stator 220V-60Hz | 1Set | | | |
| | 056C0210 | Stator 380/400/415V-50Hz | 1Set | | | |
| | 056C0210 | Stator 380/400/415V-50Hz(EUR) | 1Set | | | |
| | 056C0210 | Stator 380/440/460V-60Hz | 1Set | | | |
| 24 | 064-000-12 | Motor Frame | 1 | | FC | |
| 25 | 140-100-11 | Hex.Bolt | 4 | M12x45 | SUS304 | |
| 26 | 142-165-10 | Spring Washer | 4 | M12 | SUS304 | |
| 27 | 122-173-19 | O-Ring | 1 | V-225(222.5xd6) | NBR | |

| PARTS LIST | | SEWAGE & WASTEWATER PUMPS | | | 3/26/2013 | |
|------------|------------|---------------------------|-----|-------------------|-----------|-------|
| ITEM | PART No. | DESCRIPTION | QTY | SIZE | MATERIAL | NOTES |
| 28 | 140-032-37 | Hex.Bolt | 3 | M6x15 | SWRM | |
| 29 | 062-223-16 | Bearing Fixing Plate | 1 | d92xd130x4.5t | SS | |
| 30 | 052-112-10 | Bearing | 1 | 6309ZZC3 | | |
| 31 | 146-027-11 | Retaining Ring | 1 | C45 | SK5 | |
| 32 | 140-104-15 | Hex.Bolt | 4 | M12x65 | SUS304 | |
| 33 | 142-165-10 | Spring Washer | 4 | M12 | SUS304 | |
| 34 | 060-430-12 | Bearing Housing | 1 | | FC | |
| 35 | 121-247-12 | Packing | 2 | d12.3xd18x2t | PE | |
| 36 | 035-113-18 | Oil Plug | 2 | M12x14 | SUS304 | |
| 37 | 140-099-16 | Hex.Bolt | 2 | M12x40 | SUS304 | |
| 38 | 142-165-10 | Spring Washer | 2 | M12 | SUS304 | |
| 39 | 025-280-16 | Mechanical Seal | 1 | H-35A | SiC+CCBN | |
| 40 | 143-070-23 | Pan Screw | 2 | M5x6 | SWRM | |
| 41 | 030-156-18 | Oil Lifter | 1 | H-35(A)(T) | Resin | |
| 42 | 143-070-10 | Pan Screw | 3 | M5x6 | SWRM | |
| 43 | 030-150-12 | Seal Stopper | 1 | H-35(A)(T) | SPCC | |
| 44 | 122-159-19 | O-Ring | 1 | G-280(279.3xd5.7) | NBR | |
| 45 | 029-187-14 | Oil Casing | 1 | 100-5.5/7.5-4B2 | FC | |
| 46 | 122-159-19 | O-Ring | 1 | G-280(279.3xd5.7) | NBR | |
| 47 | 026-115-12 | Oil Seal | 1 | TC-608212 | NBR | |
| 48 | 021-805-24 | Impeller (50Hz) | 1 | 100B47.5-54 | FC | |
| 48 | 021-806-25 | Impeller (60Hz) | 1 | 100B47.5-64 | FC | |
| 49 | 144-530-16 | Hex.Socket Set Screw | 2 | M6x15 | SUS304 | |
| 50 | 142-202-10 | Impeller Fixing Washer | 1 | d13xd50x15t | SUS304 | |
| 51 | 142-000-22 | Spring Washer | 1 | M12(CP) | SUS304 | |
| 52 | 140-304-17 | Hex.Socket Cap Bolt | 1 | M12x45 | SUS304 | |
| 53 | 046-107-13 | Air Release Valve | 1 | PT-1/2 | Nylon | |
| 54 | 020-531-23 | Pump Casing | 1 | 100-5.5/7.5-4B2 | FC | |
| 55 | 120-102-11 | Packing (S.Cover) | | d301xd328x0.3t | PE | |
| 56 | 022-521-13 | Suction Cover | 1 | 100-5.5/7.5-4B2 | FC | |
| 57 | 142-165-10 | Spring Washer | 3 | M12 | SUS304 | |
| 58 | 140-097-14 | Hex.Bolt | 3 | M12x30 | SUS304 | |
| 59 | 023-288-18 | Pump Stand | 3 | 55/110-CE2 | FC | |
| 60 | 142-165-10 | Spring Washer | 3 | M12 | SUS304 | |
| 61 | 140-097-14 | Hex.Bolt | 3 | M12x30 | SUS304 | |
| 62 | 142-165-10 | Spring Washer | 3 | M12 | SUS304 | |
| 63 | 140-099-16 | Hex.Bolt | 3 | M12x40 | SUS304 | |
| 64 | 140-000-56 | Hex.Bolt(For 100mm) | 8 | M16x75 | SWRM | |
| 64 | 140-130-36 | Hex.Bolt(For 80mm) | 8 | M16x70 | SWRM | |
| 65 | 048-000-40 | Screwed Flange(For 100mm) | 1 | JIS10Kx100mm(PT) | FC | |
| 65 | 048-000-39 | Screwed Flange(For 80mm) | 1 | JIS10Kx80mm(PT) | FC | |
| 66 | 121-106-34 | Packing(For 100mm) | 1 | JIS10Kx100mm | NR | |
| 66 | 121-105-33 | Packing(For 80mm) | 1 | JIS10Kx80mm | NR | |
| 67 | 037-000-32 | Discharge Bend(For 100mm) | 1 | 100x100mm(S-4) | FC | |

| PARTS LIST | | SEWAGE & WASTEWATER PUMPS | | | 3/26/2013 | |
|------------|----------|---------------------------|-----|------|-----------|-------|
| ITEM | PART No. | DESCRIPTION | QTY | SIZE | MATERIAL | NOTES |

EXPLODED VIEW

100B47.5-54/64



管理 no. C-01236-1