

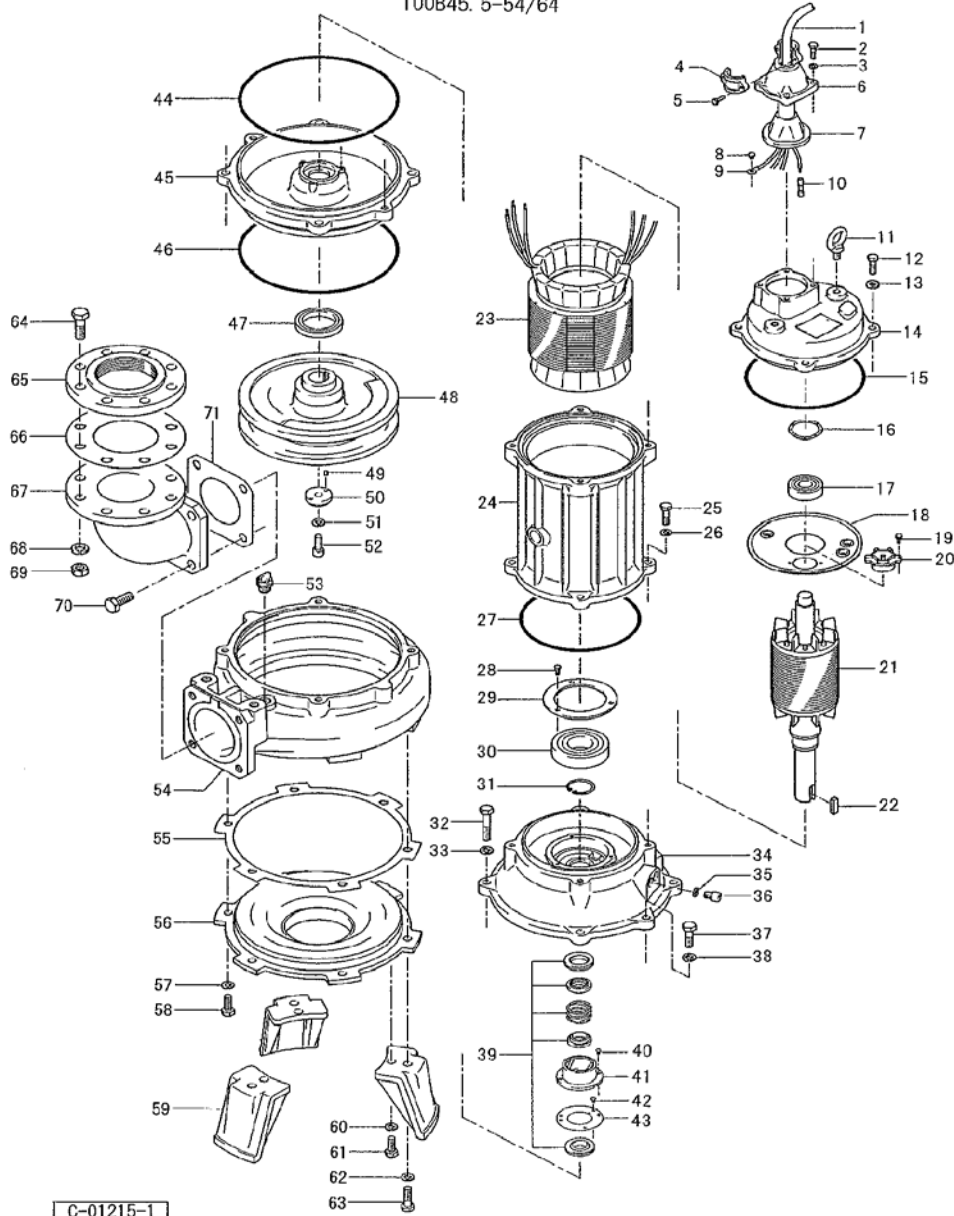
PARTS LIST		SEWAGE & WASTEWATER PUMPS			3/26/2013	
ITEM	PART No.	DESCRIPTION	QTY	SIZE	MATERIAL	NOTES
1	001-315-20	Cable Set (32')	1	AWG12x4Cx32'		
2	140-055-10	Hex.Bolt	4	M8x25	SUS304	
3	142-163-18	Spring Washer	4	M8	SUS304	
4	070-107-18	Cable Clamp	1		FC	
5	140-035-14	Hex.Bolt	2	M6x20	SUS304	
6	006-126-14	Stuffing Box	1	No.2	FC	
7	008-142-12	Mould Cover 220V-60Hz	1	KR2-7	CR	
	008-142-12	Mould Cover 380/400/415V-50Hz	1	KR2-7	CR	
	008-136-13	Mould Cover 380/400/415V-50Hz(EUR)	1	KR2-1	CR	
	008-142-12	Mould Cover 440V-60Hz	1	KR2-7	CR	
8	143-085-21	Pan Screw (w/Spring Washer)	1	M4x6	SWRM	
9	009-122-19	Terminal	1	R-3.5-4	CU	
10	009-275-18	Compression type Terminal 220V-60Hz	3	TGNB-5.5(Insulated)	CU	
	009-275-18	Compression type Terminal 380/400/415V-50Hz	3	TGNB-5.5(Insulated)	CU	
	009-275-18	Compression type Terminal 380/400/415V-50Hz(EUR)	3	TGNB-5.5(Insulated)	CU	
	009-275-18	Compression type Terminal 440V-60Hz	3	TGNB-5.5(Insulated)	CU	
11	072-102-48	Eve Bolt	2	M12	SS	
	142-397-13	Washer		d13xd24x0.1t	SUS304	
	142-398-14	Washer		d13xd24x0.3t	SUS304	
12	140-078-19	Hex.Bolt	4	M10x35	SUS304	
13	142-164-19	Spring Washer	4	M10	SUS304	
14	050-000-78	Motor Bracket	1		FC	
15	122-151-11	O-Ring	1	G-200(199.3xd5.7)	NBR	
16	142-000-07	Wave Washer	1	6305(d61xd51x4.5t)	SK5	
17	052-000-21	Bearing (w/O-ring)	1	AC-6305ZZC3		
18	058-184-11	Lead Wire Protection Plate	1	d90xd224x1.6t	SPHC	
19	143-126-12	Pan Screw (w/Spring Washer/Plain Washer)	2	M4x12	SWRM	
20	053-498-16	Motor Protector 220V-60Hz	1	KA314-HLXL203	(B.C)	
	053-439-22	Motor Protector 380/400/415V-50Hz	1	KA314-HMXL00	(H.C)	
	053-439-22	Motor Protector 380/400/415V-50Hz(EUR)	1	KA314-HMXL00	(H.C)	
	053-439-22	Motor Protector 440V-60Hz	1	KA314-HMXL00	(H.C)	
21	055-000-67	Rotor	1Set			
22	147-067-16	Impeller Key	1	10x8x32l	SUS420	
23	056C1112	Stator 220V-60Hz	1Set			
	056C1213	Stator 380/400/415V-50Hz	1Set			
	056C1213	Stator 380/400/415V-50Hz(EUR)	1Set			
	056C1213	Stator 440V-60Hz	1Set			
24	064-000-11	Motor Frame	1		FC	
25	140-079-10	Hex.Bolt	4	M10x40	SUS304	
26	142-164-19	Spring Washer	4	M10	SUS304	
27	122-151-11	O-Ring	1	G-200(199.3xd5.7)	NBR	
28	140-032-37	Hex.Bolt	3	M6x15	SWRM	
29	062-223-16	Bearing Fixing Plate	1	d92xd130x4.5t	SS	
30	052-112-10	Bearing	1	6309ZZC3		

PARTS LIST		SEWAGE & WASTEWATER PUMPS			3/26/2013	
ITEM	PART No.	DESCRIPTION	QTY	SIZE	MATERIAL	NOTES
31	146-027-11	Retaining Ring	1	C45	SK5	
32	140-104-15	Hex.Bolt	4	M12x65	SUS304	
33	142-165-10	Spring Washer	4	M12	SUS304	
34	060-429-18	Bearing Housing	1		FC	
35	121-247-12	Packing	2	d12.3xd18x2t	PE	
36	035-113-18	Oil Plug	2	M12x14	SUS304	
37	140-099-16	Hex.Bolt	2	M12x40	SUS304	
38	142-165-10	Spring Washer	2	M12	SUS304	
39	025-280-16	Mechanical Seal	1	H-35A	SiC+CCBN	
40	143-070-23	Pan Screw	2	M5x6	SWRM	
41	030-156-18	Oil Lifter	1	H-35(A)(T)	Resin	
42	143-070-10	Pan Screw	3	M5x6	SWRM	
43	030-150-12	Seal Stopper	1	H-35(A)(T)	SPCC	
44	122-159-19	O-Ring	1	G-280(279.3xd5.7)	NBR	
45	029-187-14	Oil Casing	1	100-5.5/7.5-4B2	FC	
46	122-159-19	O-Ring	1	G-280(279.3xd5.7)	NBR	
47	026-115-12	Oil Seal	1	TC-608212	NBR	
48	021-803-22	Impeller (50Hz)	1	100B45.5-54	FC	
48	021-804-10	Impeller (60Hz)	1	100B45.5-64	FC	
49	144-530-16	Hex.Socket Set Screw	2	M6x15	SUS304	
50	142-202-10	Impeller Fixing Washer	1	d13xd50x15t	SUS304	
51	142-000-22	Spring Washer	1	M12(CP)	SUS304	
52	140-304-17	Hex.Socket Cap Bolt	1	M12x45	SUS304	
53	046-107-13	Air Release Valve	1	PT-1/2	Nylon	
54	020-531-23	Pump Casing	1	100-5.5/7.5-4B2	FC	
55	120-102-11	Packing (S.Cover)		d301xd328x0.3t	PE	
56	022-521-13	Suction Cover	1	100-5.5/7.5-4B2	FC	
57	142-165-10	Spring Washer	3	M12	SUS304	
58	140-097-14	Hex.Bolt	3	M12x30	SUS304	
59	023-288-18	Pump Stand	3	55/110-CE2	FC	
60	142-165-10	Spring Washer	3	M12	SUS304	
61	140-097-14	Hex.Bolt	3	M12x30	SUS304	
62	142-165-10	Spring Washer	3	M12	SUS304	
63	140-099-16	Hex.Bolt	3	M12x40	SUS304	
64	140-000-56	Hex.Bolt(For 100mm)	8	M16x75	SWRM	
64	140-130-36	Hex.Bolt(For 80mm)	8	M16x70	SWRM	
65	048-000-40	Screwed Flange(For 100mm)	1	JIS10Kx100mm(PT)	FC	
65	048-000-39	Screwed Flange(For 80mm)	1	JIS10Kx80mm(PT)	FC	
66	121-106-34	Packing(For 100mm)	1	JIS10Kx100mm	NR	
66	121-105-33	Packing(For 80mm)	1	JIS10Kx80mm	NR	
67	037-000-32	Discharge Bend(For 100mm)	1	100x100mm(S-4)	FC	
67	037-155-18	Discharge Bend(For 80mm)	1	100x80mm(S-4B)	FC	
68	142-166-37	Spring Washer	8	M16	SWRH	
69	141-008-11	Hex.Nut	8	M16	SUS304	

PARTS LIST		SEWAGE & WASTEWATER PUMPS			3/26/2013	
ITEM	PART No.	DESCRIPTION	QTY	SIZE	MATERIAL	NOTES

EXPLODED VIEW

100B45.5-54/64



C-01215-1