

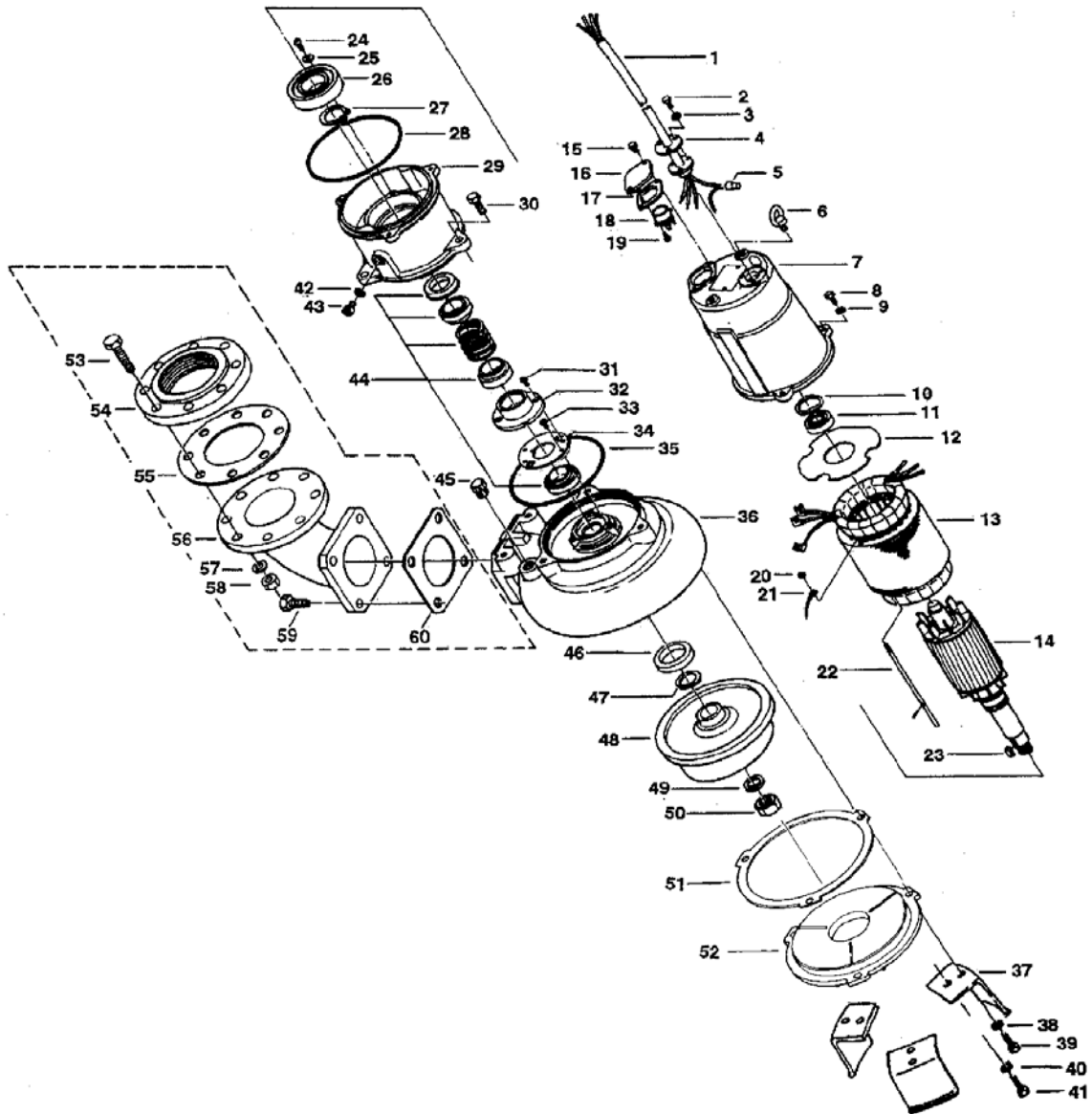
PARTS LIST		SUBMERSIBLE SEWAGE PUMP			3/13/2014	
ITEM	PART No.	DESCRIPTION	QTY	SIZE	MATERIAL	NOTES
1	001-149-21	Cabtyre Cable Set (32') 220V-60Hz(USA)	1	VCT4Cx2mm2	BE/CE	
	001-148-33	Cabtyre Cable Set (32') 440V-60Hz(USA)	1	VCT4Cx1.25mm2	BE/CE	
2	140-021-17	Hex.Bolt	3	M5x20	SUS304	
3	142-422-18	Seal Washer	3	PM-5	SUS+NBR	
4	003-111-20	Gland	1		SUS304	
5	009-146-19	Terminal	4	CE-5	CU	
6	072-100-20	Eye Bolt	2	M10	SUS304	
7	064-509-15	Motor Frame	1		FC	
8	140-055-10	Hex.Bolt	3	M8x25	SUS304	
9	142-163-18	Spring Washer	3	M8	SUS304	
10	142-196-10	Wave Washer	1	6205/6304	SK5	
11	052-188-17	Bearing (w/O-ring)	1	AC-6304ZZC3		
12	058-000-46	Lead Wire Protection Plate	1	d66xd148x1.6t	Bakelite	replaces OLD part# 058-117-13
13	056-596-14	Stator 220V-60Hz(USA)	1Set			
	056-002-45	Stator 440V-60Hz(USA)	1Set			
14	055-608-17	Rotor	1Set			
15	140-053-18	Hex.Bolt	2	M8x18	SUS304	
16	127-195-12	Protector Fixing Plate	1	22/37-BE2	SUS304	
17	121-446-13	Packing	1	22/37-BE2	NBR	*
18	053-241-25	Motor Protector 220V-60Hz(USA)	1	KA313-GGXL110	(T.C)	
	053-254-18	Motor Protector 440V-60Hz(USA)	1	KA313-GCXL103	(H.C)	
19	143-087-23	Pan Screw (w/Spring Washer)	2	M4x10	SWRM	
20	141-004-59	Hex.Nut	1	M6	SWRM	
21	009-159-15	Terminal	1	R-2-6	CU	
22	129-004-19	Stopper	1	M6x160(20/66)	SS	
23	147-081-16	Impeller Key	1	7x7x22L	SUS420	
24	143-042-13	Pan Screw	3	M6x10	SWRM	
25	062-196-19	Bearing Fixing Washer	3	d8xd20.5x2.3t	SS	
26	052-110-18	Bearing	1	6307ZZC3		
27	146-022-16	Retaining Ring	1	C35	SK5	
28	122-333-19	O-Ring	1	170xd3.1	NBR	*
29	060-373-16	Bearing Housing	1		FC	
30	140-098-15	Hex.Bolt	3	M12x35	SUS304	
31	143-070-23	Pan Screw	2	M5x6	SWRM	
32	030-142-11	Oil Lifter	1	H-30(A)(T)	Resin	
33	143-070-10	Pan Screw	3	M5x6	SWRM	
34	030-151-13	Seal Stopper	1	H-30(A)(T)	SPCC	
35	122-246-14	O-Ring	1	180xd3.1	NBR	*
36	020-526-12	Pump Casing	1	22-BE2/CE2	FC	
37	023-469-15	Pump Stand	3	22/37-BE3	SPHC	
38	142-165-10	Spring Washer	3	M12	SUS304	
39	140-098-15	Hex.Bolt	3	M12x35	SUS304	
40	142-163-18	Spring Washer	3	M8	SUS304	
41	140-054-19	Hex.Bolt	3	M8x20	SUS304	

* Indicates items included in set

PARTS LIST		SUBMERSIBLE SEWAGE PUMP			3/13/2014	
ITEM	PART No.	DESCRIPTION	QTY	SIZE	MATERIAL	NOTES

EXPLODED VIEW

80B42.2-52/62
100B42.2-52/62



C-00486-1