

PARTS LIST		NON-CLOG WASTEWATER PUMP			11/15/2013	
ITEM	PART No.	DESCRIPTION	QTY	SIZE	MATERIAL	NOTES
1	001-149-21	Cabtyre Cable Set (32') USA	1	VCT4Cx2mm2	BE/CE	
2	140-021-17	Hex.Bolt	3	M5x20	SUS304	
3	142-422-18	Seal Washer	3	PM-5	SUS+NBR	
4	003-111-20	Gland	1		SUS304	
5	009-146-19	Terminal	4	CE-5	CU	
6	140-052-17	Hex.Bolt	2	M8x16	SUS304	
7	127-195-12	Protector Fixing Plate	1	22/37-BE2	SUS304	
8	121-446-13	Packing	1	22/37-BE2	NBR	*
9	053-473-15	Motor Protector 220V-60Hz	1	KA313-GDZL103	(T.C)	
9	053-474-16	Motor Protector 440/460/480V-60Hz	1	KA313-GQZL104	(T.C)	
10	143-126-12	Pan Screw (w/Spring Washer/Plain Washer)	2	M4x12	SWRM	
11	072-100-17	Eye Bolt	2	M10	SF	
12	064-514-13	Motor Frame (2nd)	1		FC	
13	140-055-10	Hex.Bolt	3	M8x25	SUS304	
14	142-163-18	Spring Washer	3	M8	SUS304	
15	009-116-10	Terminal	1	R-2-4	CU	
16	143-124-10	Pan Screw (w/Spring Washer/Plain Washer)	1	M4x6	SWRM	
17	142-196-10	Wave Washer	1	6205/6304	SK5	
18	122-367-12	O-Ring	1	52xd3.1	NBR	*
19	052-107-12	Bearing (1st)	1	6304ZZC3		
19	052-188-17	Bearing (w/O-ring)(2nd)	1	AC-6304ZZC3		
20	058-117-13	Lead Wire Protection Plate	1	d70xd140x1.6t	Bakelite	
21	056-669-19	Stator 220V-60Hz	1Set			
21	056-677-10	Stator 440V-60Hz	1Set			
22	055-668-15	Rotor (1st)	1Set	w/Bearing		DISCONTINUED
22	055-732-11	Rotor (2nd)	1Set	w/Bearing		
23	147-081-16	Impeller Key	1	7x7x22L	SUS420	
24	061-170-14	Bearing Collar	1	d35.1xd46x2t	SPCC	
25	143-042-13	Pan Screw	3	M6x10	SWRM	
26	062-196-19	Bearing Fixing Washer	3	d8xd20.5x2.3t	SS	
27	052-110-18	Bearing	1	6307ZZC3		
28	146-022-16	Retaining Ring	1	C35	SK5	
29	122-333-19	O-Ring	1	170xd3.1	NBR	*
30	071-302-18	Collar	1	32l	SECC	DISCONTINUED
31	140-098-15	Hex.Bolt	3	M12x35	SUS304	
32	060-454-12	Bearing Housing	1		FC	
33	121-247-12	Packing	1	d12.3xd18x2t	PE	*
34	035-113-18	Oil Plug	1	M12x14	SUS304	
35	025-194-12	Mechanical Seal	1	H-30	SiC	
36	143-070-23	Pan Screw	2	M5x6	SWRM	
37	030-142-11	Oil Lifter	1	H-30(A)(T)	Resin	
38	143-070-10	Pan Screw	3	M5x6	SWRM	
39	030-151-13	Seal Stopper	1	H-30(A)(T)	SPCC	
40	122-246-14	O-Ring	1	180xd3.1	NBR	*

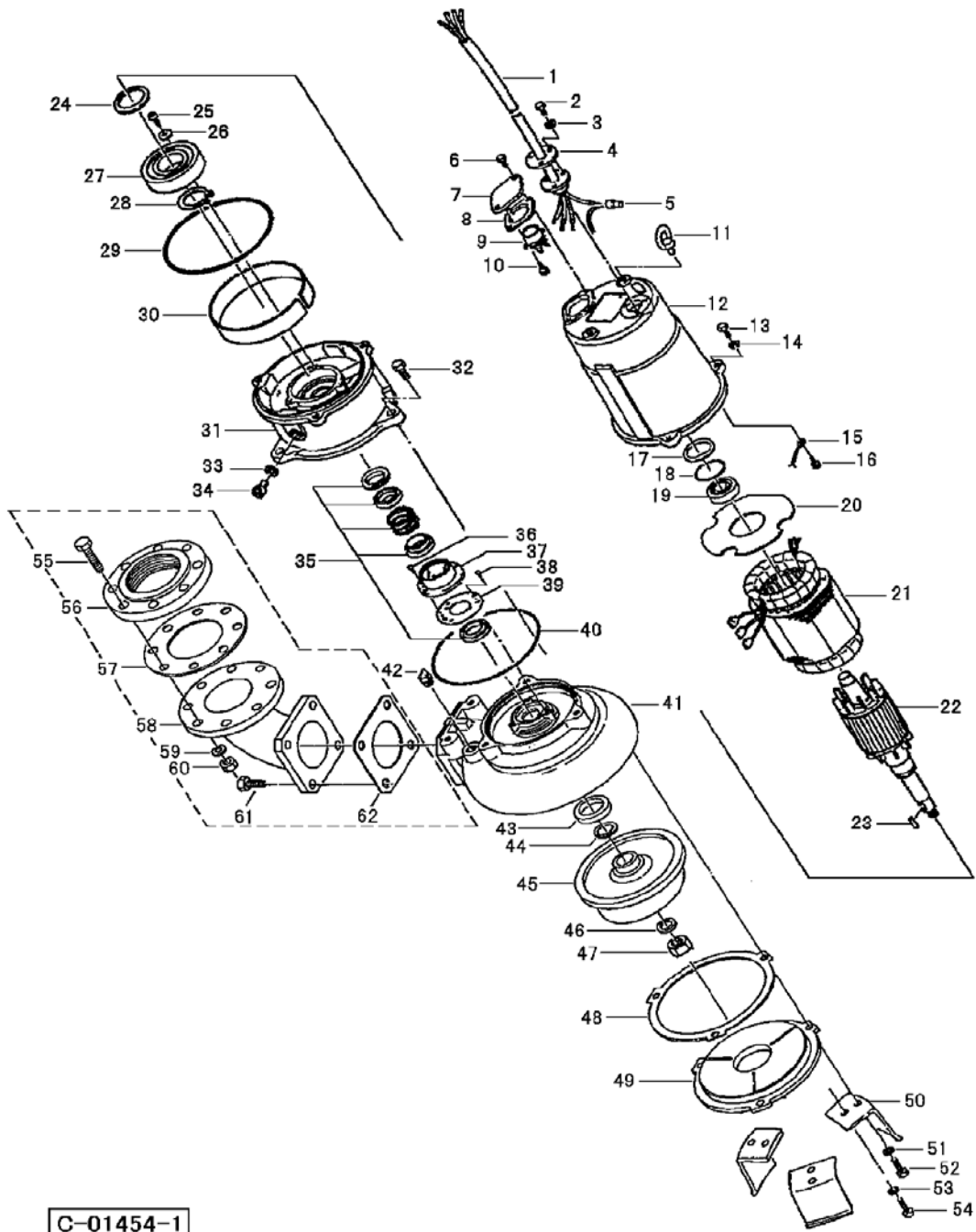
* Indicates items included in set

PARTS LIST		NON-CLOG WASTEWATER PUMP			11/15/2013	
ITEM	PART No.	DESCRIPTION	QTY	SIZE	MATERIAL	NOTES
41	020-526-12	Pump Casing	1	22-BE2/CE2	FC	
42	046-107-13	Air Release Valve	1	PT-1/2	Nylon	
43	026-111-18	Oil Seal	1	TC-456812	NBR	
44	040-107-28	Impeller Shim		d25.2xd38x0.3t	SUS304	
45	021-796-18	Impeller (60Hz)	1	100B42.2-61	FC	
46	142-168-13	Spring Washer	1	M20	SUS304	
47	141-009-12	Hex.Nut	1	M20	SUS304	
48	120-104-13	Packing (S.Cover)		d230.5xd258x0.3t	M-Sheet	
49	022-737-14	Suction Cover	1	22/37-BE3	FC	
50	023-469-15	Pump Stand	3	22/37-BE3	SPHC	
51	142-165-10	Spring Washer	3	M12	SUS304	
52	140-098-15	Hex.Bolt	3	M12x35	SUS304	
53	142-163-18	Spring Washer	3	M8	SUS304	
54	140-054-19	Hex.Bolt	3	M8x20	SUS304	
55	140-000-56	Hex.Bolt	8	M16x75	SWRM	
56	048-139-10	Screwed Flange	1	NPT-4(JIS10K)	FC	
57	121-106-34	Packing (For 100mm)	1	JIS10Kx100mm	NR	
58	037-170-19	Discharge Bend(For 100mm)	1	80x100mm	FC	
59	142-166-37	Spring Washer	8	M16	SWRH	
60	141-008-11	Hex.Nut	8	M16	SUS304	
61	140-124-11	Hex.Bolt	4	M16x40	SUS304	
62	121-152-19	Packing	1	145mm2(P.C.145)	NBR	*
		Packing O-Ring Set				
	173-474-11	Packing O-Ring Set	1Set	(Marked by *)		
8	121-446-13	Packing (Protector Fixing Plate)	1	22/37-BE2	NBR	*
18	122-367-12	O-Ring (Upp. Bearing)	1	52xd3.1	NBR	*
29	122-333-19	O-Ring (M.Frame/Brq.Housing)	1	170xd3.1	NBR	*
33	121-247-12	Packing (Oil Plug)	1	d12.3xd18x2t	PE	*
40	122-246-14	O-Ring (Brq.Housing/P.Casing)	1	180xd3.1	NBR	*
62	121-152-19	Packing (Discharge Bend)	1	145mm2(P.C.145)	NBR	*
		Lubricant		Turbine Oil VG32 1,300ml		
		Use guide rail:				
		TOS3-80x100		(TOS3-6-2-1)		
		TOS3-80x80		(TOS3-4-2-1)		

PARTS LIST		NON-CLOG WASTEWATER PUMP			11/15/2013	
ITEM	PART No.	DESCRIPTION	QTY	SIZE	MATERIAL	NOTES

EXPLODED VIEW

100B42.2-51/61(22-BE4)



C-01454-1