

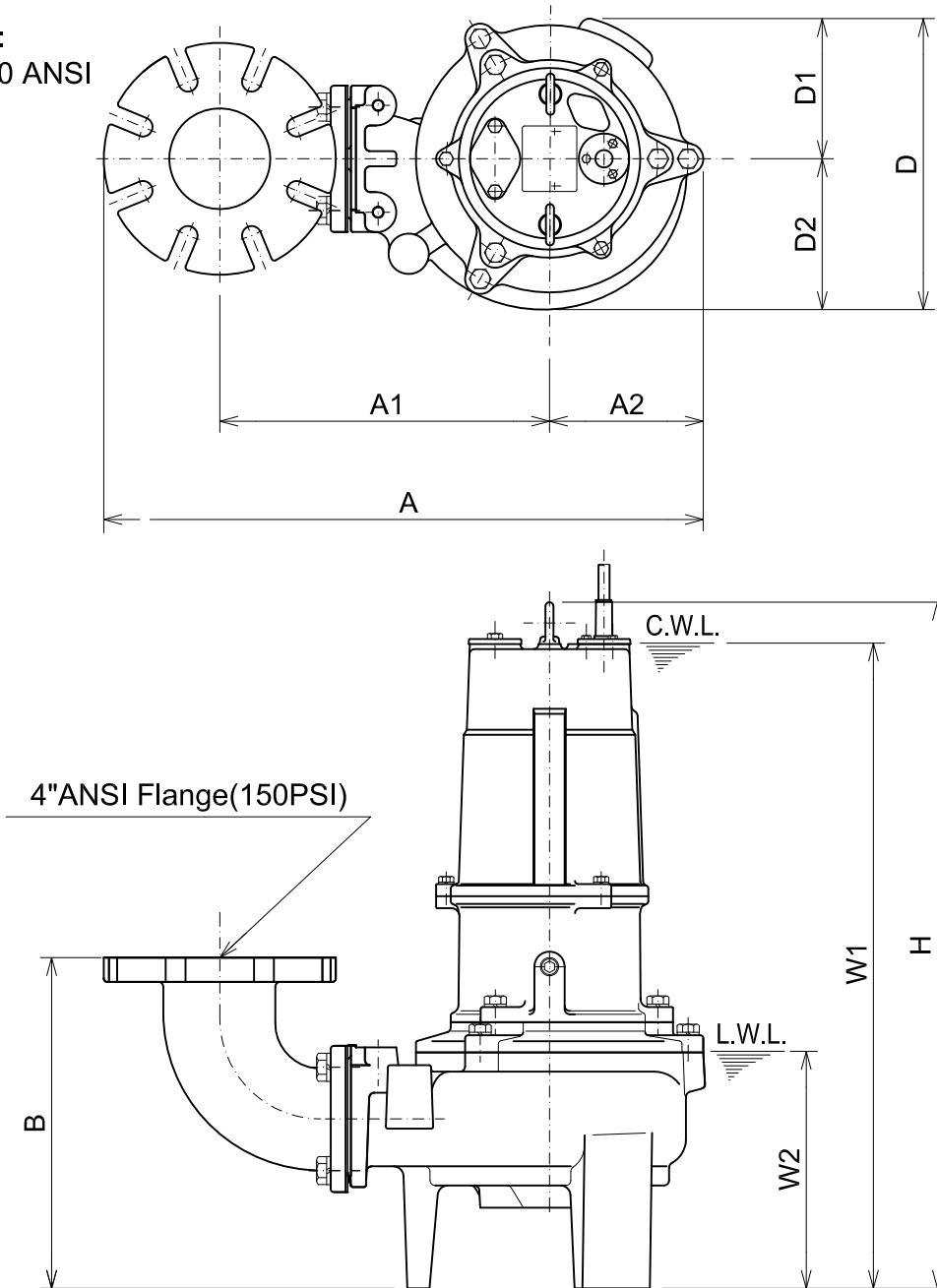


**BZ-SERIES**  
SEWAGE & WASTEWATER PUMPS

**DIMENSIONS**

100BZ43.7 -62

Bend model:  
BEND80-100 ANSI



C.W.L. :Continuous running Water Level  
L.W.L. :Lowest running Water Level

**DIMENSIONS:USCS(Inch)**

Model	HP	NOM. SIZE	Pump & Motor								C.W.L.	L.W.L.	*Wt.
			A	A1	A2	B	D	D1	D2	H	W1	W2	(lbs.)
100BZ43.7 -62	5	4"	23 13/16	13 1/4	6	12 15/16	11 3/8	5 1/2	5 7/8	26 13/16	25 1/4	9 1/4	214

**DIMENSIONS:METRIC(mm)**

\*Excluding Cable.

Model	kW	NOM. SIZE	Pump & Motor								C.W.L.	L.W.L.	*Wt.
			A	A1	A2	B	D	D1	D2	H	W1	W2	(kg)
100BZ43.7 -62	3.7	100	605	337	153	328	289	139	150	681	640	235	97