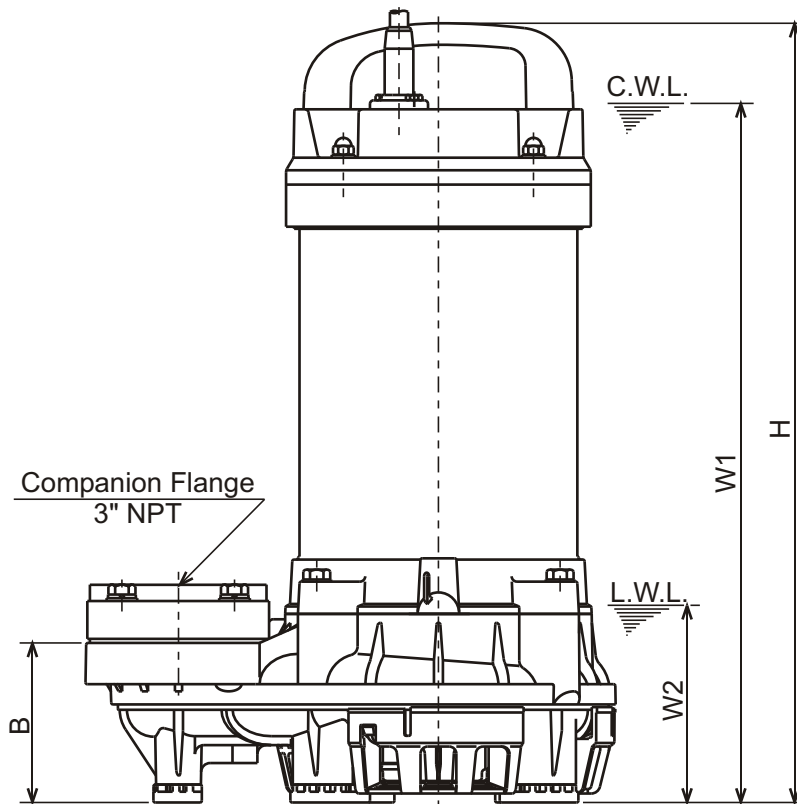
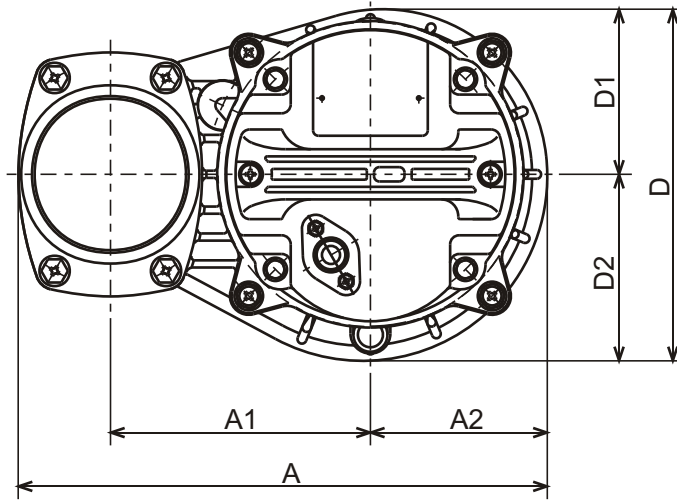




VANCS-SERIES - TM
(FRP) SEMI-VORTEX - SEA WATER PUMPS

DIMENSIONS

80TM21.5-61



C.W.L. :Continuous running Water Level
L.W.L. :Lowest running Water Level

DIMENSIONS:USCS (Inch)

Model	HP	NOM. SIZE	Pump & Motor								C.W.L. W1	L.W.L. W2	Wt. (lbs.)
			A	A1	A2	B	D	D1	D2	H			
80TM21.5-61	2	3"	11 5/8	5 11/16	3 7/8	3 1/2	7 11/16	3 5/8	4 1/8	17 1/8	15 3/8	4 3/8	32.8

DIMENSIONS:METRIC (mm)

Model	kW	NOM. SIZE	Pump & Motor								C.W.L. W1	L.W.L. W2	Wt. (kg)
			A	A1	A2	B	D	D1	D2	H			
80TM21.5-61	1.5	80	295	145	99	89	196	92	104	435	390	110	14.9