

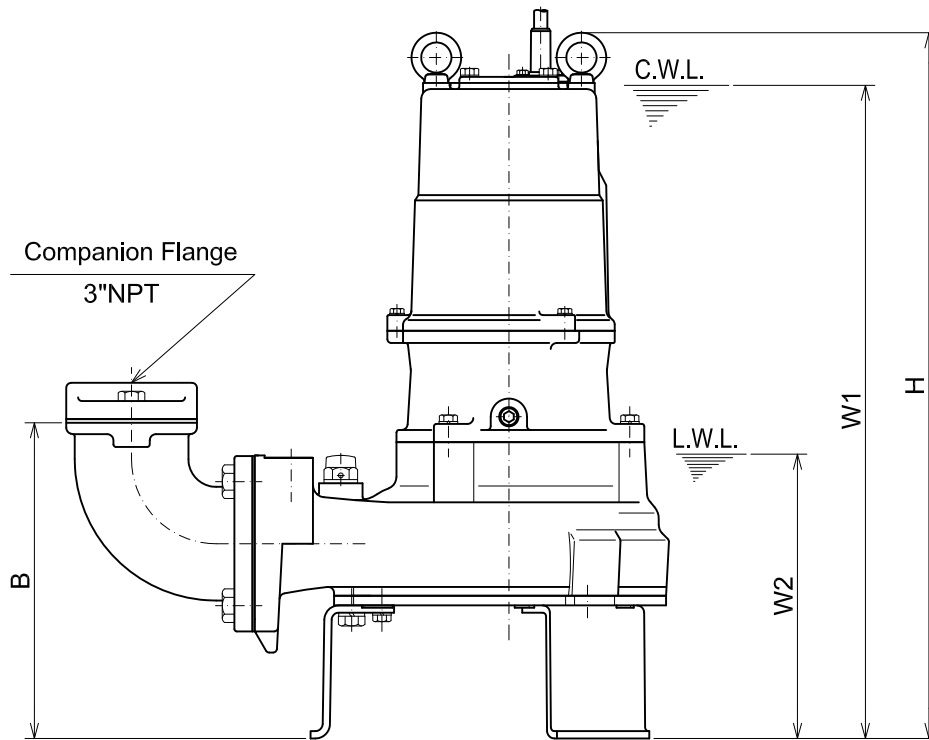
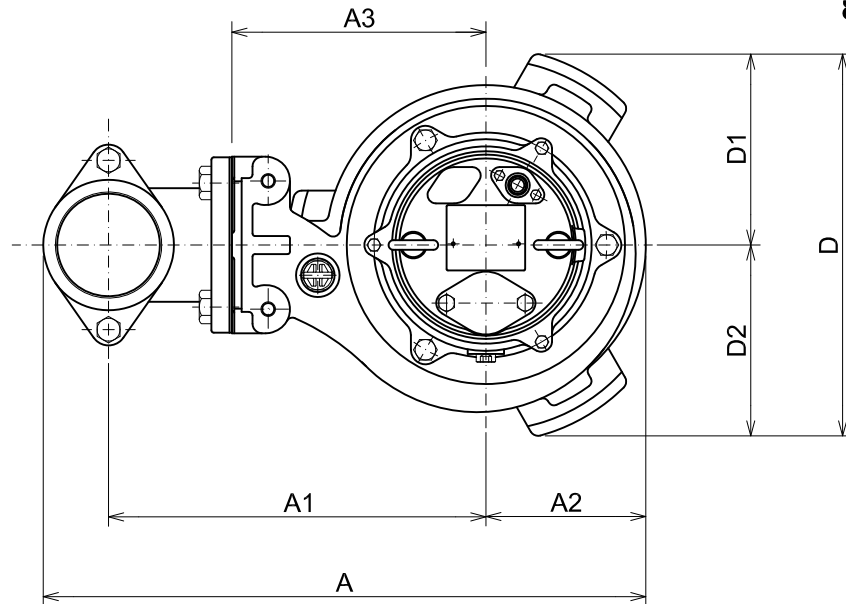


**TSURUMI PUMP**

**C-SERIES  
CUTTER - TYPE - SEWAGE & WASTEWATER PUMPS**

**DIMENSIONS**

**80C41.5-CR -63**



Companion Flange  
3"NPT

C.W.L. :Continuous running Water Level  
L.W.L. :Lowest running Water Level

**DIMENSIONS:USCS(Inch)**

| Model          | HP | NOM. SIZE | Pump & Motor |         |        |       |        |         |       |       |        | C.W.L. | L.W.L. | Wt. (lbs.) |
|----------------|----|-----------|--------------|---------|--------|-------|--------|---------|-------|-------|--------|--------|--------|------------|
|                |    |           | A            | A1      | A2     | A3    | B      | D       | D1    | D2    | H      |        |        |            |
| 80C41.5-CR -63 | 2  | 3"        | 19 5/8       | 12 5/16 | 5 3/16 | 8 1/4 | 10 1/4 | 12 7/16 | 6 1/4 | 6 1/4 | 22 5/8 | 20 7/8 | 8 7/8  | 117        |

**DIMENSIONS:METRIC(mm)**

| Model          | kW  | NOM. SIZE | Pump & Motor |     |     |     |     |     |     |     |     | C.W.L. | L.W.L. | Wt. (kg) |
|----------------|-----|-----------|--------------|-----|-----|-----|-----|-----|-----|-----|-----|--------|--------|----------|
|                |     |           | A            | A1  | A2  | A3  | B   | D   | D1  | D2  | H   |        |        |          |
| 80C41.5-CR -63 | 1.5 | 80        | 498          | 312 | 132 | 210 | 261 | 316 | 158 | 158 | 574 | 530    | 225    | 53       |