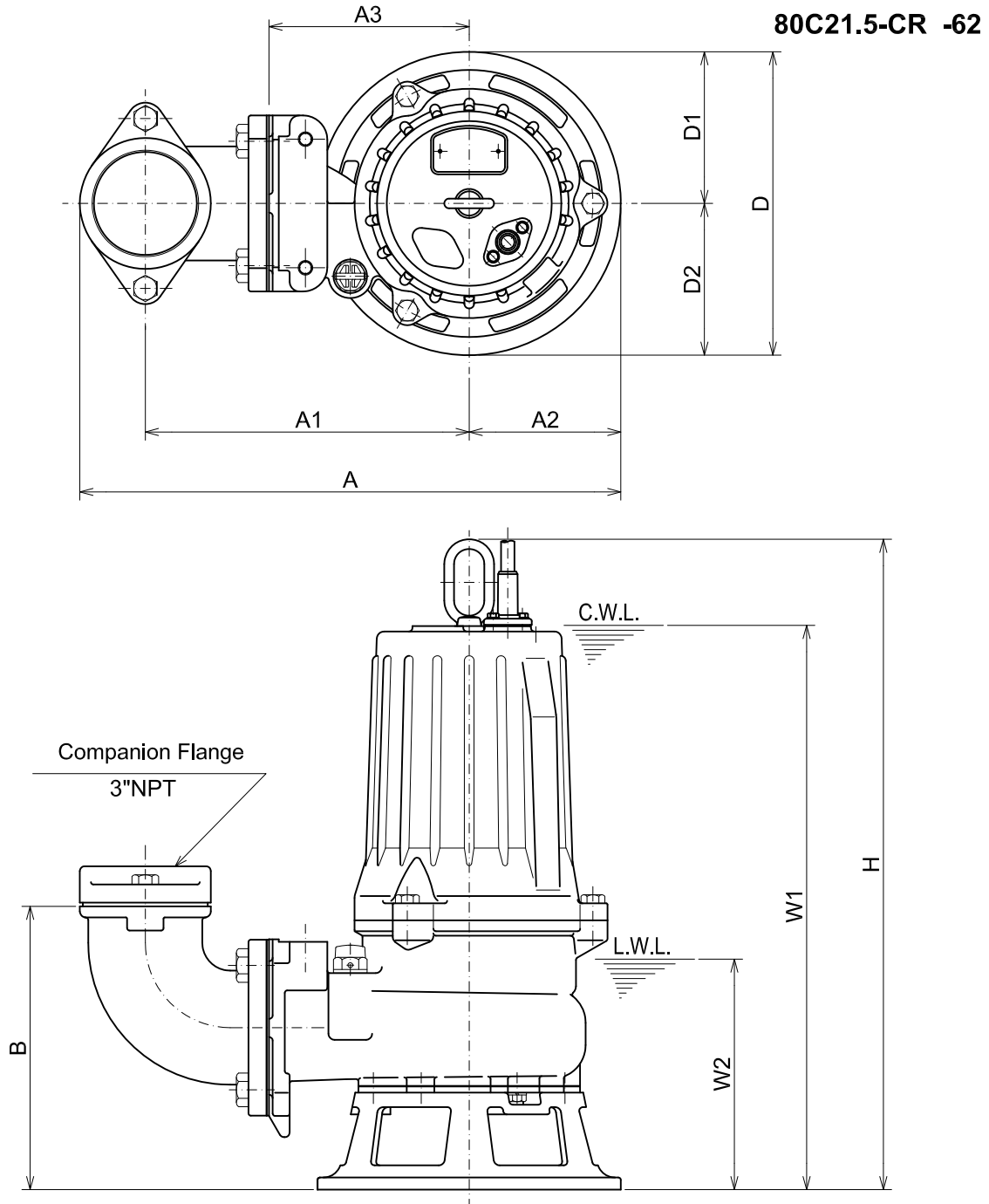




TSURUMI PUMP

**C-SERIES
CUTTER - TYPE - SEWAGE & WASTEWATER PUMPS**

DIMENSIONS



C.W.L. :Continuous running Water Level
L.W.L. :Lowest running Water Level

DIMENSIONS:USCS(Inch)

Model	HP	NOM. SIZE	Pump & Motor									C.W.L. W1	L.W.L. W2	Wt. (lbs.)
			A	A1	A2	A3	B	D	D1	D2	H			
80C21.5-CR -62	2	3"	17 9/16	10 1/2	4 15/16	6 1/2	9 3/16	9 13/16	4 15/16	4 15/16	21 1/8	18 1/4	7 1/2	79

*Excluding Cable.

DIMENSIONS:METRIC(mm)

Model	kW	NOM. SIZE	Pump & Motor									C.W.L. W1	L.W.L. W2	Wt. (kg)
			A	A1	A2	A3	B	D	D1	D2	H			
80C21.5-CR -62	1.5	80	446	267	125	165	234	250	125	125	536	465	190	36