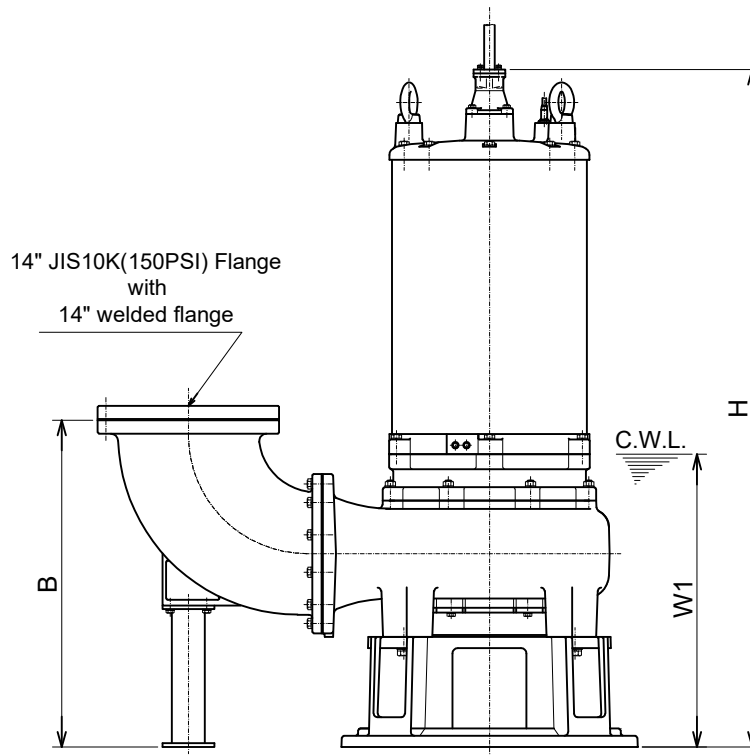
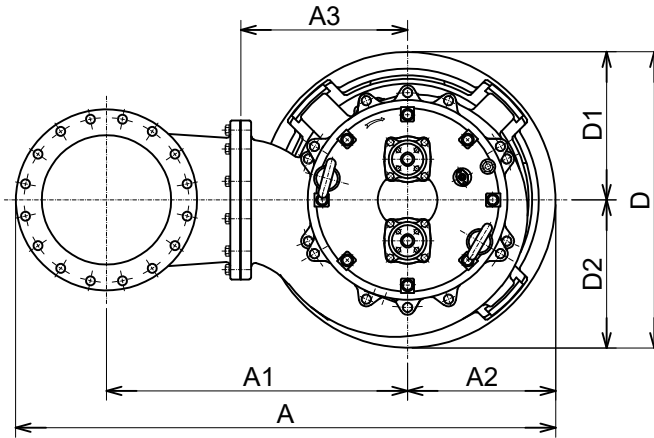


**350BZ645H -61
350BZ655H -61
350BZ475H -61**



C.W.L. :Continuous running Water Level

DIMENSIONS:USCS (Inch)

Model	HP	NOM. SIZE	Pump & Motor									C.W.L. W1	*Wt. (lbs.)
			A	A1	A2	A3	B	D	D1	D2	H		
350BZ645H-61	60	14"	59 3/8	34	15 3/4	17 11/16	34 13/16	31 1/2	15 3/4	15 3/4	72 5/8	31 1/8	2670
350BZ655H-61	75	14"	59 3/8	34	15 3/4	17 11/16	34 13/16	31 1/2	15 3/4	15 3/4	72 5/8	31 1/8	2670
350BZ475H-61	100	14"	59 3/8	34	15 3/4	17 11/16	34 13/16	31 1/2	15 3/4	15 3/4	72	31 1/8	2730

DIMENSIONS:METRIC (mm)

*Excluding Cable

Model	kW	NOM. SIZE	Pump & Motor									C.W.L. W1	*Wt. (kg)
			A	A1	A2	A3	B	D	D1	D2	H		
350BZ645H-61	45	350	1508	863	400	450	885	800	400	400	1845	790	1210
350BZ655H-61	55	350	1508	863	400	450	885	800	400	400	1845	790	1210
350BZ475H-61	75	350	1508	863	400	450	885	800	400	400	1829	790	1240