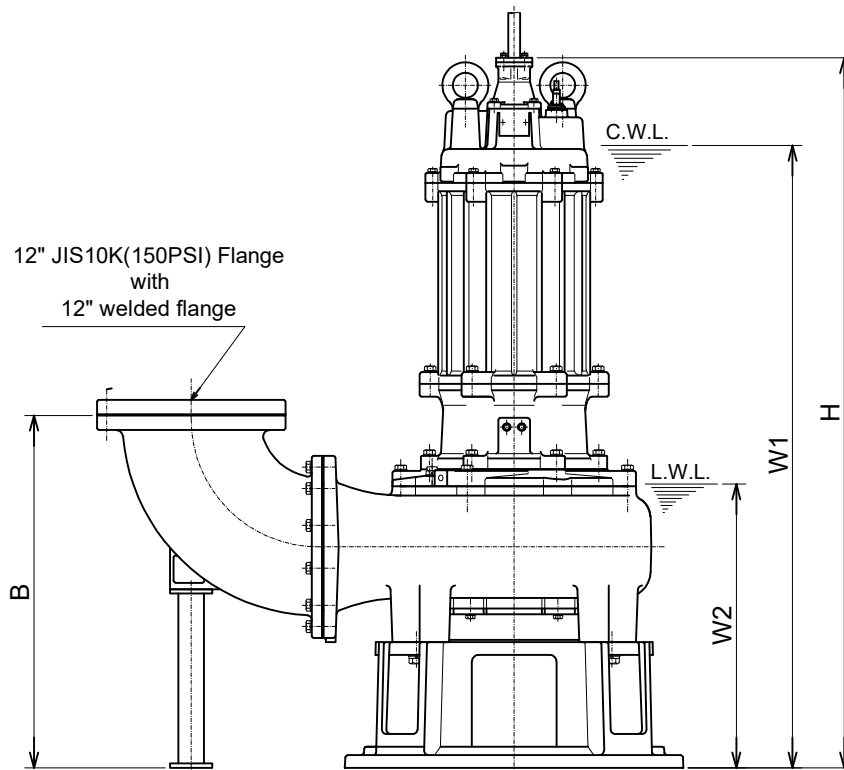


300BZ622 -61
300BZ630 -61
300BZ637 -61



C.W.L. :Continuous running Water Level
 L.W.L. :Lowest running Water Level

DIMENSIONS:USCS (Inch)

Model	HP	NOM. SIZE	Pump & Motor									C.W.L.	L.W.L.	*Wt. (lbs.)
			A	A1	A2	A3	B	D	D1	D2	H			
300BZ622-61	30	12"	54 9/16	30 1/16	15 3/4	17 11/16	32 3/4	31 1/2	15 3/4	15 3/4	66	57 7/8	26 3/8	2010
300BZ630-61	40	12"	54 9/16	30 1/16	15 3/4	17 11/16	32 3/4	31 1/2	15 3/4	15 3/4	66	57 7/8	26 3/8	2090
300BZ637-61	50	12"	54 9/16	30 1/16	15 3/4	17 11/16	32 3/4	31 1/2	15 3/4	15 3/4	66	57 7/8	26 3/8	2070

DIMENSIONS:METRIC (mm)

*Excluding Cable

Model	kW	NOM. SIZE	Pump & Motor									C.W.L.	L.W.L.	*Wt. (kg)
			A	A1	A2	A3	B	D	D1	D2	H			
300BZ622-61	22	300	1386	763	400	450	832	800	400	400	1677	1470	670	910
300BZ630-61	30	300	1386	763	400	450	832	800	400	400	1677	1470	670	950
300BZ637-61	37	300	1386	763	400	450	832	800	400	400	1677	1470	670	940