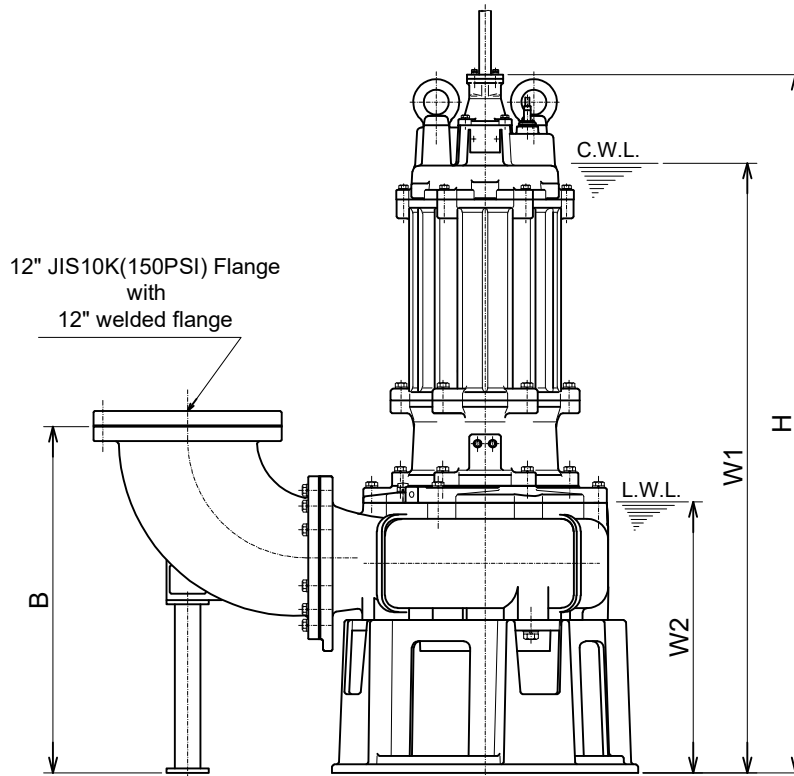
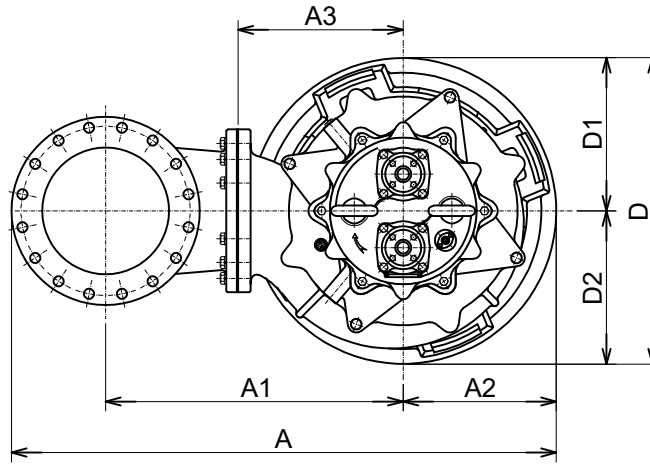


300BZ622H -61
300BZ437H -61
300BZ445H -61



C.W.L. :Continuous running Water Level
L.W.L. :Lowest running Water Level

DIMENSIONS:USCS (Inch)

Model	HP	NOM. SIZE	Pump & Motor									C.W.L.	L.W.L.	*Wt. (lbs.)
			A	A1	A2	A3	B	D	D1	D2	H			
300BZ622H-61	30	12"	50 11/16	27 11/16	14 1/4	15 3/8	32 3/16	28 1/2	14 1/4	14 1/4	64 15/16	56 3/4	25 1/4	1790
300BZ437H-61	50	12"	50 11/16	27 11/16	14 1/4	15 3/8	32 3/16	28 1/2	14 1/4	14 1/4	64 1/2	56 1/4	25 1/4	1940
300BZ445H-61	60	12"	50 11/16	27 11/16	14 1/4	15 3/8	32 3/16	28 1/2	14 1/4	14 1/4	64 15/16	56 3/4	25 1/4	1960

DIMENSIONS:METRIC (mm)

*Excluding Cable

Model	kW	NOM. SIZE	Pump & Motor									C.W.L.	L.W.L.	*Wt. (kg)
			A	A1	A2	A3	B	D	D1	D2	H			
300BZ622H-61	22	300	1288	703	362	390	818	724	362	362	1650	1440	640	810
300BZ437H-61	37	300	1288	703	362	390	818	724	362	362	1638	1430	640	880
300BZ445H-61	45	300	1288	703	362	390	818	724	362	362	1650	1440	640	890