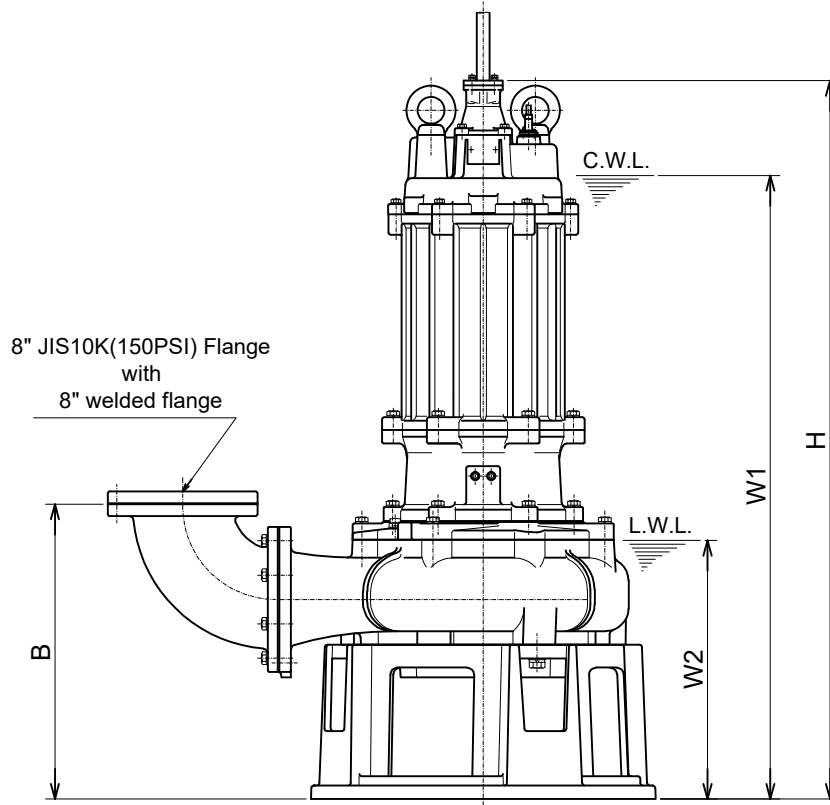


**200BZ622 -61
200BZ437 -61
200BZ445 -61**



C.W.L. :Continuous running Water Level
L.W.L. :Lowest running Water Level

DIMENSIONS:USCS (Inch)

Model	HP	NOM. SIZE	Pump & Motor									C.W.L.	L.W.L.	*Wt. (lbs.)
			A	A1	A2	A3	B	D	D1	D2	H			
200BZ622-61	30	8"	47 9/16	26 1/8	14 15/16	17 11/16	25 9/16	29 15/16	14 15/16	14 15/16	62 3/8	54 1/8	22 1/2	1680
200BZ437-61	50	8"	47 9/16	26 1/8	14 15/16	17 11/16	25 9/16	29 15/16	14 15/16	14 15/16	61 7/8	53 3/4	22 1/2	1830
200BZ445-61	60	8"	47 9/16	26 1/8	14 15/16	17 11/16	25 9/16	29 15/16	14 15/16	14 15/16	62 3/8	54 1/8	22 1/2	1850

DIMENSIONS:METRIC (mm)

*Excluding Cable

Model	kW	NOM. SIZE	Pump & Motor									C.W.L.	L.W.L.	*Wt. (kg)
			A	A1	A2	A3	B	D	D1	D2	H			
200BZ622-61	22	200	1208	663	380	450	650	760	380	380	1584	1375	570	760
200BZ437-61	37	200	1208	663	380	450	650	760	380	380	1572	1365	570	830
200BZ445-61	45	200	1208	663	380	450	650	760	380	380	1584	1375	570	840