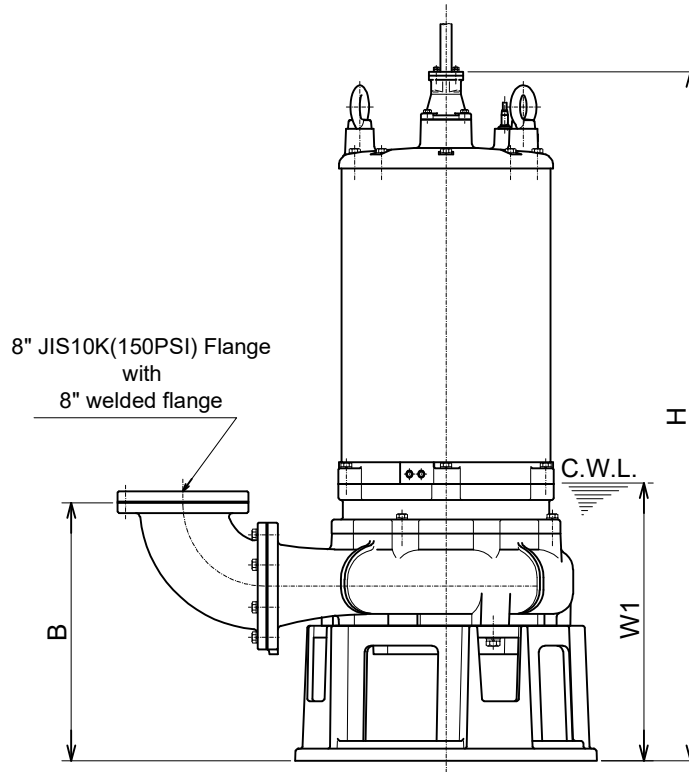
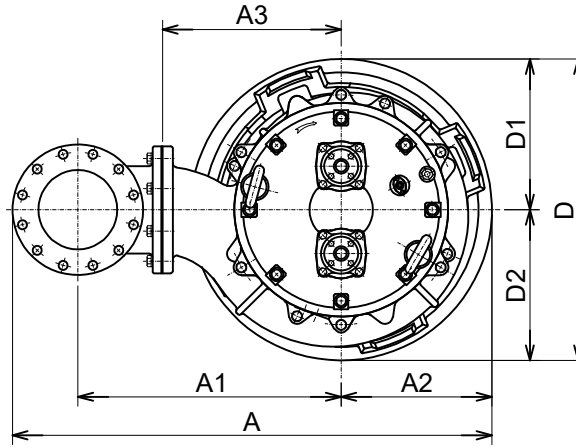


200BZ455 -61  
200BZ475 -61



C.W.L. :Continuous running Water Level

**DIMENSIONS:USCS (Inch)**

Model	HP	NOM. SIZE	Pump & Motor									C.W.L. W1	*Wt. (lbs.)
			A	A1	A2	A3	B	D	D1	D2	H		
200BZ455-61	75	8"	47 9/16	26 1/8	14 15/16	17 11/16	25 9/16	29 15/16	14 15/16	14 15/16	68 3/8	27 1/2	2950
200BZ475-61	100	8"	47 9/16	26 1/8	14 15/16	17 11/16	25 9/16	29 15/16	14 15/16	14 15/16	68 3/8	27 1/2	2950

**DIMENSIONS:METRIC (mm)**

Model	kW	NOM. SIZE	Pump & Motor									C.W.L. W1	*Wt. (kg)
			A	A1	A2	A3	B	D	D1	D2	H		
200BZ455-61	55	200	1208	663	380	450	650	760	380	380	1736	700	1340
200BZ475-61	75	200	1208	663	380	450	650	760	380	380	1736	700	1340

\*Excluding Cable