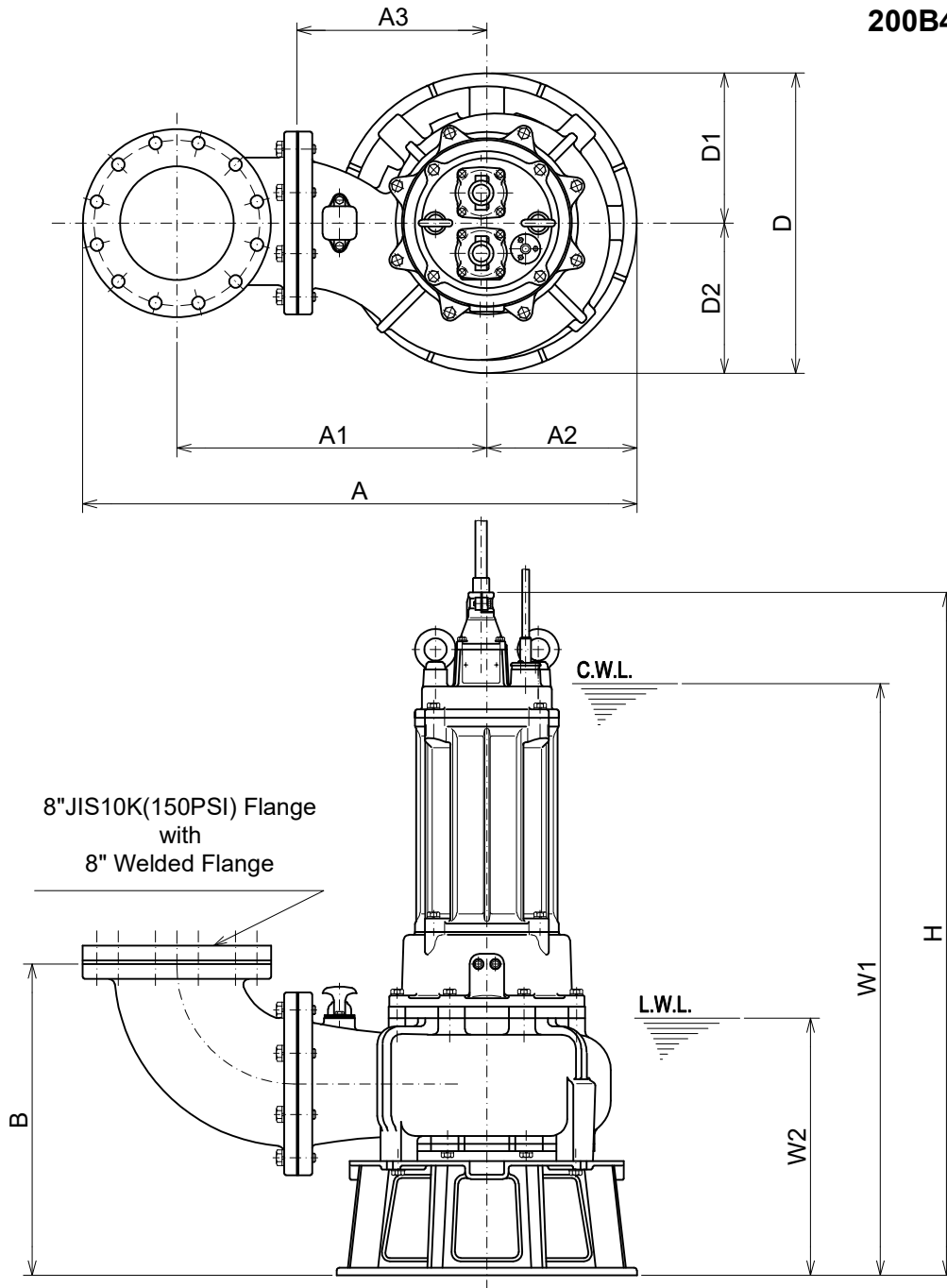


200B415 -63



C.W.L. :Continuous running Water Level  
L.W.L. :Lowest running Water Level

**DIMENSIONS:USCS(Inch)**

Model	HP	NOM. SIZE	Pump & Motor									C.W.L.	L.W.L.	*Wt. (lbs.)
			A	A1	A2	A3	B	D	D1	D2	H			
200B415 -63	20	8"	38 1/4	21 3/8	10 3/8	13	21 7/16	20 11/16	10 3/8	10 3/8	47 1/16	41	17 3/4	660

**DIMENSIONS:METRIC(mm)**

Model	kW	NOM. SIZE	Pump & Motor									C.W.L.	L.W.L.	*Wt. (kg)
			A	A1	A2	A3	B	D	D1	D2	H			
200B415 -63	15	200	971	543	263	330	545	526	263	263	1196	1040	450	300

\*Excluding Cable