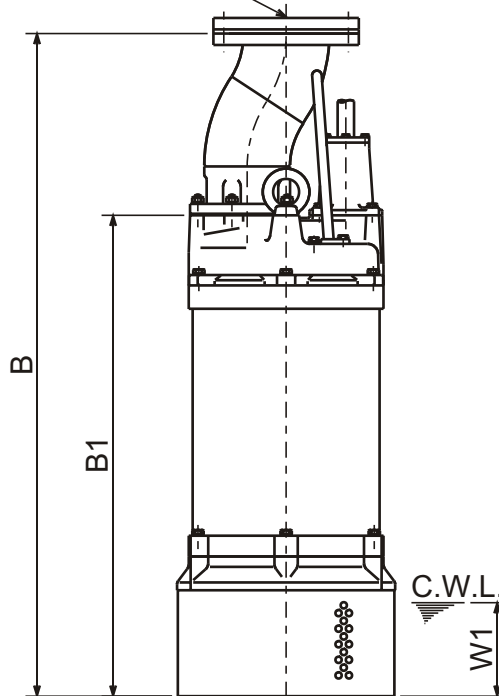
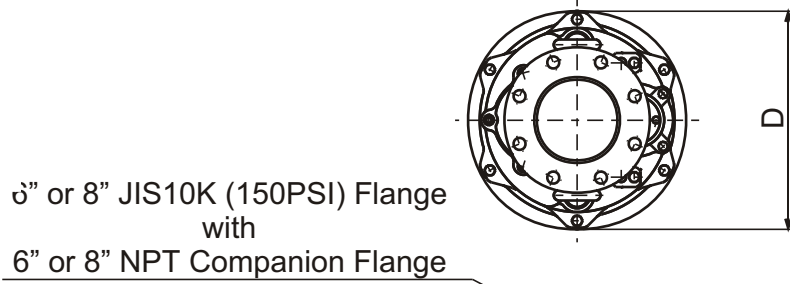




**LH - SERIES  
DEWATERING PUMPS**

**DIMENSIONS**

LH637-60  
LH837-60  
LH645-60  
LH845-60



C.W.L. : Continuous running Water Level

**DIMENSIONS:USCS (Inch)**

Model	HP	NOM. SIZE	Pump & Motor			C.W.L.	Wt. (lbs.)
			B	B1	D	W1	
LH637-60	50	6"	57	40 7/16	20 7/8	7 1/8	1090
LH837-60	50	8"	58 9/16	40 7/16	20 7/8	7 1/8	1090
LH645-60	60	6"	57	40 7/16	20 7/8	7 1/8	1120
LH845-60	60	8"	58 9/16	40 7/16	20 7/8	7 1/8	1120

**DIMENSIONS:METRIC (mm)**

Model	kW	NOM. SIZE	Pump & Motor			C.W.L.	Wt. (kg)
			B	B1	D	W1	
LH637-60	37	150	1448	1027	530	180	495
LH837-60	37	200	1488	1027	530	180	495
LH645-60	45	150	1448	1027	530	180	510
LH845-60	45	200	1488	1027	530	180	510