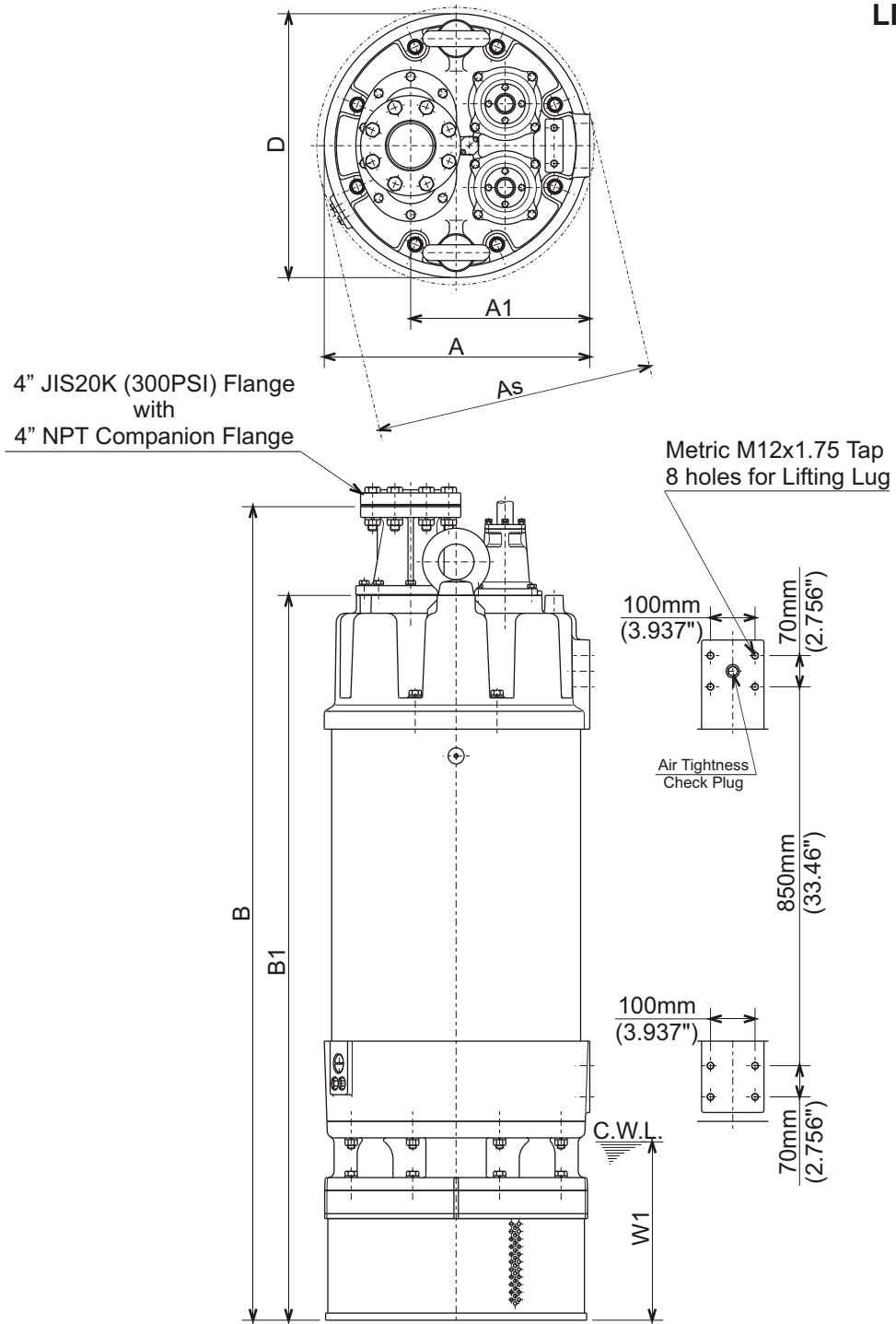




**LH-W SERIES**  
**HIGH HEAD - DEWATERING PUMPS**

**DIMENSIONS**

**LH4110W-61**



C.W.L. : Continuous running Water Level

**DIMENSIONS:USCS (Inch)**

Model	HP	NOM. SIZE	Pump & Motor						C.W.L. W1	Wt. (lbs.)
			A	As	A1	B	B1	D		
LH4110W-61	150	4"	23 7/16	24 1/2	15 13/16	71 7/8	64	23 5/16	15 3/4	2800

**DIMENSIONS:METRIC (mm)**

Model	kW	NOM. SIZE	Pump & Motor						C.W.L. W1	Wt. (kg)
			A	As	A1	B	B1	D		
LH4110W-61	110	100	596	622	402	1825	1626	592	400	1270