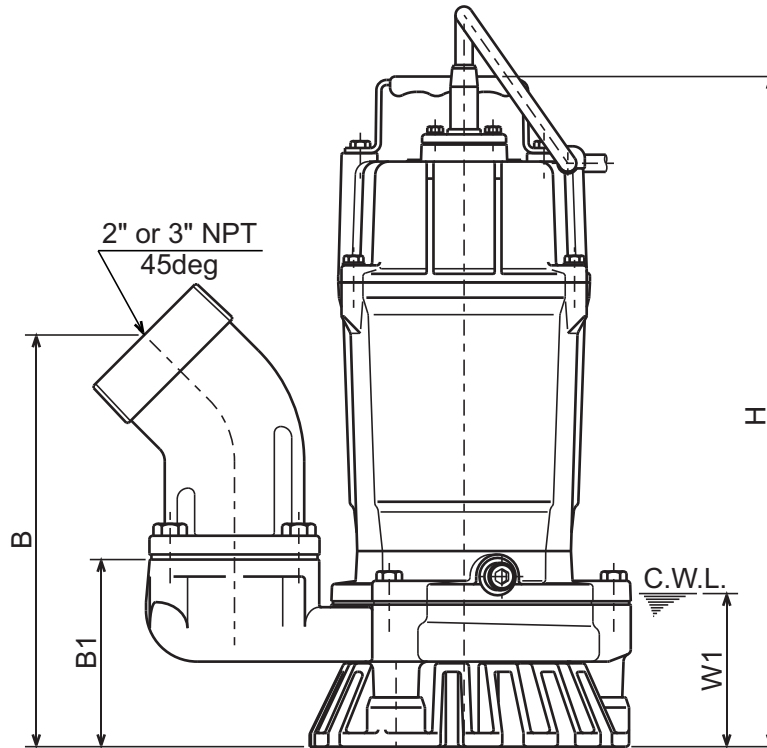
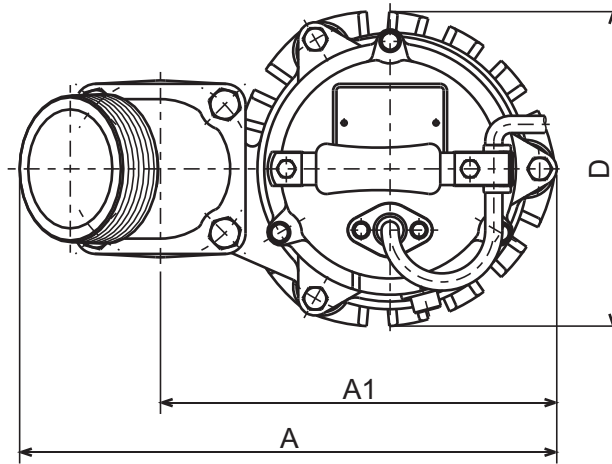




HS - SERIES
SEMI-VORTEX - WASTEWATER PUMP

DIMENSIONS

HS2.75S-62
HS3.75S-62



C.W.L. : Continuous running Water Level

DIMENSIONS:USCS (Inch)

Model	HP	NOM. SIZE	Pump & Motor						C.W.L.	Wt. (lbs.)
			A	A1	B	B1	D	H	W1	
HS2.75S-62	1	2"	11 7/16	9 3/16	8 5/8	4 5/16	7 5/16	15 5/16	3 1/2	42
HS3.75S-62	1	3"	12 7/16	9 3/16	9 1/2	4 5/16	7 5/16	15 5/16	3 1/2	43

DIMENSIONS:METRIC (mm)

Model	kW	NOM. SIZE	Pump & Motor						C.W.L.	Wt. (kg)
			A	A1	B	B1	D	H	W1	
HS2.75S-62	0.75	50	290	233	220	110	185	389	90	19.0
HS3.75S-62	0.75	80	317	233	242	110	185	389	90	19.6