

PARTS LIST		HI-VOLUME DEWATERING PUMP			12/3/2013	
ITEM	PART No.	DESCRIPTION	QTY	SIZE	MATERIAL	NOTES
1	001-314-32	Cable Set (50')		2PNCTF4Cx8mm2	KR-3	comparable to 4cond x 8AWG
2	006-127-15	Stuffing Box	1	No.3	FC	
3	140-055-10	Hex.Bolt	4	M8x25	SUS304	
4	070-107-18	Cable Clamp	1		FC	
5	140-035-14	Hex.Bolt	2	M6x20	SUS304	
6	008-147-17	Mould Cover	1	KR3-9	CR	
7	010-120-18	Cable Clip	1	No.2-1	SPC	
8	010-122-10	Cable Clip Rubber	1	No.2	NBR	
9	141-004-17	Hex.Nut	1	M6	SUS304	
10	140-032-11	Hex.Bolt	1	M6x15	SUS304	
11	095-131-18	Chain	1	4mm(3L)	SS	
12	011-110-11	Shackle	1	6mm(M8,SC)	SS	
13	140-101-12	Hex.Bolt	4	M12x50	SUS304	
14	142-165-10	Spring Washer	4	M12	SUS304	
15	070-103-10	L-Shape Fitting	1	KT-55	SPC	
16	009-129-16	Terminal	6	E (Small)	CU	
17	009-101-12	Terminal(C/W Screw)	3	d12x(d6.6xd6.6)x25l	C3604	
19	002-129-15	Heat Shrink Tube (Sold per meter)	m	EVA(d14x1t)	(V/m)	
20	002-132-11	Heat Shrink Tube (Sold per meter)	m	A4(d17x0.27t)	(V/m)	
21	032-255-14	Hose Coupling	1	NPT-8(KRS)	FC	
22	140-112-16	Hex.Bolt	2	M12x110	SUS304	
23	140-098-15	Hex.Bolt	4	M12x35	SUS304	
24	121-144-18	Packing	1	KRZ8(P.C.236xd190)	NBR	*
25	068-159-18	Handle	1	KRS-C6/A6/8S(T)	SGP+SPC	
26	140-100-11	Hex.Bolt	1	M12x45	SUS304	
27	142-165-10	Spring Washer	1	M12	SUS304	
28	143-041-12	Pan Screw	1	M6x8	SWRM	
29	142-162-33	Spring Washer	1	M6	SWRH	
30	009-106-17	Terminal	1	R-8-6	CU	
31	050-372-14	Motor Bracket	1		FC	
32	122-250-11	O-Ring	1	230xd3.8	NBR	*
33	053-317-10	Motor Protector 220V-60Hz	1	KA315-JTAL00	(B.C)	
33	053-398-15	Motor Protector 400/440V-60Hz	1	KA314-HLYL00	(B.C)	
34	143-125-24	Pan Screw (w/Spring Washer/Plain Washer)	2	M4x14	SWRM	
35	142-199-13	Wave Washer	1	6208/6307	SK5	
36	052-110-18	Bearing	1	6307ZZC3		
37	058-120-19	Lead Wire Protection Plate	1	d94xd220x1.6t	Bakelite	
38	055-564-10	Rotor	1Set			
39	147-021-18	Impeller Key	1	8x8x44l	SUS420	
40	056-492-19	Stator 220V-60Hz	1Set			
40		Stator 440V-60Hz	1Set			
41	121-200-13	Packing (Water Way, Upp.)	1	KRS-8S(T)	NBR	*
42	064-449-16	Motor Frame	1		FC	
43	140-100-11	Hex.Bolt	4	M12x45	SUS304	

* Indicates items included in set

PARTS LIST		HI-VOLUME DEWATERING PUMP			12/3/2013	
ITEM	PART No.	DESCRIPTION	QTY	SIZE	MATERIAL	NOTES
44	121-130-11	Packing (Water Way, Low.)	1	KRS-8S	NBR	*
45	121-247-12	Packing	1	d12.3xd18x2t	PE	*
46	035-113-18	Oil Plug	1	M12x14	SUS304	
47	122-311-11	O-Ring	1	220xd3.5	NBR	*
48	140-029-28	Hex.Bolt	3	M6x10	SWRM	
49	062-158-19	Bearing Fixing Plate	1	d95xd144x4.5t(6Hole)	SPCC	
50	061-142-17	Bearing Collar	1	d50xd70x3t	SPC	
51	052-113-11	Bearing	1	6310ZZC3		
52	146-029-13	Retaining Ring	1	C50	SK5	
53	122-140-17	O-Ring	1	G-145(144.4xd3.1)	NBR	*
54	060-222-19	Bearing Housing	1		FC	
55	140-054-48	Hex.Bolt	4	M8x20	SWRM	
56	025-195-13	Mechanical Seal	1	H-35	SiC	
57	143-070-23	Pan Screw	2	M5x6	SWRM	
58	030-156-18	Oil Lifter	1	H-35(A)(T)	Resin	
59	143-070-10	Pan Screw	3	M5x6	SWRM	
60	030-150-12	Seal Stopper	1	H-35(A)(T)	SPCC	
61	020-478-18	Pump Casing	1	KRS-8S	FC	
62	142-165-10	Spring Washer	2	M12	SUS304	
63	140-113-17	Hex.Bolt	2	M12x120	SUS304	
64	026-123-13	Oil Seal	1	TC-406211	NBR	
65	071-128-47	Shaft Sleeve	1	KRS-7.5/11KW	SUS403	
66	040-110-24	Impeller Shim		d32.5xd58x0.3t	SUS304	
67	021-427-15	Impeller (60Hz)	1	60Hz	FCD	
68	047-107-16	Impeller Thread Protect.Cover	1	No.6(33)	SPC	
69	142-171-35	Spring Washer	1	M30	SWRH	
70	157-010-15	Impeller Nut	1	M30,P3.5(B=41.Hex.Cap Nut)	S35C	
71	120-105-14	Packing		d291xd348x0.5t	PE	
72	022-469-38	Suction Cover	1	KRS-8S	FC	
73	142-129-25	Plain Washer	3	M12	SPC	
74	140-097-14	Hex.Bolt	3	M12x30	SUS304	
75	142-129-25	Plain Washer	3	M12	SPC	
76	144-153-24	Stud Bolt	3	M12x142(15/28.5)	SUS403	
77	023-278-15	Strainer	1	NKZ2-D6/B6	SPC	
78	049-136-10	Bottom Plate	1	KRS-D6	SPC	
79	141-007-10	Hex.Nut	3	M12	SUS304	
		Packing O-Ring Set				
	173-437-12	Packing O-Ring Set	1Set	(Marked by *)		
24	122-250-11	O-Ring (M.Bracket/M.Frame)	1	230xd3.8	NBR	*
32	121-144-18	Packing (Hose Coupling)	1	KRZ8(P.C.236xd190)	NBR	*
41	122-311-11	O-Ring (M.Frame/P.Casing)	1	220xd3.5	NBR	*
44	121-200-13	Packing (Water Way, Upp.)	1	KRS-8S(T)	NBR	*
45	121-130-11	Packing (Water Way, Low.)	1	KRS-8S	NBR	*
47	121-247-12	Packing (Oil Plug)	1	d12.3xd18x2t	PE	*



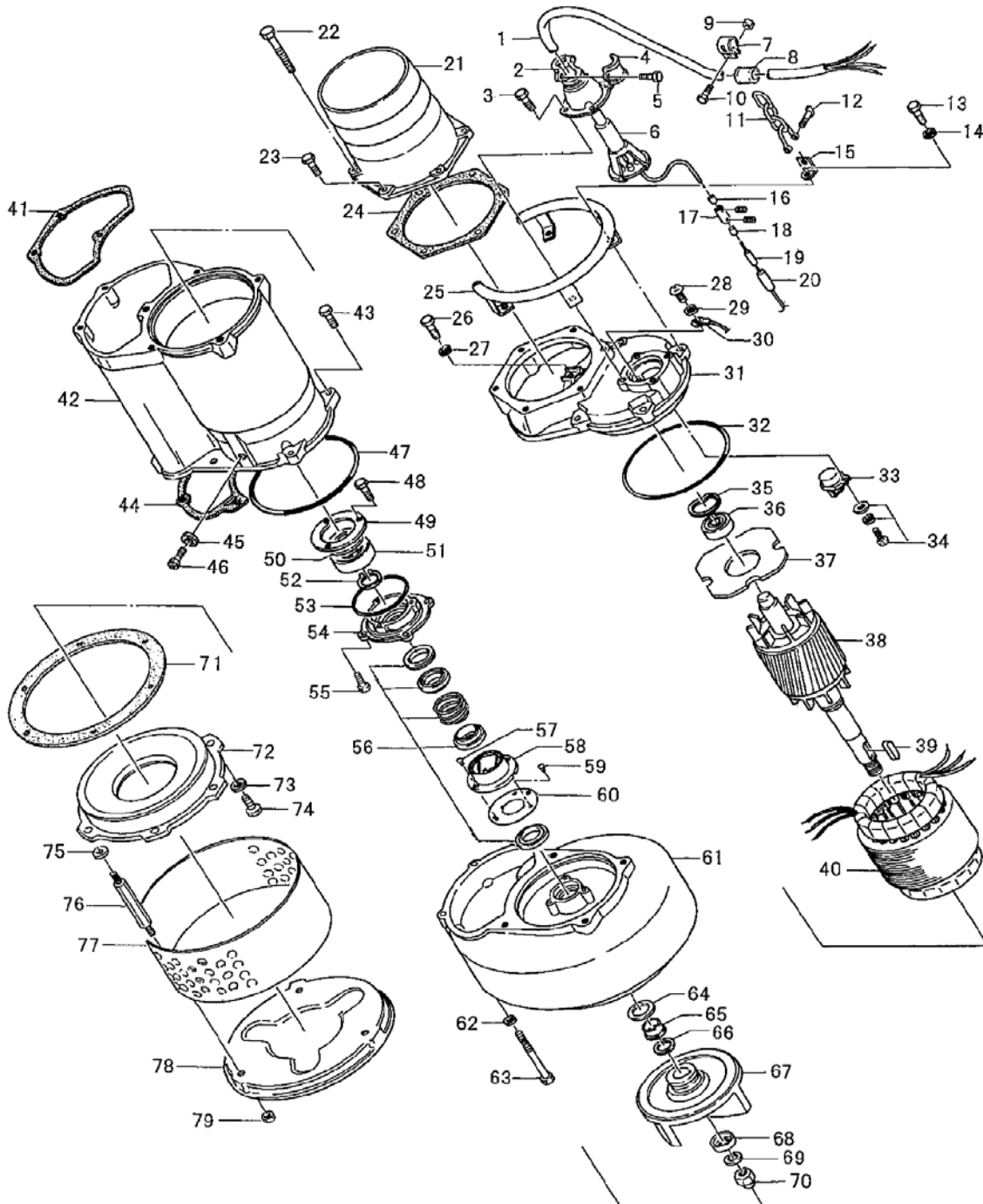
MODEL **KRS2-8S**

PARTS LIST		HI-VOLUME DEWATERING PUMP				12/3/2013
ITEM	PART No.	DESCRIPTION	QTY	SIZE	MATERIAL	NOTES
53	122-140-17	O-Ring (M.Frame/Brg.Housing)	1	G-145(144.4xd3.1)	NBR	*
		Lubricant		Turbine Oil VG32 2,300ml		
		Impeller Puller				
	183-011-17	Impeller Puller		A No.6 2"	FC	

PARTS LIST		HI-VOLUME DEWATERING PUMP			12/3/2013	
ITEM	PART No.	DESCRIPTION	QTY	SIZE	MATERIAL	NOTES

EXPLODED VIEW

KRS2-8S



(C-00011-1)