

PARTS LIST		AGITATOR PUMP			2/28/2014	
ITEM	PART No.	DESCRIPTION	QTY	SIZE	MATERIAL	NOTES
1	141-004-33	Hex.Nut	1	M6	S35C	
2	010-120-18	Cable Clip	1	No.2-1	SPC	
3	010-122-10	Cable Clip Rubber	1	No.2	NBR	
4	140-032-37	Hex.Bolt	1	M6x15	SWRM	
5	095-131-18	Chain	1	4mm(3L)	SS	
6	011-110-11	Shackle	1	6mm(M8,SC)	SS	
7	140-081-15	Hex.Bolt	4	M10x50	SUS304	
8	142-164-19	Spring Washer	4	M10	SUS304	
9	142-128-24	Plain Washer	1	M10	SPC	
10	070-103-10	L-Shape Fitting	1	KT-55	SPC	
11	070-107-18	Cable Clamp	1		FC	
12	001-338-32	Cabtyre Cable Set (50') 60Hz (USA)	1	2PNCTF4Cx5.5mm2	KR-3	
13	140-055-23	Hex.Bolt	4	M8x25	SUS410	
14	006-127-15	Stuffing Box	1	No.3	FC	
15	140-035-14	Hex.Bolt	2	M6x20	SUS304	
16	008-150-13	Mould Cover	1	KR3-12	CR	
17	140-052-17	Hex.Bolt	2	M8x16	SUS304	
18	046-000-05	Air Release Valve	1	GSZ/NKZ/B	SPCC	
19	203-017-18	Ball	1	d28	NBR	
20	121-151-18	Packing	1	P.C.80xd50	CR	*
21	068-172-17	Handle	1	NKZ2-11KW	SGP+SPC	
22	121-343-19	Packing	4	d9.5xd16x5t	NBR	*
23	142-128-11	Plain Washer	4	M10	SUS304	
24	143-041-12	Pan Screw	1	M6x8	SWRM	
25	009-131-11	Terminal	1	R-5.5-6	CU	
26	009-101-12	Terminal(C/W Screw)	3	d12x(d6.6xd6.6)x25l	C3604	
27	009-129-16	Terminal	6	E (Small)	CU	
28	002-129-15	Heat Shrink Tube (Sold per meter)	m	EVA(d14x1t)	(V/m)	
29	002-132-11	Heat Shrink Tube (Sold per meter)	m	A4(d17x0.27t)	(V/m)	
30	050-368-17	Motor Bracket	1		FC	
31	122-250-11	O-Ring	1	230xd3.8	NBR	*
32	142-199-13	Wave Washer	1	6208/6307	SK5	
33	052-110-18	Bearing	1	6307ZZC3		
34	058-125-14	Lead Wire Protection Plate	1	d110xd190x1.2t	SPC+NBR	
35	142-162-33	Spring Washer	2	M6	SWRH	
36	143-042-13	Pan Screw	2	M6x10	SWRM	
37	053-317-10	Motor Protector 208V-60Hz(USA)	1	KA315-JTAL00	(B.C)	
	053-000-16	Motor Protector 460V-60Hz(USA)	1	KA314-HKBL00	(B.C)	
		Motor Protector 575V-60Hz(USA)	1			
38	142-124-20	Plain Washer	2	M4	SPC	
39	142-160-31	Spring Washer	2	M4	SWRH	
40	143-017-19	Pan Screw	2	M4x14	SWRM	
41	055-571-10	Rotor	1Set			
42	147-011-15	Impeller Key	1	12x8x40	SUS420	

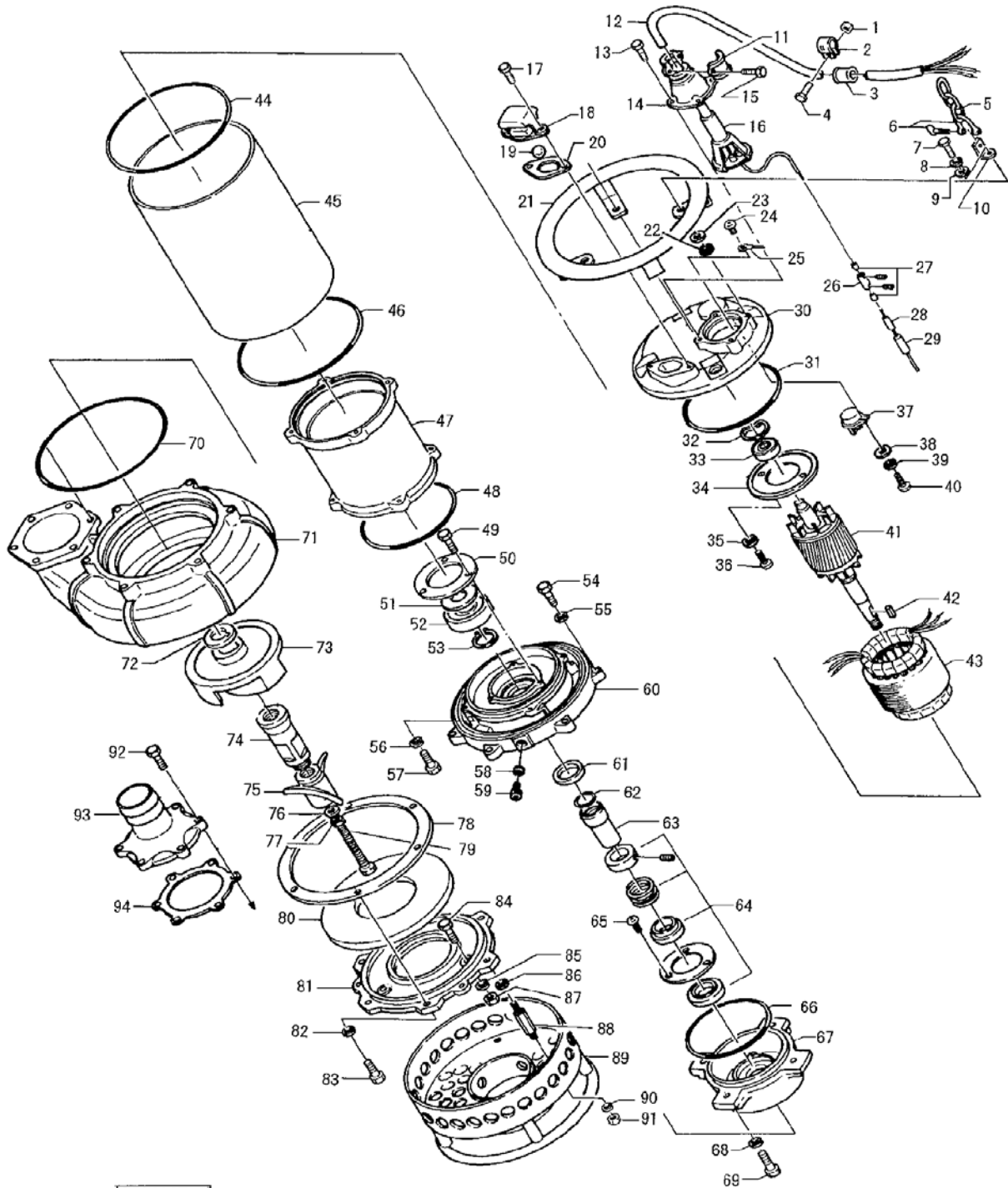
PARTS LIST		AGITATOR PUMP			2/28/2014	
ITEM	PART No.	DESCRIPTION	QTY	SIZE	MATERIAL	NOTES
43	056-496-13	Stator 208V-60Hz(USA)	1Set			
	056-005-08	Stator 460V-60Hz(USA)	1Set			
	056-005-09	Stator 575V-60Hz(USA)	1Set			
44	122-161-14	O-Ring	1	G-300(299.3xd5.7)	NBR	*
45	065-159-19	Outer Cover	1	NKZ2-11KW	SS	
46	122-161-14	O-Ring	1	G-300(299.3xd5.7)	NBR	*
47	064-302-16	Motor Frame	1		FC	
48	122-250-11	O-Ring	1	230xd3.8	NBR	*
49	140-052-33	Hex.Bolt	3	M8x16	SWRM	
50	062-158-19	Bearing Fixing Plate	1	d95xd144x4.5t(6Hole)	SPCC	
51	061-142-17	Bearing Collar	1	d50xd70x3t	SPC	
52	052-113-11	Bearing	1	6310ZZC3		
53	146-029-13	Retaining Ring	1	C50	SK5	
54	140-099-16	Hex.Bolt	6	M12x40	SUS304	
55	142-165-10	Spring Washer	6	M12	SUS304	
56	142-164-19	Spring Washer	4	M10	SUS304	
57	140-079-10	Hex.Bolt	4	M10x40	SUS304	
58	121-247-12	Packing	1	d12.3xd18x2t	PE	*
59	035-113-18	Oil Plug	1	M12x14	SUS304	
60	060-242-15	Bearing Housing	1		FC	
61	026-156-15	Oil Seal	1	TC-55729	NBR	
62	122-120-11	O-Ring	1	G-45(44.4xd3.1)	NBR	*
63	071-134-20	Shaft Sleeve	1	GPN2-100	SUS304	
64	025-210-15	Mechanical Seal	1	NH-50	SiC	
65	143-070-10	Pan Screw	3	M5x6	SWRM	
66	122-251-12	O-Ring	1	205xd3.8	NBR	*
67	029-195-28	Oil Casing	1	GPN2-100	FC	
68	142-164-19	Spring Washer	4	M10	SUS304	
69	140-000-01	Hex.Bolt	4	M10x30(B=14)	SUS304	
70	122-295-18	O-Ring	1	310xd3.8	NBR	*
71	020-543-15	Pump Casing	1	GPN2-100	FC	
72	040-123-17	Impeller Shim		d45.2xd59x0.3t	SUS304	
73	021-577-11	Impeller (60Hz)	1	DL-15	HiCrFC	
74	024-131-18	Connection Rod	1	GPN2-80	FCMB	
75	024-120-14	Agitator	1	GPN-80	HiCrFC	
76	142-130-16	Plain Washer	1	M16	SUS304	
77	141-008-40	Hex.Nut	1	M16(H=10)	SUS304	
78	120-105-14	Packing (S.Cover)		d291xd348x0.5t	PE	
79	140-139-19	Hex.Bolt	1	M16x143(B=19)	SUS304	
80	033-114-13	Suction Plate	1	GPN-80/100	HiCrFC	
81	022-467-23	Suction Cover	1	GPN2-100	FC	
82	142-129-25	Plain Washer	3	M12	SPC	
83	140-097-14	Hex.Bolt	3	M12x30	SUS304	
84	140-057-41	Hex.Bolt	3	M8x35(B=14)	SWRM	

PARTS LIST		AGITATOR PUMP				2/28/2014
ITEM	PART No.	DESCRIPTION	QTY	SIZE	MATERIAL	NOTES
85	142-163-18	Spring Washer	3	M8	SUS304	
86	142-129-25	Plain Washer	3	M12	SPC	
87	141-005-18	Hex.Nut	3	M8	SUS304	
88	144-478-15	Stud Bolt	3	M12x111(25/21)	SUS403	
89	023-253-14	Strainer Stand	1Set	KRS-150	SPC+SGP	
90	142-165-10	Spring Washer	3	M12	SUS304	
91	141-007-10	Hex.Nut	3	M12	SUS304	
92	140-099-16	Hex.Bolt	6	M12x40	SUS304	
93	032-204-18	Hose Coupling	1	100mm(NKZ2)	FC	
94	121-184-10	Packing	1	NKZ-6	NBR	*
		<b>Packing O-Ring Set</b>				
	173-098-17	Packing O-Ring Set	1Set	(Marked by *)		
20	121-151-18	Packing (Air Release Valve)	1	P.C.80xd50	CR	*
22	121-343-19	Packing (Handle Bolt)	4	d9.5xd16x5t	NBR	*
31	122-250-11	O-Ring (M.Bracket/M.Frame)	1	230xd3.8	NBR	*
44	122-161-14	O-Ring (M.Bracket/Out.Cover)	1	G-300(299.3xd5.7)	NBR	*
46	122-161-14	O-Ring (Brq.Housing/Out.Cover)	1	G-300(299.3xd5.7)	NBR	*
48	122-250-11	O-Ring (Brq.Housing/M.Frame)	1	230xd3.8	NBR	*
58	121-247-12	Packing (Oil Plug)	1	d12.3xd18x2t	PE	*
62	122-120-11	O-Ring (Shaft Sleeve)	1	G-45(44.4xd3.1)	NBR	*
66	122-251-12	O-Ring (O.Casing/Brq.Housing)	1	205xd3.8	NBR	*
70	122-295-18	O-Ring (P.Casing/Brq.Housing)	1	310xd3.8	NBR	*
94	121-184-10	Packing (Hose Coupling)	1	NKZ-6	NBR	*
		Lubricant		Turbine Oil VG32 2,500ml		

PARTS LIST		AGITATOR PUMP			2/28/2014	
ITEM	PART No.	DESCRIPTION	QTY	SIZE	MATERIAL	NOTES

## EXPLODED VIEW

DL-15/20



C-01137-1