

PARTS LIST		AGITATOR PUMP			2/28/2014	
ITEM	PART No.	DESCRIPTION	QTY	SIZE	MATERIAL	NOTES
1	141-004-33	Hex.Nut	1	M6	S35C	
2	010-120-18	Cable Clip	1	No.2-1	SPC	
3	010-121-19	Cable Clip Rubber	1	No.1	NBR	
4	140-032-37	Hex.Bolt	1	M6x15	SWRM	
5	095-131-18	Chain	1	4mm(3L)	SS	
6	011-110-11	Shackle	1	6mm(M8,SC)	SS	
7	140-081-15	Hex.Bolt	4	M10x50	SUS304	
8	142-164-19	Spring Washer	4	M10	SUS304	
9	142-128-24	Plain Washer	1	M10	SPC	
10	070-103-10	L-Shape Fitting	1	KT-55	SPC	
11	070-107-18	Cable Clamp	1		FC	
12	001-312-30	Cabtyre Cable Set ( 50') 60Hz(USA)	1	2PNCTF4Cx3.5mm2	KR-2	
13	140-055-23	Hex.Bolt	4	M8x25	SUS410	
14	006-126-14	Stuffing Box	1	No.2	FC	
15	140-035-14	Hex.Bolt	2	M6x20	SUS304	
16	008-143-13	Mould Cover	1	KR2-8	CR	
17	140-052-17	Hex.Bolt	2	M8x16	SUS304	
18	046-000-05	Air Release Valve	1	GSZ/NKZ/B	SPCC	
19	203-017-18	Ball	1	d28	NBR	
20	121-151-18	Packing	1	P.C.80xd50	CR	*
21	068-236-10	Handle	1	NKZ3-5.5KW	SGP+SPC	
22	142-128-11	Plain Washer	4	M10	SUS304	
23	143-085-34	Pan Screw (w/Spring Washer)	1	M4x6	C3604	
24	121-343-19	Packing	4	d9.5xd16x5t	NBR	*
25	009-143-16	Terminal	1	R-3.5-5S	CU	
26	009-101-12	Terminal(C/W Screw)	3	d12x(d6.6xd6.6)x25l	C3604	
27	009-123-10	Terminal	6	P-5.5	CU	
28	002-129-15	Heat Shrink Tube (Sold per meter)	m	EVA(d14x1t)	(V/m)	
29	002-132-11	Heat Shrink Tube (Sold per meter)	m	A4(d17x0.27t)	(V/m)	
30	050-367-16	Motor Bracket	1		FC	
31	122-410-11	O-Ring	1	190xd3.8	NBR	*
32	053-196-11	Motor Protector 208V-60Hz(USA)	1	KA314-HLXL00	(B.C)	
	053-358-13	Motor Protector 460V-60Hz(USA)	1	KA313-GCZL103	(H.C)	
		Motor Protector 575V-60Hz(USA)	1			
33	143-126-12	Pan Screw (w/Spring Washer/Plain Washer)	2	M4x12	SWRM	
34	142-197-11	Wave Washer	1	6305	SK5	
35	052-108-13	Bearing	1	6305ZZC3		
36	058-155-13	Lead Wire Protection Plate	1	d78xd180x1.6t	Bakelite	
37	055-568-14	Rotor	1Set			
38	147-024-11	Impeller Key	1	8x8x38l	SUS420	
39	056-495-12	Stator 208V-60Hz(USA)	1Set			
	056-005-06	Stator 460V-60Hz(USA)	1Set			
	056-005-07	Stator 575V-60Hz(USA)	1Set			
40	122-156-16	O-Ring	1	G-250(249.3xd5.7)	NBR	*

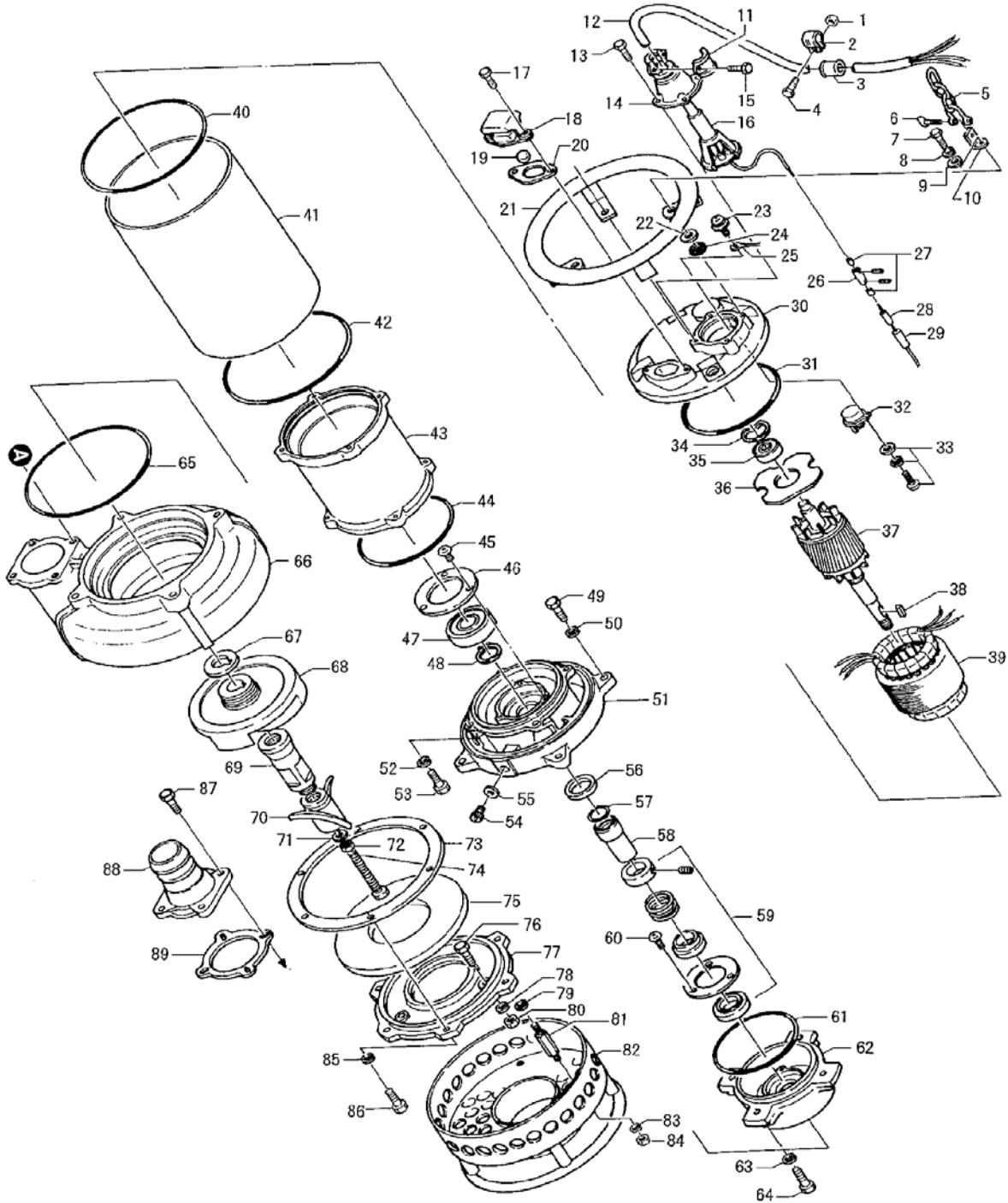
PARTS LIST		AGITATOR PUMP			2/28/2014	
ITEM	PART No.	DESCRIPTION	QTY	SIZE	MATERIAL	NOTES
41	065-158-18	Outer Cover	1	NKZ2-5.5KW	SS	
42	122-156-16	O-Ring	1	G-250(249.3xd5.7)	NBR	*
43	064-441-18	Motor Frame	1		FC	
44	122-410-11	O-Ring	1	190xd3.8	NBR	*
45	143-043-14	Pan Screw	3	M6x12	SWRM	
46	062-116-15	Bearing Fixing Plate	1	d80xd115x3.2t	SS	
47	052-111-19	Bearing	1	6308ZZC3		
48	146-025-19	Retaining Ring	1	C40	SK5	
49	140-099-16	Hex.Bolt	4	M12x40	SUS304	
50	142-165-10	Spring Washer	4	M12	SUS304	
51	060-356-13	Bearing Housing	1		FC	
52	142-164-19	Spring Washer	4	M10	SUS304	
53	140-079-10	Hex.Bolt	4	M10x40	SUS304	
54	035-113-18	Oil Plug	1	M12x14	SUS304	
55	121-247-12	Packing	1	d12.3xd18x2t	PE	*
56	026-155-14	Oil Seal	1	TC-45629	NBR	
57	122-118-16	O-Ring	1	G-35(34.4xd3.1)	NBR	*
58	071-133-29	Shaft Sleeve	1	GPN2-80	SUS304	
59	025-209-11	Mechanical Seal	1	NH-40	SiC	
60	143-070-10	Pan Screw	3	M5x6	SWRM	
61	122-330-16	O-Ring	1	155xd3.8	NBR	*
62	029-194-27	Oil Casing	1	GPN2-80	FC	
63	142-164-19	Spring Washer	4	M10	SUS304	
64	140-000-01	Hex.Bolt	4	M10x30(B=14)	SUS304	
65	122-299-12	O-Ring	1	260xd3.8	NBR	*
66	020-542-14	Pump Casing	1	GPN2-80	FC	
67	040-122-16	Impeller Shim		d35.2xd45.2x0.3t	SUS304	
68	021-575-19	Impeller (60Hz)	1	DL-7.5	HiCrFC	
69	024-131-18	Connection Rod	1	GPN2-80	FCMB	
70	024-120-14	Agitator	1	GPN-80	HiCrFC	
71	142-130-16	Plain Washer	1	M16	SUS304	
72	141-008-40	Hex.Nut	1	M16(H=10)	SUS304	
73	120-112-14	Packing (S.Cover)		d260xd314x0.5t	PE	
74	140-139-19	Hex.Bolt	1	M16x143(B=19)	SUS304	
75	033-110-19	Suction Plate	1	KRS-100	HiCrFC	
76	140-057-41	Hex.Bolt	3	M8x35(B=14)	SWRM	
77	022-420-24	Suction Cover	1	KRS-100	FC	
78	142-163-18	Spring Washer	3	M8	SUS304	
79	142-129-25	Plain Washer	3	M12	SPC	
80	141-005-18	Hex.Nut	3	M8	SUS304	
81	144-478-15	Stud Bolt	3	M12x111(25/21)	SUS403	
82	023-241-19	Strainer Stand	1Set	KRS-100	SPC+SGP	
83	142-165-10	Spring Washer	3	M12	SUS304	
84	141-007-10	Hex.Nut	3	M12	SUS304	

PARTS LIST		AGITATOR PUMP				2/28/2014
ITEM	PART No.	DESCRIPTION	QTY	SIZE	MATERIAL	NOTES
85	142-129-25	Plain Washer	3	M12	SPC	
86	140-097-14	Hex.Bolt	3	M12x30	SUS304	
87	140-000-01	Hex.Bolt	4	M10x30(B=14)	SUS304	
88	032-119-28	Hose Coupling	1	80mm(KRS)	FC	
89	121-141-15	Packing	1	KRB-3/4	NBR	*
		<b>Packing O-Ring Set</b>				
	173-443-11	Packing O-Ring Set	1Set	(Marked by *)		
20	121-151-18	Packing (Air Release Valve)	1	P.C.80xd50	CR	*
24	121-343-19	Packing (Handle Bolt)	4	d9.5xd16x5t	NBR	*
31	122-410-11	O-Ring (M.Bracket/M.Frame)	1	190xd3.8	NBR	*
40	122-156-16	O-Ring (M.Bracket/Out.Cover)	1	G-250(249.3xd5.7)	NBR	*
42	122-156-16	O-Ring (Out.Cover/Brq.Housing)	1	G-250(249.3xd5.7)	NBR	*
44	122-410-11	O-Ring (M.Frame/Brq.Housing)	1	190xd3.8	NBR	*
55	121-247-12	Packing (Oil Plug)	1	d12.3xd18x2t	PE	*
57	122-118-16	O-Ring (Shaft Sleeve)	1	G-35(34.4xd3.1)	NBR	*
61	122-330-16	O-Ring (Brq.Housing/O.Casing)	1	155xd3.8	NBR	*
65	122-299-12	O-Ring (Brq.Housing/P.Casing)	1	260xd3.8	NBR	*
89	121-141-15	Packing (Hose Coupling)	1	KRB-3/4	NBR	*
		Lubricant		Turbine Oil VG32 1,100ml		

PARTS LIST		AGITATOR PUMP			2/28/2014	
ITEM	PART No.	DESCRIPTION	QTY	SIZE	MATERIAL	NOTES

## EXPLODED VIEW

DL-7.5



C-01138-1