



EXPLODED VIEW

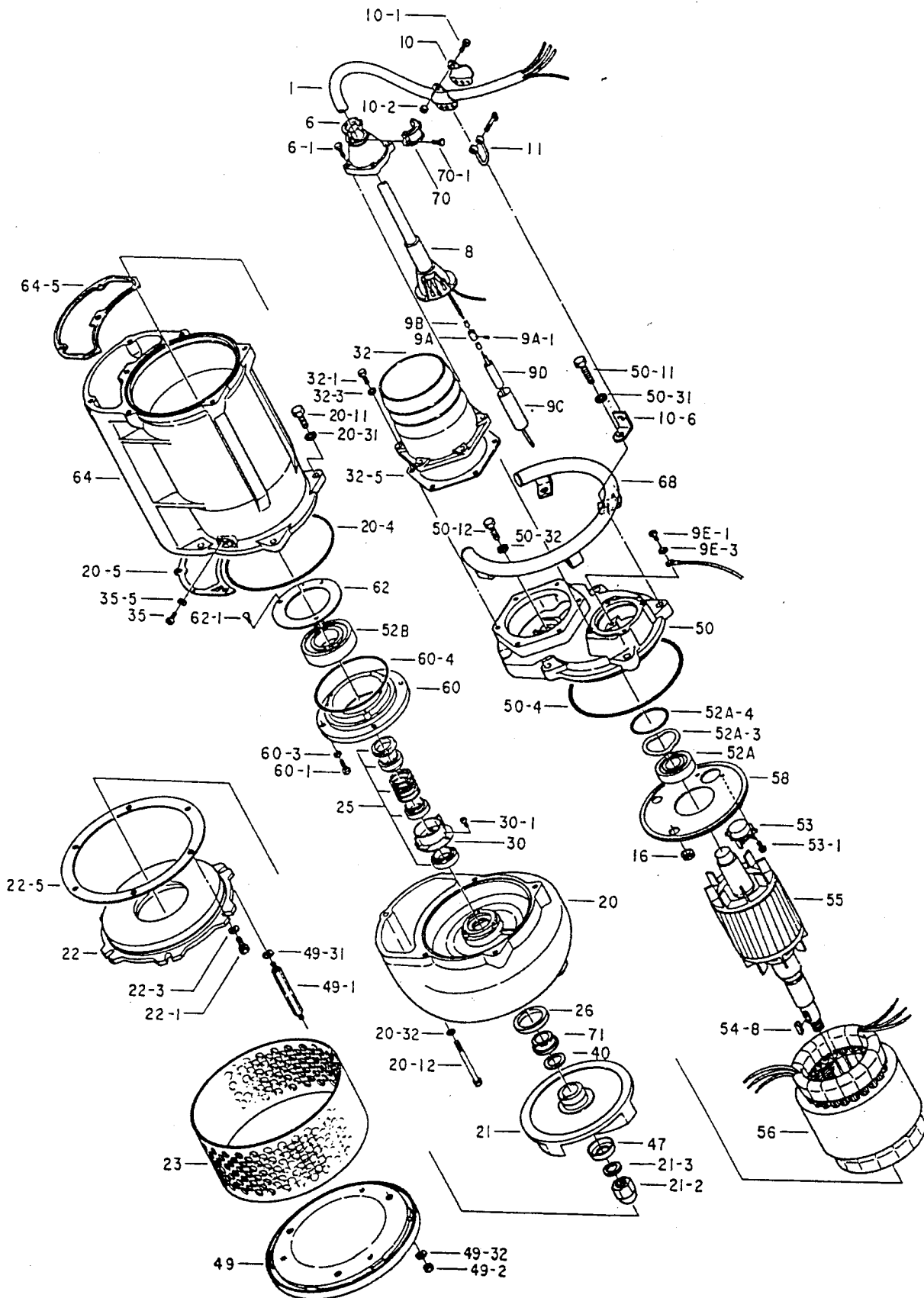
Control Number :
DREV-IKR815A-01

Model : KRS-815

Supersedes :

Submersible Dewatering Pump (Heavy Duty)

04-01-96



TSURUMI (AMERICA), INC.

PARTS PRICE LIST

KRS-815

IKR815A

Control Number :		PLPA-IKR815A-02	Supercedes:		PLPA-IKR815A-01	(10/15/99)	
ITEM	PARTS NO.	DESCRIPTION	Q'TY	SIZE	MATERIAL	PRICE (\$)	NOTE
1	001-329-27	Cab-tyre Cable	1	AWG6 x 49'	2PNCT.F	1,644.70	
6	006-127-15	Stuffing Box	1	No.3	FC	42.90	
6-1	140-055-23	Hex. Bolt	4	M8x25L	SUS410	0.80	
8	008-145-15	Rubber Boot	1	No.3-7	CR	11.80	
9A	009-118-12	Terminal	3	8x12x25L	BSEM	7.20	
9A-1		Socket Set Screw	6	M6x6L	comes in 9A		
9B	009-128-15	Terminal Sleeve	6		CU	0.60	
9C	002-116-19	Heat Shrink Tube	1	NST-120	\$/3.2ft	14.80	
9D	002-115-18	Heat Shrink Tube	1	NST-150	\$/3.2ft	13.30	
9E-1	143-042-13	Cross Pan SCrew	1	M6x10L	SWRM	0.10	
9E-3	142-162-33	Spring Washer	1	M6	SPC	0.20	
10	010-101-16	Cable Clip	1	No.3	SPC	5.00	
10-1	140-035-14	Hex. Bolt	2	M6x20L	SUS304	0.40	
10-2	141-004-33	Hex. Nut	2	M6	SUS304	0.20	
10-6	070-103-10	Cable Clamp	1		SS	4.90	
11	011-102-10	Shackle	1	9mm	SS	2.70	
16	016-109-12	L.Wire Prot. Bush	2		NBR	11.80	
20	020-414-16	Pump Casing	1		FC	737.00	
20-4	122-156-16	O-Ring	1	G-250 (5.7)	NBR	6.80	*
20-5	121-131-12	Packing	1		NBR		*
20-11	140-099-16	Hex. Bolt	4	M12 x 40L	SUS304	2.50	
20-12	140-116-10	Hex. Bolt	1	M12x140L	SUS304	10.10	
20-31	142-165-10	Spring Washer	4	M12	SUS304	0.50	
20-32	142-165-10	Spring Washer	1	M12	SUS304	0.50	
21	021-569-23	Impeller	1	60Hz	FCD	517.40	
21-2	157-010-15	Hex. Cap Nut	1	M30 (P3.5)	S35C	13.00	
21-3	142-171-19	Spring Washer	1	M30	SUS304	8.90	
22	022-380-21	Suction Cover	1		FC	112.30	
22-1	140-097-14	Hex. Bolt	3	M12x30L	SUS304	2.40	
22-3	142-129-25	Plain Washer	3	M12	SPC	0.20	
22-5	120-105-14	Packing	1	291x348	Poly.Sheet	3.80	
23	023-244-12	Strainer	1		SPC	78.90	
25	025-196-14	Mechanical Seal	1	H-40	SIC	518.00	
26	026-111-18	Oil Seal	1	TC-456812	NBR	6.80	
30	030-121-14	Oil Ring	1		SPC	5.90	
30-1	143-070-10	Cross Pan Screw	3	M5x6L	SWRM	0.10	
32	032-255-14	Hose Coupling	1	NPT-8"	FC	429.80	
32-1	140-099-16	Hex. Bolt	6	M12 x 40L	SUS304	2.50	
32-3	142-165-10	Spring Washer	6	M12	SUS304	0.50	
32-5	121-144-18	Packing	1		NBR	7.60	*
35	035-113-18	Oil Plug	1	M12x14L	SUS304	3.60	
35-4	121-247-12	Packing	1	11.8x18x2t	NBR	0.60	*
40	040-122-16	Impeller Shim	1	35.2x45x0.3t	SS	2.40	
47	047-107-16	Impeller Prot. Cover	1	No.6	SPC	5.80	
49	049-135-19	Bottom Plate	1		SPC	164.30	
49-1	144-125-27	Stud Bolt	3	M12x182L(T)	SUS403	17.30	
49-2	141-007-10	Hex. Nut	3	M12	SUS304	1.30	
49-31	142-129-25	Plain Washer	3	M12	SPC	0.20	
49-32	142-129-25	Plain Washer	3	M12	SPC	0.20	
50	050-334-14	Motor Bracket	1		FC	784.40	
50-4	122-249-17	O-Ring	1	266.07x5.33	NBR		*
50-11	140-102-13	Hex. Bolt	4	M12x55L	SUS304	3.30	
50-12	140-100-11	Hex. Bolt	3	M12x45L	SUS304	2.80	
50-31	142-165-10	Spring Washer	4	M12	SUS304	0.50	
50-32	142-165-10	Spring Washer	3	M12	SUS304	0.50	
52A	052-112-10	Ball Bearing	1	#6309ZZC3		44.50	
52A-3	142-201-19	Wave Washer	1	#6309	SK-5	3.70	
52A-4	122-131-15	O-Ring	1	G-100 (3.1)	NBR	2.10	*
52B	052-131-15	Ball Bearing	1	#6311ZZC3		71.50	
53	053-329-15	Motor Protector	1	KA315JXAL00	220V	731.10	
53	053-401-12	Motor Protector	1	KA315JBEAL00	440V	740.00	
53-1	143-015-17	Cross Pan Screw	2	M4x10L	SWRM	0.10	
54-8	147-008-19	Impeller Key	1	10x8x45L	SUS304	14.80	
55	055-502-10	Rotor and Shaft	1			1,443.30	
56	056-452-17	Motor Stator	1		220V	1,818.90	
58	058-135-15	L.Wire Prot. Plate	1	110x266x3.2	SPHC	130.20	
60	060-321-19	Bearing Housing	1		FC	421.80	
60-1	140-078-19	Hex. Bolt	4	M10x35L	SUS304	1.80	
60-3	142-164-19	Spring Washer	4	M10	SUS304	0.30	
60-4	122-247-15	O-Ring	1	228.19 x 53	NBR		*
62	062-177-14	Bearing Cover	1		SS	37.40	
62-1	140-033-25	Hex. Bolt	3	M6 x 16L	SWRM	0.20	
64	064-398-19	Motor Frame	1		FC	1,077.30	
64-5	121-263-14	Packing	1		NBR		*
68	068-213-11	Handle	1		SGP	130.80	
68-5	165-017-17	Rubber Cap	2		NBR	4.40	
70	070-107-18	Cable Clamp	1		FC	4.40	

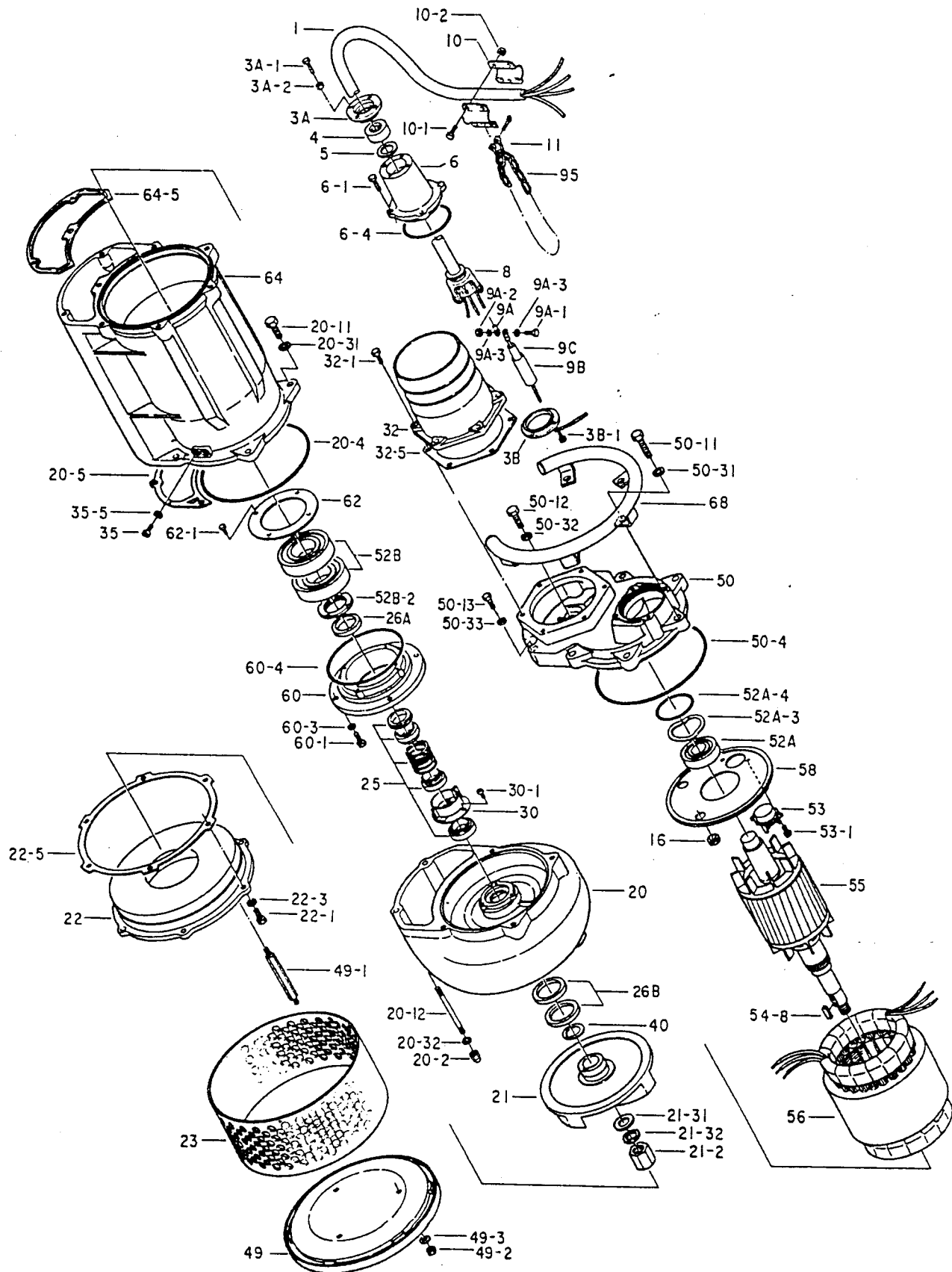
PARTS PRICE LIST

KRS-815

IKR815A

Control Number :		PLPA-IKR815A-02		Supercedes:		PLPA-IKR815A-01		(10/15/99)
ITEM	PARTS NO.	DESCRIPTION	Q'TY	SIZE	MATERIAL	PRICE (\$)	NOTE	
70-1	140-035-14	Hex. Bolt	2	M6x20L	SUS304	0.40		
71	071-131-27	Shaft Sleeve	1	KRS-8L	SUS403	42.90		
	173-373-19	Packing O-Ring Set	1	(*)		48.50		

- Pricing in U.S. currency and subject to change without notice.
- Items with * come in Packing O-Ring Set.



PARTS PRICE LIST

KRS-819

IKR819A

Control Number :		PLPA-IKR819A-02	Supercedes:		PLPA-IKR819A-01	(10/15/99)	
ITEM	PARTS NO.	DESCRIPTION	Q'TY	SIZE	MATERIAL	PRICE (\$)	NOTE
1	001-302-11	Cab-tyre Cable	1	AWG4 x 49'	2PNCT.F	2664.00	
3A	003-164-15	Gland	1		FC	19.50	
3A-1	140-056-11	Hex. Bolt	4	M8x30L	SUS304	0.90	
3A-2	141-005-18	Hex. Nut	4	M8	SUS304	0.50	
3B	003-149-14	Gland	1	No.5	FC	9.20	
3B-1	140-033-25	Hex. Bolt	4	M6x16L	SWRM	0.20	
4	004-134-19	Cable Bush	1			3.80	
5	005-123-18	Bush Washer	1	35x57x3.2	SPC	2.70	
6	006-119-27	Stuffing Box	1		FC	82.30	
6-1	140-076-17	Hex. Bolt	4	M10x30L	SUS304	1.60	
6-4	122-135-19	O-Ring	1	G-120(3.1)	NBR	2.90	*
8	008-132-19	Rubber Boot	1		CR	13.60	
9A	009-117-11	Terminal	7		BSBM	1.50	
9A-1	140-030-48	Hex. Bolt	3	M6x12L	BSBM2	0.40	
9A-2	141-004-46	Hex. Nut	3	M6	BSBM2	0.20	
9A-3	142-126-48	Plain Washer	6	M6	BSBM2	0.10	
9B	002-116-19	Heat Shrink Tube	1	NST-120	\$/3.2ft	14.80	
9C	002-115-18	Heat Shrink Tube	1	NST-150	\$/3.2ft	13.30	
10	010-143-10	Cable Clip	1	No.5	SPC	17.80	
10-1	140-054-19	Hex. Bolt	4	M8x20L	SUS304	0.80	
10-2	141-005-18	Hex. Nut	4	M8	SUS304	0.50	
11		Shackle	1	8mm	S20C	2.40	
16	016-108-11	L.Wire Prot. Bush	1		NBR	17.80	
20	020-464-11	Pump Casing	1		FC	1229.00	
20-2	141-032-14	Hex. Cap Nut	2	M12	SUS304	3.30	
20-4	122-161-14	O-Ring	1	G-300 (5.7)	NBR		*
20-5	121-132-13	Packing	1		NBR		*
20-11	140-126-13	Hex. Bolt	4	M16x50L	SUS304	5.00	
20-12	144-148-13	Stud Bolt	2	M12x175L(R)	SUS403	8.90	
20-31	142-166-11	Spring Washer	4	M16	SUS304	1.00	
20-32	142-165-10	Spring Washer	2	M12	SUS304	0.50	
21	021-737-24	Impeller	1	60HZ	FCD	449.30	
21-2	157-005-17	Hex. Cap Nut	1	M30 (P3.5)	S35C	20.70	
21-31	142-150-25	Plain Washer	1	M30	SPC	1.80	
21-32	142-171-19	Spring Washer	1	M30	SUS304	8.90	
22	022-144-21	Suction Cover	1		FC	231.50	
22-1	140-098-15	Hex. Bolt	6	M12x35L	SUS304	2.40	
22-3	142-129-25	Plain Washer	6	M12	SPC	0.20	
22-5	120-106-15	Packing	1	360x416	Poly.Sheet	7.50	
23	023-120-11	Strainer	1		SPC	108.50	
25	025-197-15	Mechanical Seal	1	H-45	SIC	643.80	
26A	026-228-19	Oil Seal	1	SC-557812	NBR	23.70	
26B	026-117-14	Oil Seal	2	TC-709212	NBR	18.40	
30	030-121-14	Oil Ring	1		SPC	5.90	
30-1	143-070-10	Cross Pan Screw	3	M5x6L	SWRM	0.10	
32	032-255-14	Hose Coupling	1	NPT-8"	FC	429.80	
32-1	140-098-15	Hex. Bolt	6	M12x35L	SUS304	2.40	
32-5	121-144-18	Packing	1		NBR	7.60	*
35	035-113-18	Oil Plug	2	M12x14L	SUS304	3.60	
35-5	121-247-12	Packing	2	11.8x18x2t		0.60	*
40	040-111-12	Impeller Shim	1	42.5x58x0.3t	SUS304	1.50	
49	049-117-15	Bottom Plate	1		SPC	162.80	
49-1	144-127-29	Stud Bolt	3	M12x207L(T)	SUS403	20.10	
49-2	141-007-10	Hex. Nut	3	M12	SUS304	1.30	
49-3	142-129-25	Plain Washer	3	M12	SPC	0.20	
50	050-335-15	Motor Bracket	1		FC	1613.20	*
50-4	122-248-16	O-Ring	1	304.17x5.33	NBR		*
50-11	140-131-11	Hex. Bolt	5	M16x75L	SUS304	6.50	
50-12	140-127-14	Hex. Bolt	1	M16x55L	SUS304	5.30	
50-13	140-100-11	Hex. Bolt	2	M12x45L	SUS304	2.80	
50-31	142-166-11	Spring Washer	5	M16	SUS304	1.00	
50-32	142-166-11	Spring Washer	1	M16	SUS304	1.00	
50-33	142-165-10	Spring Washer	2	M12	SUS304	0.50	
52A	052-112-10	Ball Bearing	1	#6309ZZC3		44.50	
52A-3	142-201-19	Wave Washer	1	#6309	SK-5	3.70	
52A-4	122-131-15	O-Ring	1	G-100(3.1)	NBR	2.10	*
52B	052-145-12	Ball Bearing SET/2 PCS	1	#6314ZZD2C3		351.50	
52B-2	141-079-13	Bearing Nut	1	AN14		26.20	
53	053-308-18	Motor Protector	1	KA316NCXL00	220V	885.00	
53	053-366-14	Motor Protector	1	KA316NEZL00	440V	916.10	
53-1	143-030-18	Cross Pan Screw	2	M5x14L	SWRM	0.10	
54-8	147-007-18	Impeller Key	1	12x8x50L	SUS304	17.80	
55	055-503-11	Rotor and Shaft	1			2519.00	
56	056-453-18	Motor Stator	1		220V	3799.20	
58	058-134-16	L.Wire Prot. Plate	1	110x304x3.2t	SPHC	139.10	
60	060-322-10	Bearing Housing	1		FC	669.00	
60-1	140-078-19	Hex. Bolt	4	M10x35L	SUS304	1.80	

PARTS PRICE LIST

KRS-819

IKR819A

Control Number :		PLPA-IKR819A-02		Supercedes:		PLPA-IKR819A-01		(10/15/99)	
ITEM	PARTS NO.	DESCRIPTION	Q'TY	SIZE	MATERIAL	PRICE (\$)	NOTE		
60-3	142-164-19	Spring Washer	4	M10	SUS304	0.30			
60-4	122-152-12	O-Ring	1	G-210(5.7)	NBR		*		
62	062-178-15	Bearing Cover	1		SS41	68.10			
62-1	140-054-48	Hex. Bolt	4	M8x20L	SWRM	0.30			
64	064-399-10	Motor Frame	1		FC	2780.90			
64-5	121-262-13	Packing	1		NBR		*		
68	068-214-12	Handle	1		SS	156.90			
68-5		Rubber Cap	2	comes in #68	NBR				
95	095-100-18	Chain	1	5	SS	4.40			
	173-374-10	Packing O-Ring Set	1	(*)		65.10			

- Pricing in U.S. currency and subject to change without notice.
- Items with * come in Packing O-Ring Set.

PARTS PRICE LIST

KRS-822(L)

IKR822(L)A

Control Number :		PLPA-IKR822A-02	Supercedes:		PLPA-IKR822A-01	(10/15/99)	
ITEM	PARTS NO.	DESCRIPTION	Q'TY	SIZE	MATERIAL	PRICE (\$)	NOTE
1	001-302-11	Cab-tyre Cable	1	AWG4 x 49'	2PNCT.F	2664.00	
3A	003-164-15	Gland	1		FC	19.50	
3A-1	140-056-11	Hex. Bolt	4	M8x30L	SUS304	0.90	
3A-2	141-005-18	Hex. Nut	4	M8	SUS304	0.50	
3B	003-149-14	Gland	1	No.5	FC	9.20	
3B-1	140-033-25	Hex. Bolt	4	M6x16L	SWRM	0.20	
4	004-134-19	Cable Bush	1		NBR	3.80	
5	005-123-18	Bush Washer	1	35x57x3.2	SPC	2.70	
6	006-119-27	Stuffing Box	1		FC	82.30	
6-1	140-076-17	Hex. Bolt	4	M10x30L	SUS304	1.60	
6-4	122-135-19	O-Ring	1	G-120(3.1)	NBR	2.90	*
8	008-132-19	Rubber Boot	1		CR	13.60	
9A	009-117-11	Terminal	7		BSBM	1.50	
9A-1	140-030-48	Hex. Bolt	3	M6x12L	BSBM2	0.40	
9A-2	141-004-46	Hex. Nut	3	M6	BSBM2	0.20	
9A-3	142-126-48	Plain Washer	6	M6	BSBM2	0.10	
9B	002-116-19	Heat Shrink Tube	1	NST-120	\$/3.2ft	14.80	
9C	002-115-18	Heat Shrink Tube	1	NST-150	\$/3.2ft	13.30	
10	010-143-10	Cable Clip	1	No.5	SPC	17.80	
10-1	140-054-19	Hex. Bolt	4	M8x20L	SUS304	0.80	
10-2	141-005-18	Hex. Nut	4	M8	SUS304	0.50	
11		Shackle	1	8mm	S20C	2.40	
16	016-108-11	L.Wire Prot. Bush	1		NBR	17.80	
20	020-464-11	Pump Casing	1		FC	1229.00	
20-2	141-032-14	Hex. Cap Nut	2	M12	SUS304	3.30	
20-4	122-161-14	O-Ring	1	G-300 (5.7)	NBR		*
20-5	121-132-13	Packing	1		NBR		*
20-11	140-126-13	Hex. Bolt	4	M16x50L	SUS304	5.00	
20-12	144-148-13	Stud Bolt	2	M12x175L(R)	SUS403	8.90	
20-31	142-166-11	Spring Washer	4	M16	SUS304	1.00	
20-32	142-165-10	Spring Washer	2	M12	SUS304	0.50	
21	021-739-26	Impeller	1	60Hz (KRS-822)	FCD	505.40	
21	021-321-18	Impeller	1	60Hz (KRS-822L)	FCD	280.80	
21-2	157-005-17	Hex. Cap Nut	1	M30 (P3.5)	S35C	20.70	
21-31	142-150-25	Plain Washer	1	M30	SPC	1.80	
21-32	142-171-19	Spring Washer	1	M30	SUS304	8.90	
22	022-144-21	Suction Cover	1	KRS-822	FC	231.50	
22	022-143-17	Suction Cover	1	KRS-822L	FC	212.70	
22-1	140-098-15	Hex. Bolt	6	M12x35L	SUS304	2.40	
22-3	142-129-25	Plain Washer	6	M12	SPC	0.20	
22-5	120-106-15	Packing	1	360x416	Poly.Sheet	7.50	
23	023-120-11	Strainer	1		SPC	108.50	
25	025-197-15	Mechanical Seal	1	H-45	SIC	643.80	
26A	026-228-19	Oil Seal	1	SC-557812	NBR	23.70	
26B	026-117-14	Oil Seal	2	TC-709212	NBR	18.40	
30	030-121-14	Oil Ring	1		SPC	5.90	
30-1	143-070-10	Cross Pan Screw	3	M5x6L	SWRM	0.10	
32	032-255-14	Hose Coupling	1	NPT-8"	FC	429.80	
32-1	140-098-15	Hex. Bolt	6	M12x35L	SUS304	2.40	
32-5	121-144-18	Packing	1		NBR	7.60	*
35	035-113-18	Oil Plug	2	M12x14L	SUS304	3.60	
35-5	121-247-12	Packing	2	11.8x18x2t	Poly.Sheet	0.60	*
40	040-111-12	Impeller Shim	1	42.5x58x0.3t	SUS304	1.50	
49	049-117-15	Bottom Plate	1		SPC	162.80	
49-1	144-127-29	Stud Bolt	3	M12x207L(T)	SUS403	20.10	
49-2	141-007-10	Hex. Nut	3	M12	SUS304	1.30	
49-3	142-129-25	Plain Washer	3	M12	SPC	0.20	
50	050-335-15	Motor Bracket	1		FC	1613.20	
50-4	122-248-16	O-Ring	1	304.17x5.33	NBR		*
50-11	140-131-11	Hex. Bolt	5	M16x75L	SUS304	6.50	
50-12	140-127-14	Hex. Bolt	1	M16x55L	SUS304	5.30	
50-13	140-100-11	Hex. Bolt	2	M12x45L	SUS304	2.80	
50-31	142-166-11	Spring Washer	5	M16	SUS304	1.00	
50-32	142-166-11	Spring Washer	1	M16	SUS304	1.00	
50-33	142-165-10	Spring Washer	2	M12	SUS304	0.50	
52A	052-112-10	Ball Bearing	1	#6309ZZC3		44.50	
52A-3	142-201-19	Wave Washer	1	#6309	SK-5	3.70	
52A-4	122-131-15	O-Ring	1	G-100(3.1)	NBR	2.10	*
52B	052-145-12	Ball Bearing SET/2 PCS	1	#6314ZZD2C3		351.50	
52B-2	141-079-13	Bearing Nut	1	AN14		26.20	
53	053-330-19	Motor Protector	1	KA316NCBL00-F	(B.C)220V	916.10	
53	053-366-14	Motor Protector	1	KA316-NEZL00	440V	921.00	
53-1	143-030-18	Cross Pan Screw	2	M5x14L	SWRM	0.10	
54-8	147-007-18	Impeller Key	1	12x8x50L	SUS304	17.80	
55	055-504-12	Rotor and Shaft	1			2689.20	
56	056-454-19	Motor Stator	1		220V	4173.60	
58	058-134-16	L.Wire Prot. Plate	1	110x304x3.2t	SPHC	139.10	

PARTS PRICE LIST

KRS-822(L)

IKR822(L)A

Control Number :		PLPA-IKR822A-02		Supercedes:		PLPA-IKR822A-01		(10/15/99)	
ITEM	PARTS NO.	DESCRIPTION	Q'TY	SIZE	MATERIAL	PRICE (\$)	NOTE		
60	060-322-10	Bearing Housing	1		FC	669.00			
60-1	140-078-19	Hex. Bolt	4	M10x35L	SUS304	1.80			
60-3	142-164-19	Spring Washer	4	M10	SUS304	0.30			
60-4	122-152-12	O-Ring	1	G-210(5.7)	NBR		*		
62	062-178-15	Bearing Cover	1		SS	68.10			
62-1	140-054-48	Hex. Bolt	4	M8x20L	SWRM	0.30			
64	064-399-10	Motor Frame	1		FC	2780.90			
64-5	121-262-13	Packing	1		NBR		*		
68	068-214-12	Handle	1		SS	156.90			
68-5		Rubber Cap	2	comes in #68	NBR				
95	095-100-18	Chain	1	5	SS	4.40			
	173-374-10	Packing O-Ring Set	1	(*)		65.10			

- Pricing in U.S. currency and subject to change without notice.
- Items with * come in Packing O-Ring Set.

PARTS PRICE LIST

KRS-10M

IKR10MA

Control Number :		PLPA-IKR10A-02	Supercedes:		PLPA-IKR10A-01	(10/15/99)	
ITEM	PARTS NO.	DESCRIPTION	Q'TY	SIZE	MATERIAL	PRICE (\$)	NOTE
1	001-164-19	Cab-tyre Cable	1	AWG2 x 49'	3CT	2,483.40	
3	003-129-18	Gland	1	No.4	FC	13.60	
3-1	140-075-45	Hex. Bolt	2	M10x25L	SUS410	1.50	
3-3	142-164-19	Spring Washer	2	M10	SUS304	0.30	
4	004-121-13	Cable Bush	1	No.7	SBR	3.60	
5	005-106-15	Bush Washer	2	42x57x4	SPC	2.80	
6	006-128-16	Stuffing Box	1		FC	149.50	
6-1	140-076-17	Hex. Bolt	4	M10x30L	SUS304	1.60	
6-3	142-164-19	Spring Washer	4	M10	SUS304	0.30	
6-4	122-066-18	O-Ring	1	P-112(5.7)	NBR	3.10	*
10	010-103-21	Cable Clip	1	No.4	SPC	17.00	
10-2	141-006-19	Hex. Nut	4	M10	SUS304	1.00	
10-3	142-164-19	Spring Washer	4	M10	SUS304	0.30	
10-11	140-074-15	Hex. Bolt	3	M10x20L	SUS304	1.50	
10-12	140-078-19	Hex. Bolt	1	M10x35L	SUS304	1.80	
11	011-102-10	Shackle	1	9MM	SS	2.70	
20	020-535-14	Pump Casing	1		FC	1,949.20	
20-1	140-306-19	Socket Head Bolt	6	M12x55L	SUS304	8.30	
20-3	142-165-10	Spring Washer	6	M12	SUS304	0.50	
20-41	122-348-17	O-Ring	1	255x5.7	NBR		*
20-42	122-312-12	O-Ring	1	430x5.7	NBR		*
21	021-824-16	Impeller	1	60Hz	FCD	954.60	
21-1	140-049-11	Hex. Bolt	1	M8 x 12L	SUS304	0.70	
21-2	157-005-17	Hex. Cap Nut	1	M30(P3.5)	S35C	20.70	
21-3	142-150-25	Plain Washer	1	M30	SPC	1.80	
22	022-527-19	Suction Cover	1		FC	310.20	
22-2	141-007-10	Hex. Nut	3	M12	SUS304	1.30	
22-3	142-165-10	Spring Washer	6	M12	SUS304	0.50	
22-5	120-103-12	Packing	1	360x416	Poly. Sheet	7.50	
22-11	140-098-15	Hex. Bolt	6	M12x35L	SUS304	2.40	
22-12	144-127-29	Stud Bolt	3	M12x207L(T)	SUS403	20.10	
22-31	142-165-10	Spring Washer	3	M12	SUS304	0.50	
22-32	142-145-14	Plain Washer	3	M12	SUS304	0.50	
23	023-286-29	Strainer	1			1,309.80	
25	025-197-15	Mechanical Seal	1	H-45	SIC	643.80	
26A	026-111-18	Oil Seal	1	TC-456812	NBR	6.80	
26B	026-117-14	Oil Seal	2	TC-709212	NBR	18.40	
28	028-123-19	Oil Casing	1		FC	411.40	
28-1	140-268-18	Socket Head Bolt	6	M8x20L	SUS304	1.60	
28-4	122-298-11	O-Ring	1	160x3.8	NBR	4.80	*
30	030-121-14	Oil Ring	1		SPC	5.90	
30-1	143-028-13	Cross Pan Screw	3	M5x10L	SWRM	0.10	
32	032-265-15	Hose Coupling	1	NPT-10"	FC	657.90	
32-1	140-150-16	Hex. Bolt	12	M20x60L	SUS304	10.70	
32-3	142-168-13	Spring Washer	12	M20	SUS304	1.80	
32-5	121-110-15	Packing	1		NBR	16.00	*
35	035-102-27	Oil Plug	2	M12x16L	SUS403	4.70	
35-4	122-259-10	O-Ring	2	12x3	NBR	0.60	*
40	040-111-12	Impeller Shim	1	42.5x58x0.3t	SUS304	1.50	
50	050-266-14	Motor Bracket	1		FC	3,700.00	
50-3	142-165-36	Spring Washer	6	M12	SPC	0.20	
50-4	122-349-18	O-Ring	1	265x4.1	NBR		*
50-11	140-105-16	Hex. Bolt	2	M12x70L	SUS304	4.00	
50-12	140-113-17	Hex. Bolt	2	M12x120L	SUS304	6.20	
50-13	140-402-16	Socket Head Bolt	2	M12x230L	SUS304	53.30	
52A	052-111-19	Ball Bearing	1	#6308ZZC3		34.90	
52A-3	142-200-18	Wave Washer	1	#6308	SK-5	3.10	
52B	052-143-10	Ball Bearing SET/2 PCS	1	#6312ZZD2C3		227.60	
52B-2	141-077-11	Bearing Nut	1	AU12	SS	25.30	
52B-3	142-245-15	Bearing Washer	1	AW12	SPC	7.70	
53	053-228-13	Motor Protector	1	KA316NCBL00	(B.C)220V	916.10	
53	053-191-16	Motor Protector	1	KA315JLBL00	440V	355.20	
53-1	143-030-18	Cross Pan Screw	2	M5x14L	SWRM	0.10	
54-8	147-068-17	Impeller Key	1	12x8x45L	SUS	17.80	
55	055-384-14	Rotor and Shaft	1			2,732.10	
56	056-337-15	Motor Stator	1		(220V)	4,118.80	
58	058-174-18	L.Wire Prot. Plate	1	93x270x1.6t	SPC+Rubber	88.80	
60	060-255-11	Bearing Housing	1		FC	2,905.20	
60-1	140-099-16	Hex. Bolt	6	M12x40L	SUS304	2.50	
60-3	142-165-36	Spring Washer	6	M12	SPC	0.20	

PARTS PRICE LIST

KRS-10M

IKR10MA

Control Number : PLPA-IKR10A-02

Supercedes:

PLPA-IKR10A-01

(10/15/99)

ITEM	PARTS NO.	DESCRIPTION	Q'TY	SIZE	MATERIAL	PRICE (\$)	NOTE
60-4	122-349-18	O-Ring	1	265x4.1	NBR		*
62	062-147-15	Bearing Cover	1		FC	109.50	
62-1	140-075-16	Hex. Bolt	4	M10x25L	SUS304	1.50	
64	064-350-19	Motor Frame	1		FC	1,534.80	
65	065-160-13	Outer Cover	1		SS	999.00	
65-4	122-359-11	O-Ring	2	445x5.7	NBR		*
72	072-106-13	Lifting Hook	2		SS	37.40	
72-1	140-124-11	Hex. Bolt	4	M16x40L	SUS304	4.30	
72-3	142-166-11	Spring Washer	4	M16	SUS304	1.00	
95	095-100-18	Chain	1	5	SS	4.40	
173	173-082-18	Packing O-Ring Set	1	(*)		113.70	

• Pricing in U.S. currency and subject to change without notice.

• Items with * come in Packing O-Ring Set.