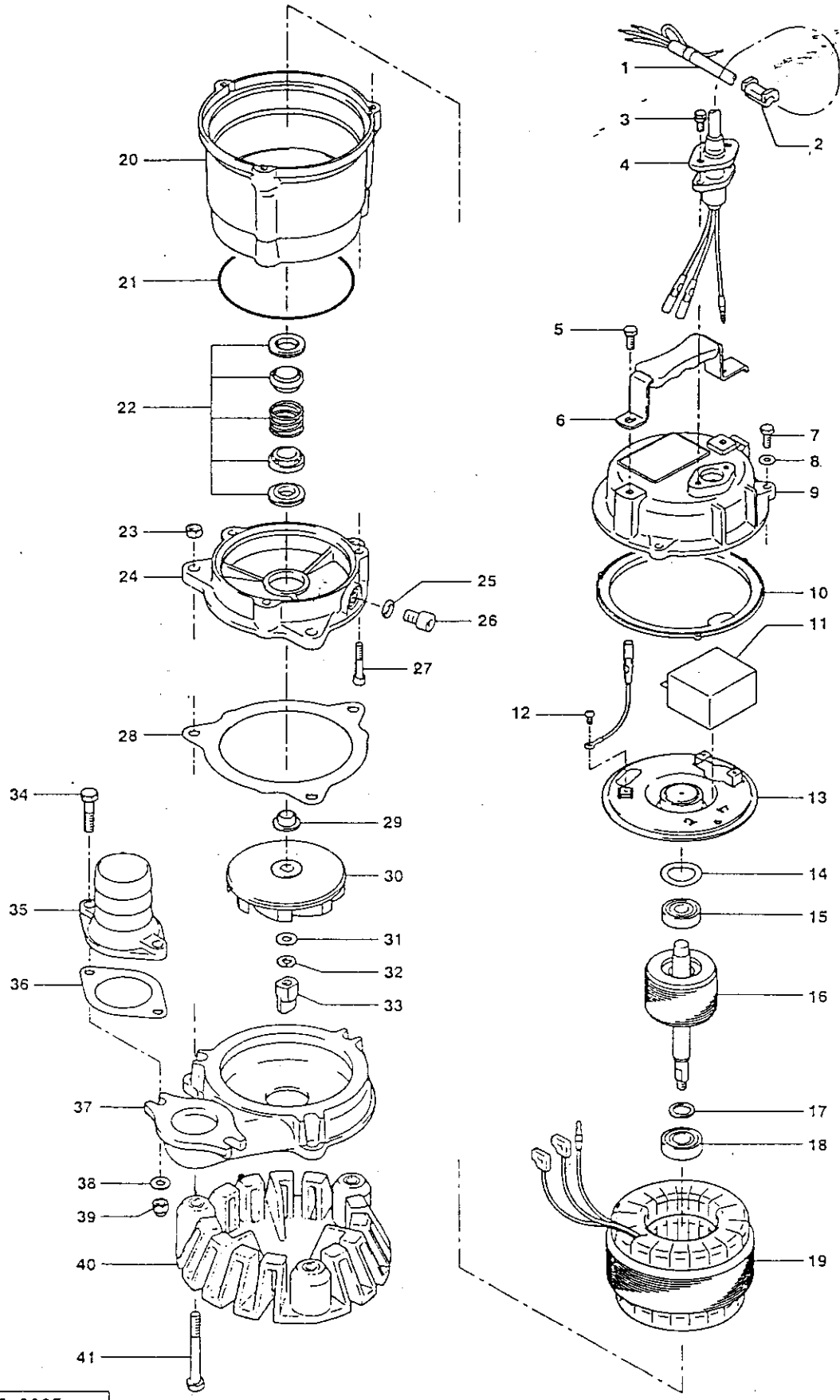


EXPLODED VIEW

HS2.4S-51/61



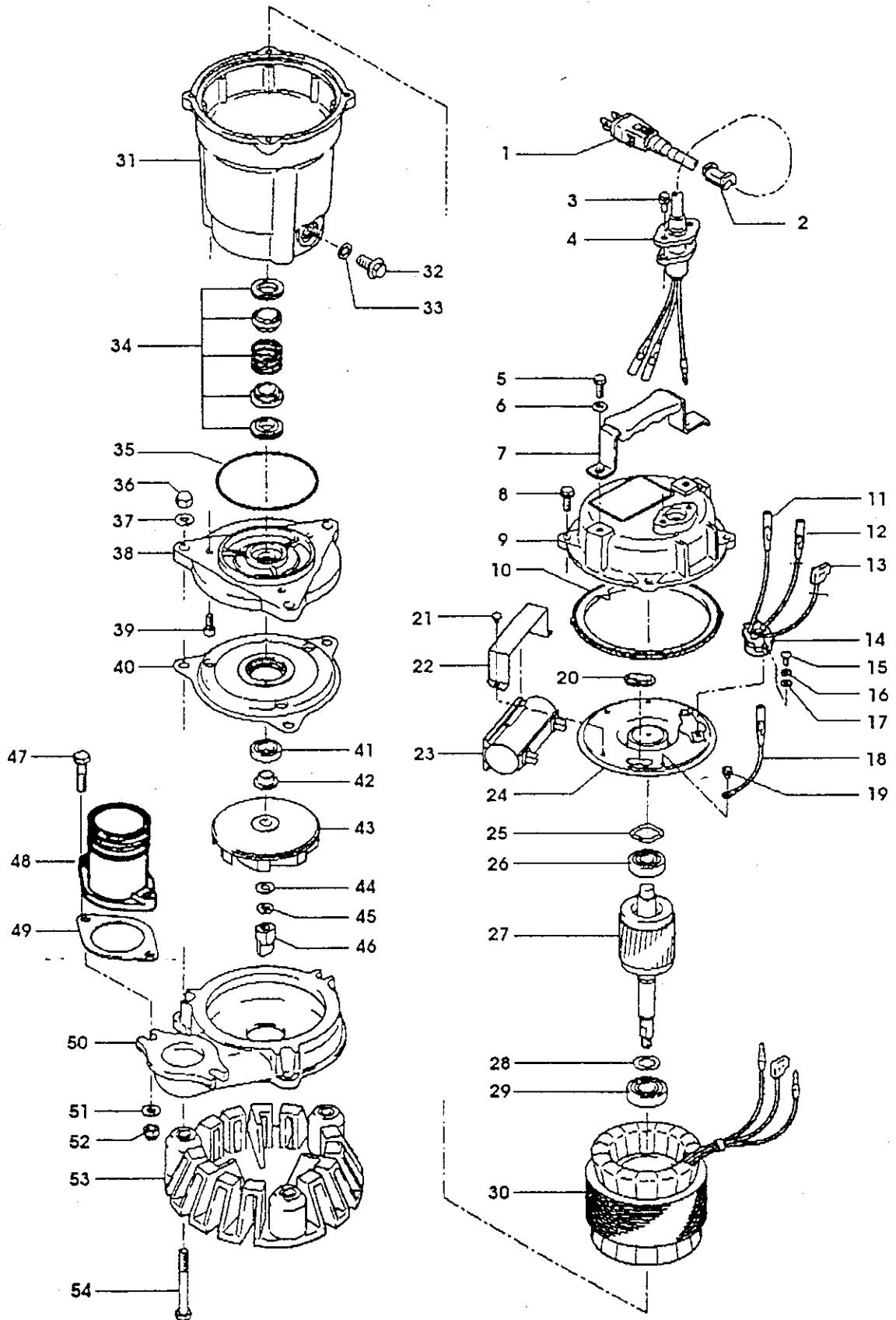
管理 no. C-0025

PARTS PRICE LIST HS2.4S-61

Motor manufacturer: Kusatsu (08/01/99)

ITEM	PARTS NO.	DESCRIPTION	Q'TY	SIZE	MATERIAL	PRICE (\$)
1	001-813-23	Cabtyre Cable	1	AWG16 x 16'	VCT x 3C	59.00
2	010-134-18	Cable Clip Rubber	1	HS3-4	NBR	2.20
3	140-427-17	Hex. Bolt	2	M5 x 15	SUS304	0.50
4	003-100-13	Gland	1		SUS304	4.90
5	140-032-37	Hex. Bolt	2	M6 x 15	SWRM	0.20
6	068-272-18	Handle	1			11.50
7	140-036-15	Hex. Bolt	3	M6 x 25	SUS304	0.50
8	142-126-19	Plain Washer	3	M6	SUS304	0.20
9	051-250-18	Head Cover	1	HSES-R	ADC	47.40
10	121-546-14	Packing	1	120x142x6.2t	NBR	* 7.00
11	076-148-19	Capacitor	1	32MF-270VAC		71.00
12	143-073-26	Cross Pan Screw	1	M4 x 4	BSBM	0.20
13	050-451-18	Motor Bracket	1		SECD	17.80
14	142-192-16	Wave Washer	1	#6201	SK-5	1.90
15	052-100-15	Bearing	1	6201ZZC3		5.30
16	055-773-14	Rotor and Shaft	1			142.10
17	061-178-12	Bearing Collar	1	15.1x20x1.6t	SS	5.90
18	052-101-16	Bearing	1	6202ZZC3		6.80
19	056-B09-16	Stator	1	110V		201.30
20	064-516-15	Motor Frame	1		ADC	97.70
21	122-133-17	O-Ring	1	G-110	NBR	* 2.90
22	025-291-10	Mechanical Seal	1	W-14VL	SiC	56.20
23	141-005-34	Hex. Nut	3	M8	S35C	0.20
24	029-360-13	Oil Casing	1	HS2.4S-61	FC	51.10
25	121-246-11	Packing	1	10.3x16x2t	Poly Sheet	* .80
26	035-124-12	Oil Plug	1	M10 x 15	SUS304	1.90
27	140-256-26	Hex. Socket Cap Screw	3	M6 x 35	SCM	1.20
28	121-499-11	Packing	1	HS3-4C	NR	* 5.30
29	071-292-14	Shaft Sleeve	1	LB2-400	SUS304	4.90
30	021-L79-18	Impeller	1	60Hz		29.60
31	142-127-10	Plain Washer	1	M8	SUS304	0.20
32	142-163-18	Spring Washer	1	M8	SUS304	0.20
33	024-174-13	Stirrer	1	HS2.4S(M8)	SS	8.90
34	140-057-38	Hex. Bolt	2	M8 x 35	SWRM	0.40
35	032-289-17	Hose Coupling	1	2" NPT (45 deg.)	ADC	36.30
35	032-214-11	Hose Coupling	1	2" NPT (straight)	FC	35.50
36	121-138-19	Packing	1	LB(P.C. 84)	NBR	* 1.50
37	020-932-15	Pump Casing	1	SK2.4S	FC	28.40
38	142-127-10	Plain Washer	2	M8	SUS304	0.20
39	141-005-34	Hex. Nut	2	M8	S35C	0.20
40	023-453-16	Strainer Stand	1	SK2.4S	PVC	28.10
41	140-064-12	Hex. Bolt	3	M8 x 70	SUS304	2.70
42	173-550-12	Packing O-Ring Set	1	(*)		14.80

- Pricing in U.S. currency and subject to change without notice.
- Items with * come in Packing O-Ring Set.



PARTS PRICE LIST

HS2.4S-60

IHS24S60A

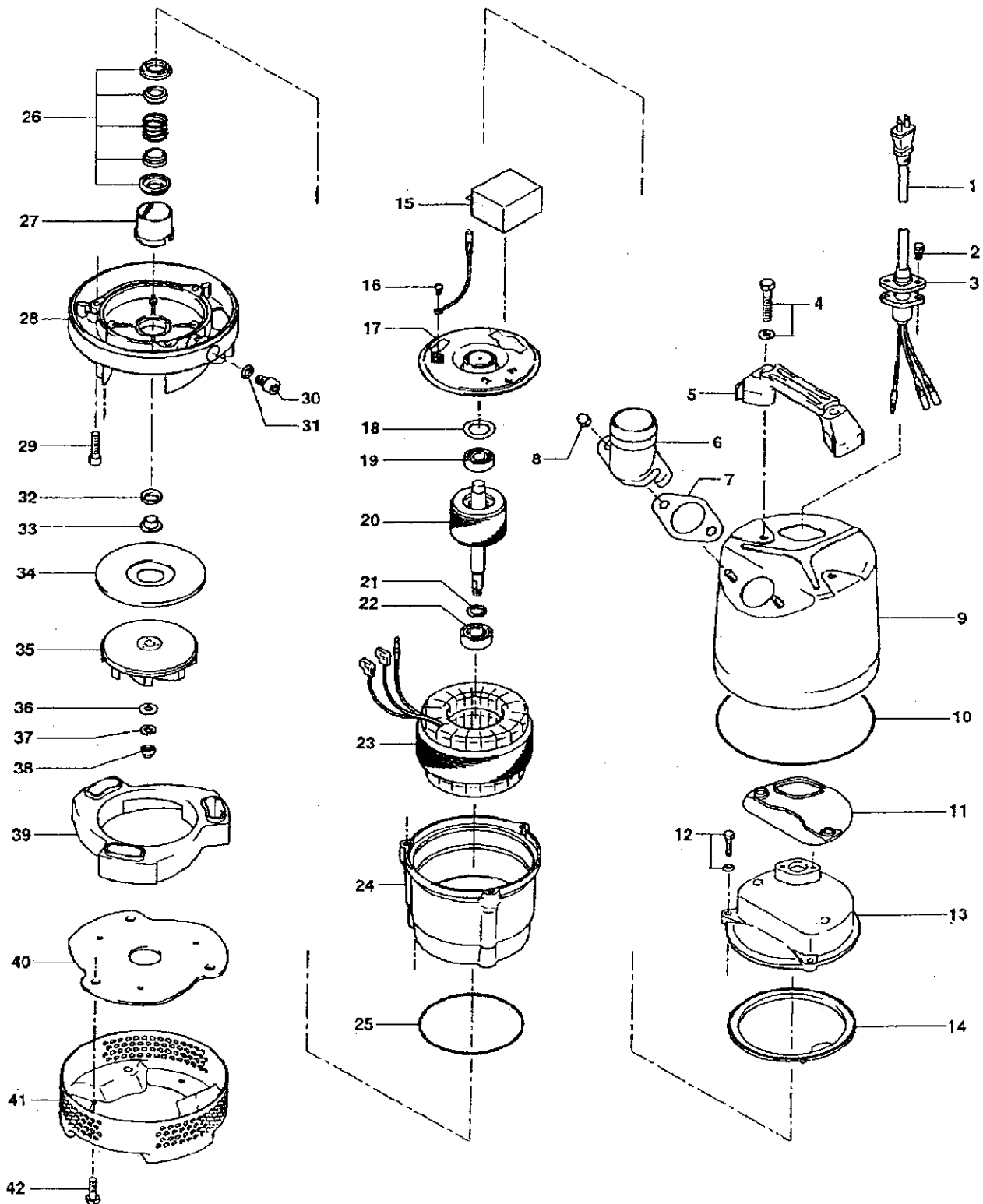
Control Number :		PLPA-IHS24S6A-02	Supercedes:		PLPA-IHS24S6A-01	(08/01/99)		
ITEM	PARTS NO.	DESCRIPTION	Q'TY	SIZE	MATERIAL	PRICE (\$)	NOTE	
1	001-813-23	Cab-tyre Cable	1	AWG16x16'	VCT x 3c	59.00	001-943-10	
2	010-134-18	Cable Clip Rubber	1	HS3-4	NBR	2.20		
3	140-427-17	Hex. Bolt	2	M5x15	SUS304	0.50		
4	003-100-13	Gland	1	LB type	SUS304	4.90		
5	140-033-12	Hex. Bolt	2	M6x16	SUS304	0.30		
6	142-126-19	Plain Washer	2	M6	SUS304	0.20		
7	068-224-15	Handle	1	HS3 type	SPC+NR	11.50		
8	140-035-14	Hex. Bolt	4	H6x20	SUS304	0.40		
9	051-242-17	Head Cover	1		ADC	44.40		
10	121-518-17	Packing	1		NBR	*		
11	009-227-15	Lead Wire	1	AWG16x701(Blue)		3.00		
12	009-228-16	Lead Wire	1	AWG16x701(Grey)		3.00		
13	009-229-17	Lead Wire	1	AWG16x1401(Red)		3.00		
14	053-488-13	Motor Protector	1	KA142BPZL25	(H.C)110V	24.30		
15	143-015-17	Cross Pan Screw	2	M4x10	SWRM	0.10		
16	142-160-31	Spring Washer	2	M4	SWRM	0.20		
17	142-111-40	Plain Washer	2	M4	SPC	0.20		
18	009-230-11	L. Wire (Ground)	1	AWG16x1001		3.00		
19	140-452-11	Hex. Socket Bolt	1	M4x8	BSBM	0.90		
20	016-136-18	L.Wire Prot. Bush	1		CR	1.50		
21	143-085-21	Cross Pan Screw	2	M4x6	SWRM	0.30		
22	127-227-14	Fixture	1		SECC	3.00		
23	076-136-14	Startinh Capacitor	1	43MFD-220VAC		65.10		
24	050-430-11	Motor Bracket	1		SECC	17.80		
25	142-192-16	Wave Washer	1	#6201	SK-5	1.90		
26	052-100-15	Ball Bearing	1	#6201ZZC3		5.30		
27	055-726-12	Rotor and Shaft	1			165.80		
28	061-175-19	Bearing Collar	1	15x23x1.6t	SPC	3.00		
29	052-101-16	Bearing	1	#6202ZZC3		6.80		
30	056-A48-16	Stator	1		110V	195.40		
31	064-500-16	Motor Frame	1		ADC	112.50		
32	035-125-13	Oil Plug	1	M10x20(B=13)	SUS304	3.00		
33	121-246-11	Packing	1	10.3x16x2t	Poly Sheet	0.80		*
34	025-290-19	Mechanical Seal	1	W-14HL	SiC	51.10		
35	122-129-10	O-ring	1	G-90	NBR	2.04		*
36	141-030-12	Hex. Socket Nut	3	M8	SUS304	1.80		
37	142-127-23	Plain Washer	3	M8	SPC	0.20		
38	029-357-17	Oil Casing	1	HS2.4S	ADC	51.10		
39	140-249-13	Hex. Socket Bolt	3	M6x15	SUS304	0.90		
40	031-152-17	Wear Plate	1	MODIFIED / INCLUDED IN ITEM #38				
41	026-100-14	Oil Seal	1	SC-15287	NBR	2.10		
42	071-292-14	Shaft Sleeve	1	LB2-400	SUS304	4.90		
43	021-L79-18	Impeller	1	LB2-400(60HZ)	Urethane	29.60		
44	142-127-10	Plain Washer	1	M8	SUS304	0.20		
45	142-163-18	Spring Washer	1	M8	SUS304	0.20		
46	024-139-16	Agitator Nut	1	HS3-4	S25C	7.40		
47	140-057-12	Hex. Bolt	2	M8x35	SUS304	1.20		
48	032-214-11	Hose Coupling	1	NPT-2"	FC	35.50		
49	121-138-19	Packing	1	LB(P.C84)	NBR	1.50		*
50	020-778-11	Pump Casing	1	HS3-4	FCD	56.20		
51	142-127-10	Plain Washer	2	M8	SPC	0.20		
52	141-030-12	Hex. Socket Cap Nut	2	M8	SUS304	1.80		
53	023-453-16	Strainer Stand	1	SK2.4S	PVC	28.10		
54	140-064-12	Hex. Bolt	3	M8x70	SUS304	2.70		
	173-521-14	Packing O-ring Set	1	(*)		15.10		

* Pricing in U.S. currency and subject to change without notice.

* Items with * come in Packing O-Ring Set.

EXPLODED VIEW

LB-480-51/61

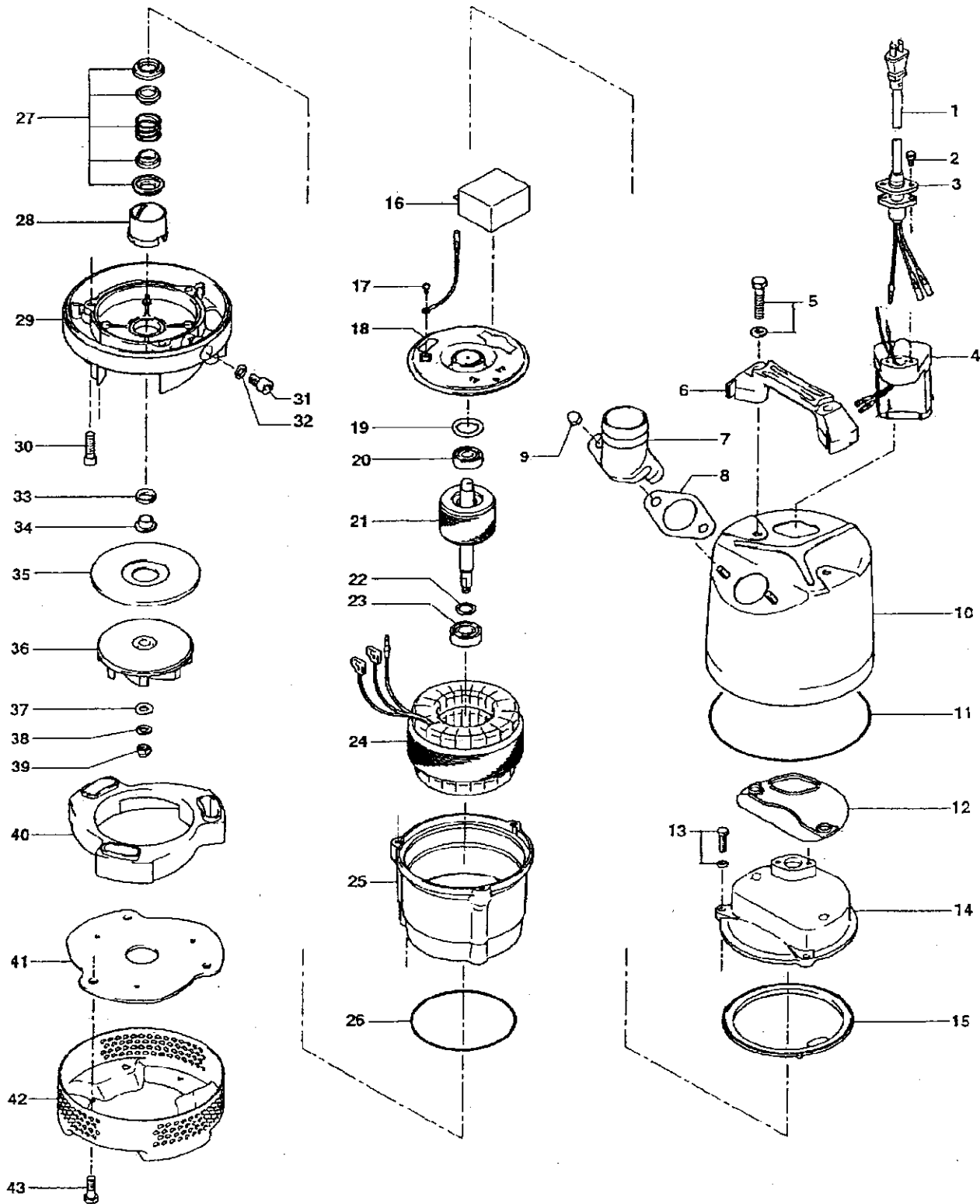


MODEL N(LB-480-51/61)

No	PARTS NO.	DESCRIPTION	QTY	SPECIFICATION	MATERIALS	WEIGHT(kg)
1	801-00187318-9	Cable Set (10m)110V-50HZ(UK)	1	H07RN3C1.5mm2(CEE)	LB(HAR)	1
801-00116914-9	Cable Set (5m)110V-60HZ(TWN)	1	VC13Cx1.25mm2(Complete)	LB		
801-00194118-9	Cable Set (5m)220V-60HZ	1	VC13Cx1.25mm2(CEE)	LB		
801-00145318-9	Cable Set (10m)220/230V-50HZ(EUR)	1	H07RN3C1mm2(CEE-W/PLUG)	LB(HAR)		
801-00194118-9	Cable Set (5m)220/230/240V-50HZ	1	VC13Cx1.25mm2(Complete)	LB		
801-00116914-9	Cable Set (5m)110V-60HZ(TWN)	1	VC13Cx1.25mm2(CEE)	LB		
801-00143312-9	Cable Set (5m)240V-50HZ(AUS)	1	VC13Cx1.25mm2(CEE-W/PLUG)	LB		
2	801-14042717-9	Hex Bolt (w/Plain Washer)	2	M5x15	SUS304	0.001
3	801-00310013-9	Gland	1		LB	0.01
4	801-14050510-9	Hex Bolt (w/Plain Washer)	2	M6x55	SUS304	0.025
5	801-06828413-9	Handle	1	LB-250/480-51/61 Type	Resin	0.09
6	801-03200017-9	Hose Coupling	1	50mm(LB-480-51/61 Type)	ADC	0.12
7	801-03242618-9	Hose Coupling	1	NPT-2(LB-480-51/61 Type)	ADC	
8	801-12158717-9	Packing	1	LB-250/480-51/61	NBR	0.001
9	801-06538213-9	Hex Nut (w/Flange)	2	M8	SUS304	1.2
10	801-12245316-9	Outer Cover	1	LB-250/480-51/61 Type	SPC	0.001
11	801-12143418-9	O-Ring	1	172xd2.7	NBR	0.013
12	801-14039616-9	Packing	1	LB3-250/480 Type	Synthetic Rubber	0.001
13	801-05128219-9	Hex Bolt (w/Plain Washer)	3	M6x20	SUS304	0.013
14	801-12154614-9	Head Cover	1		ADC	0.79
15		Packing	1	d120xd142x6.2t	NBR	0.02
16	801-14320314-9	Capacitor	1			
17	801-05048612-9	Pan Screw	1	M4x5	B5BM	
18	801-14219216-9	Motor Bracket	1		SECD	
19	801-05210015-9	Wave Washer	1	For #6201	SK-5	0.001
20	801-05568814-9	Bearing	1	6201ZZC3		0.04
21	801-06117812-9	Rotor	1set	w/Bearing		
22	801-05210116-9	Bearing Collar	1	d15.1xd20x1.6t	SS	0.045
23		Bearing	1set	6202ZZC3		
24	801-06450814-9	Stator	1			
25	801-12213317-9	Motor Frame	1	G-110	ADC	1.5
26	801-02529110-9	O-Ring	1	W-14VL Type	NBR	0.001
27	801-03015911-9	Mechanical Seal	1	W-14VL Type	SIC+CCBN	0.05
28	801-02940319-9	Oil Lifter	1	LB-250/480-51/61 Type	Resin	0.009
29	801-14025219-9	Oil Casing	3	M6x20	ADC	1
30	801-03512412-9	Hex. Socket Cap Bolt	1	M10x15	SUS304	0.001
31	801-12124611-9	Oil Plug	1	d10.3xd16x2t	SUS304	0.001
32	801-12244111-9	Packing	1	VR-14	PE	0.001
33	801-07129214-9	V-Ring	1	LB3-250/480 Type	NBR	0.001
34	801-03115318-9	Shaft Sleeve	1	LB-250/480-51/61 Type	SUS304	0.001
35	801-021L8012-9	Wear Ring	1	Nylon	Nylon	0.155
36	801-021L7918-9	Impeller (50Hz)	1	LB-480-51(For 50Hz)	Uretane Rubber	0.145
37	801-14212710-9	Impeller (60Hz)	1	LB-480-61(For 60Hz)	Uretane Rubber	0.001
38	801-14216318-9	Plain Washer	1	M8	SUS304	0.001
39	801-14103012-9	Spring Washer	1	M8	SUS304	0.001
40	801-020B8919-9	Hex Cap Nut	1	M8	SUS304	0.001
41	801-02354718-9	Pump Casing	1	LB-250/480-51/61 Type	SUS304	0.25
42	801-14000014-9	Suction Cover	1	LB-250/480-51/61 Type	SPHC	0.57
		Strainer Stand	1	LB-250/480-51/61 Type	SPC	
		Hex Bolt (w/Plain Washer)	3	M6x20	SUS304	
		<Packing O-Ring Set>	1set	(Marked by *)		
		Packing O-Ring Set	1	LB-250/480-51/61	NBR	0.055
		Packing (Hose Coupling)		Turbine Oil#32 155ml		0.001
		Lubricant				

EXPLODED VIEW

LB-480A-52/62



MODEL NO LB-480A-52/62

No	PARTS NO.	DESCRIPTION	QTY	SPECIFICATION	MATERIALS	WEIGHT(kg)
	1	801-00100079-9	1	H07R-F3Cx1.5mm2	LB	
		Cabtyre Cable Set (10m)110V-50HZ(ENG)				
	801-00100076-9	Cabtyre Cable Set (5m)110V-60HZ(TWN)	1	VCT3Cx1.25mm2(CEE)	LB	
	801-00100078-9	Cabtyre Cable Set (10m)220/230/240V-50HZ(EUR)	1	H07R-F3Cx1mm2	LB	
	801-00100075-9	Cabtyre Cable Set (5m)220/230/240V-50HZ	1	VCT3Cx1.25mm2(CEE)	LB	
	801-00100076-9	Cabtyre Cable Set (5m)220/230/240V-50HZ(THA)	1	VCT3Cx1.25mm2(CEE)	LB	
	801-00100080-9	Cabtyre Cable Set (5m)220/230/240V-50HZ(AUS)	1	VCT3Cx1.5mm2(CEE)	LB	
	2	801-14044612-9	2	M5x38	SUS304	0.001
		Hex.Bolt (w/Plain Washer)				
	3	801-00310013-9	1		LB	0.01
		Gland				
	4	801-11400014-9	1	EL-2 Type(100V)		
		Relay Unit				
	4	801-11400015-9	1	EL-2 Type(200V)		
		Relay Unit				
	5	801-14000013-9	2	M8x65	SUS304	0.025
		Hex.Bolt (w/Plain Washer)				
	6	801-06800006-9	1	LB-250/480-52/62 Type	Resin	
		Handle				
	7	801-03200012-9	1	50mm(LB-480-52/62 Type) ADC	ADC	
		Hose Coupling				
	7	801-03242618-9	1	NPT-2(LB-480-51/61 Type) ADC	ADC	
		Hose Coupling				
	8	801-12158717-9	1	LB-250/480-51/61	NBR	0.001
		Packing				
	9	801-14114410-9	2	M8	SUS304	
		Hex.Nut (w/Flange)				
	10	801-06538213-9	1	LB-250/480-51/61 Type	SPC	1.2
		Outer Cover				
	11	801-12245316-9	1	172xd2.7	NBR	0.001
		O-Ring				
	12	801-12143418-9	1	LB3-250/480 Type	Synthetic Rubber	0.013
		Packing				
	13	801-14039616-9	3	M6x20	SUS304	0.001
		Hex.Bolt (w/Plain Washer)				
	14	801-05128219-9	1		ADC	0.79
		Head Cover				
	15	801-12154614-9	1	d120xd142x6.2t	NBR	0.02
		Packing				
	16		1			
		Capacitor				
	17	801-14320314-9	1	M4x5	B5BM	
		Pan Screw				
	18	801-05048612-9	1		SECD	
		Motor Bracket				
	19	801-14219216-9	1	For #6201	SK-5	0.001
		Wave Washer				
	20	801-05210015-9	1	6201ZZC3		0.04
		Bearing				
	21	801-05588914-9	1	w/Bearing		
		Rotor				
	22	801-06117812-9	1	d15.1xd20x1.6t	SS	
		Bearing Collar				
	23	801-05210116-9	1	6202ZZC3		0.045
		Bearing				

24	Stator	1set			
25	801-06450814-9 Motor Frame	1		ADC	1.5
26	801-12213317-9 O-Ring	1	G-110	NBR	0.001
27	801-02529110-9 Mechanical Seal	1	W-14VL Type	SIC+CCBN	0.05
28	801-03015911-9 Oil Lifter	1	W-14VL Type	Resin	0.009
29	801-02940319-9 Oil Casing	1	LB-250/480-51/61 Type	ADC	1
30	801-14025219-9 Hex. Socket Cap Bolt	3	M6x20	SUS304	0.001
31	801-03512412-9 Oil Plug	1	M10x15	SUS304	0.001
32	801-12124611-9 Packing	1	d10.3xd16x2t	PE	0.001
33	801-12244111-9 V-Ring	1	VR-14	NBR	0.001
34	801-07129214-9 Shaft Sleeve	1	LB3-250/480 Type	SUS304	0.001
35	801-03100001-9 Wear Ring	1	LB-250/480-51/61 Type	SPC+Rubber	0.155
36	801-021L8012-9 Impeller (50Hz)	1	LB-480-52(For 50Hz)	Uretane Rubber	0.145
36	801-021L7918-9 Impeller (60Hz)	1	LB-480-62(For 60Hz)	Uretane Rubber	0.001
37	801-14212710-9 Plain Washer	1	M8	SUS304	0.001
38	801-14216318-9 Spring Washer	1	M8	SUS304	0.001
39	801-14103012-9 Hex.Cap Nut	1	M8	SUS304	0.001
40	801-020B8919-9 Pump Casing	1	LB-250/480-51/61 Type	Uretane Rubber	0.25
41	801-02200011-9 Suction Cover	1	LB-250/480-51/61 Type	SPC+Rubber	
42	801-02354718-9 Strainer Stand	1	LB-250/480-51/61 Type	SPC	
43	801-14000014-9 Hex.Bolt (w/Plain Washer)	3	M8x20	SUS304	0.57
	<Packing O-Ring Set>	1set (Marked by *)			
	801-17356712-9 Packing O-Ring Set	1	LB-250/480-51/61	NBR	0.055
8	801-12158717-9 Packing (Hose Coupling)	1	172xd2.7	NBR	0.001
11	801-12245316-9 O-Ring	1	LB3-250/480 Type	Synthetic Rubber	0.25g
12	801-12143418-9 Packing	1	d120xd142x6.2t	NBR	12.5g
15	801-12154614-9 Packing	1	G-110	NBR	20g
26	801-12213317-9 O-Ring	1	d10.3xd16x2t	NBR	0.25g
32	801-12124611-9 Packing	1	Turbine Oil#32 155ml	PE	0.005g
	Lubricant				



EXPLODED VIEW

Control Number :

DREV-ILB24A-02

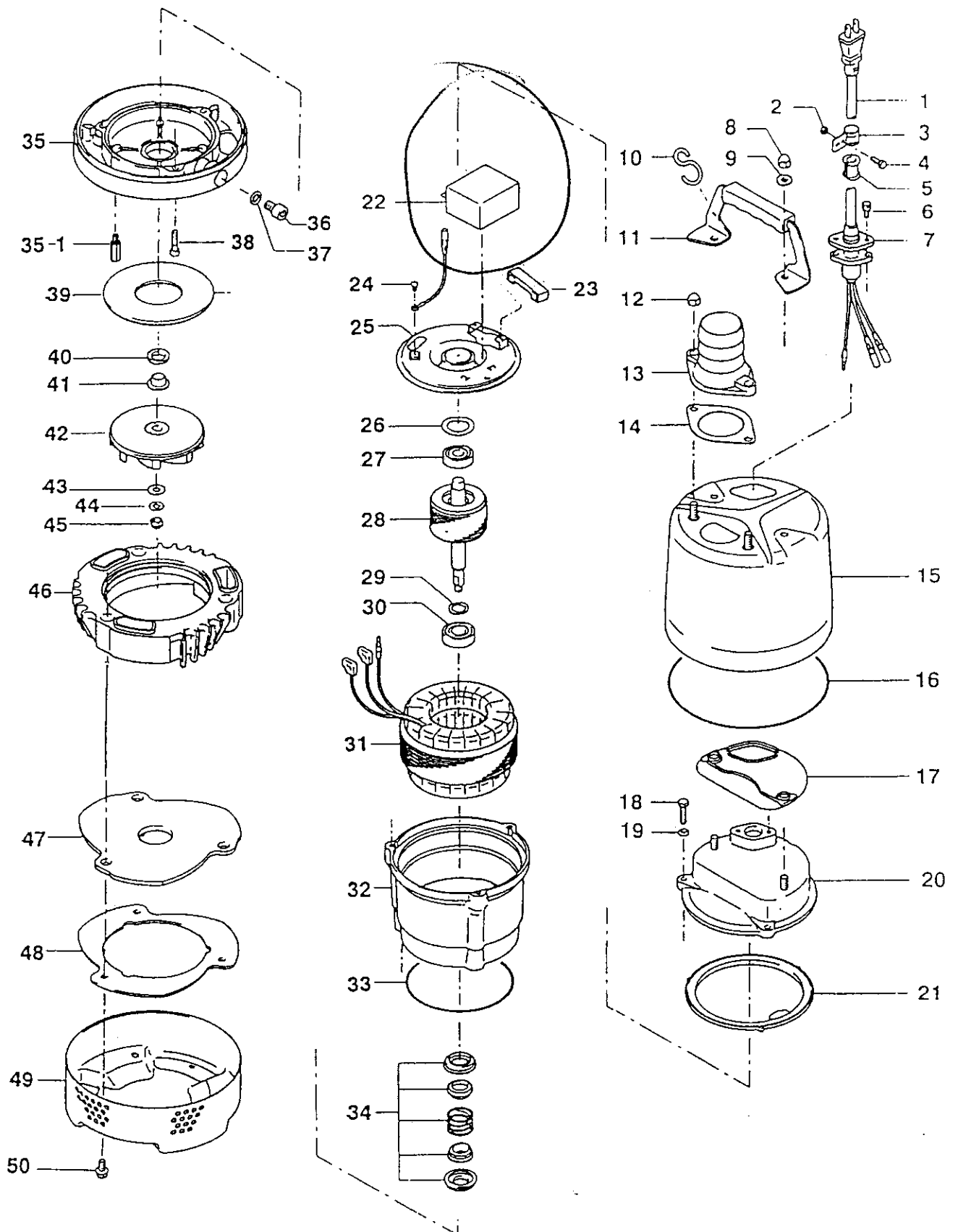
Model : LB2-400 (Motor : Kusatsu Electric)

Supersedes :

DREV-ILB24A-01

Submersible Dewatering Pump

06-15-98



PARTS PRICE LIST

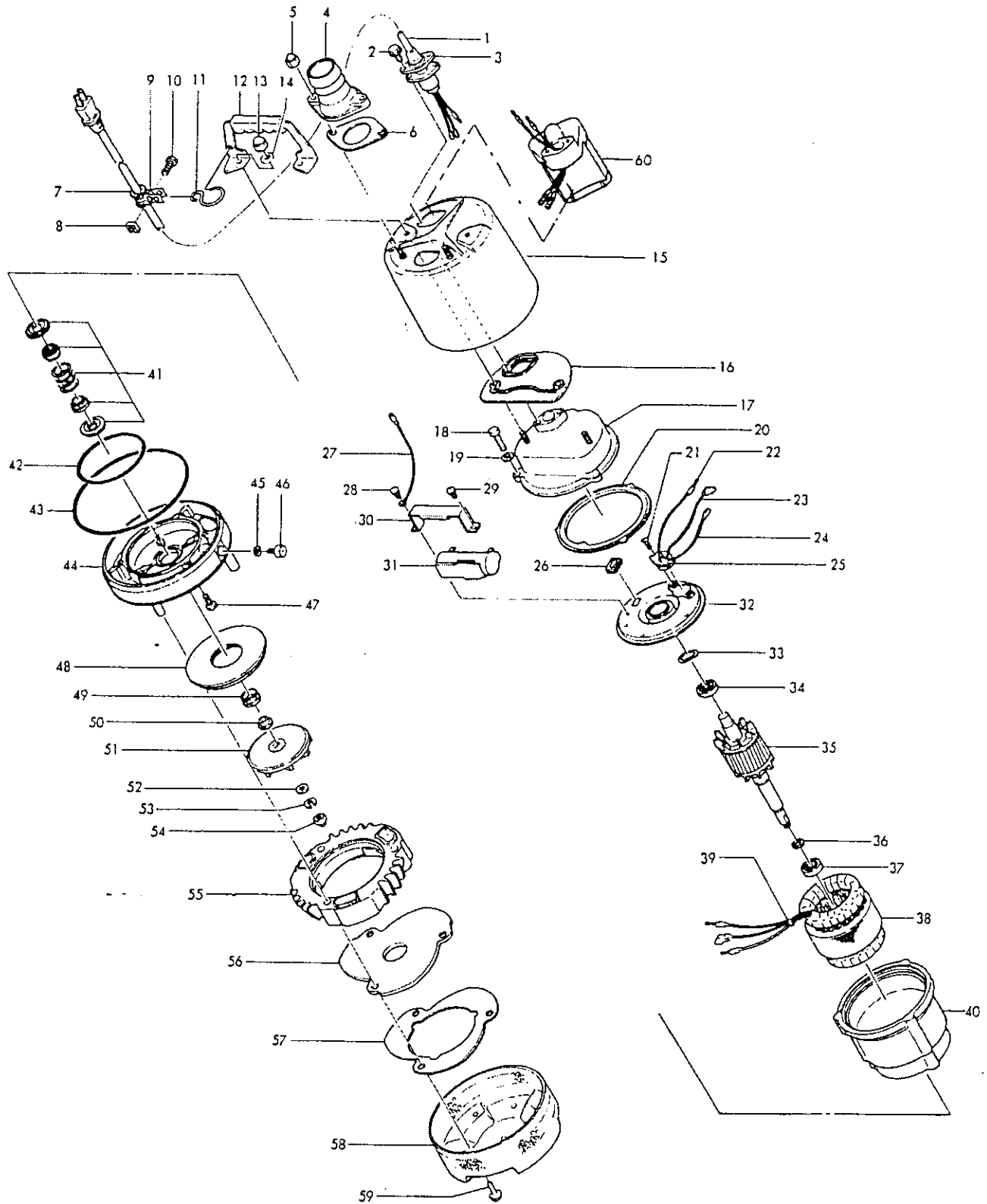
LB2-400 New

Motor manufacturer: Kusatsu

(09/15/00)

ITEM	PARTS NO.	DESCRIPTION	Q'TY	SIZE	MATERIAL	PRICE (\$)
1	001-466-14	Cab-tyre Cable	1	AWG16 x 32'	VCT	99.20
1	001-336-14	Cab-tyre Cable	1	AWG16 x 20' CSA	SOW	142.10
2	141-003-58	Hex. Nut	1	M5	SWRM	0.20
3	010-105-10	Cable Clip	1	SB	SPC	1.90
4	140-018-37	Hex. Bolt	1	M5 x 15	SWRM	0.10
5	010-126-17	Cable Clip Rubber	1	HS2	NBR	2.20
6	140-427-17	Hex. Bolt	2	M5 x 15	SUS304	0.50
7	003-100-13	Gland	1		SUS304	4.90
8	141-030-12	Hex. Cap Nut	2	M8 (B=12)	SUS304	1.80
9	142-127-10	Plain Washer	2	M8	SUS304	0.20
10	011-100-18	Shackle	1	S-8	SS	0.70
11	068-251-11	Handle	1	LB3-250/480	SPC+NBR	10.80
12	141-030-12	Hex. Cap Nut	2	M8 (B=12)	SUS304	1.80
13	032-214-11	Hose Coupling	1	LB-400 (2" NPT)	FC	35.50
14	121-138-19	Packing	1	LB(P.C.84)	NBR	* 1.50
15	065-337-13	Outer Cover	1	LB3-250/480	SPC	48.80
16	122-453-16	O-Ring	1	172 x 2.7	NBR	* 5.40
17	121-434-18	Packing	1	LB3-250/480	Rubber	* 2.90
18	140-036-15	Hex. Bolt	3	M6 x 25	SUS304	0.50
19	142-126-19	Plain Washer	3	M6	SUS304	0.20
20	051-251-19	Head Cover	1		ADC	45.90
21	121-546-14	Packing	1	120 x 142 x 6.2t	NBR	* 7.00
22	076-148-19	Capacitor	1	32MFD-270VAC		71.00
23	016-140-15	Lead Wire Prot. Bush	1		CR	1.80
24	143-073-26	Cross Pan Screw	1	M4 x 4	BSEBM	0.20
25	050-451-18	Motor Bracket	1		SECD	17.80
26	142-192-16	Wave Washer	1	#6201	SK-5	1.90
27	052-100-15	Bearing	1	6201ZZC3		5.30
28	055-773-14	Rotor and Shaft	1			142.10
29	061-178-12	Bearing Collar	1	15.1 x 20 x 1.6t	SS	5.90
30	052-101-16	Bearing	1	6202ZZC3		6.80
31	056-B09-16	Stator	1	110V		201.30
32	064-508-14	Motor Frame	1		ADC	82.90
33	122-133-17	O-Ring	1	G-110	NBR	* 2.90
34	025-291-10	Mechanical Seal	1	W-14VL	SiC	56.20
35	029-375-11	Oil Casing	1	LB3-250/480	ADC	38.50
35-1	144-560-15	Stud Bolt	3	M8 x 54	SUS304	4.40
36	035-124-12	Oil Plug	1	M10 x 15	SUS304	1.90
37	121-246-11	Packing	1	10.3 x 16 x 2t	PE-sheet	* .80
38	140-253-10	Hex. Socket Bolt	3	M6 x 25	SUS304	1.30
39	031-137-16	Wear Ring	1	LB3-250/480	Rubber	6.50
40	122-441-11	V-Ring	1	VR-14	NBR	2.70
41	071-292-14	Shaft Sleeve	1	LB3-250/480	SUS304	4.90
42	021-L79-18	Impeller	1	60Hz	Urethane	29.60
43	142-127-10	Plain Washer	1	M8	SUS304	0.20
44	142-163-18	Spring Washer	1	M8	SUS304	0.20
45	141-030-12	Hex. Cap Nut	1	M8 (B=12)	SUS304	1.80
46	020-865-16	Pump Casing	1	LB3-250/480	Rubber	20.70
47	033-133-18	Suction Plate	1	LB3-250/480	Rubber	14.80
48	022-673-11	Suction Cover	1	LB3-250/480	SPC	10.40
49	023-503-12	Strainer Stand	1	LB3-250/480	SPC	19.20
50	140-426-16	Hex. Bolt	3	M6 x 15	SUS304	1.50
	173-529-12	Packing O-Ring Set	1	(*)		15.80

- * Pricing in U.S. currency, and subject to change without notice.
- * Items with * come in Packing O-Ring Set.



PARTS PRICE LIST

LB2-400 • LB2-400A

ILB24(A)A

Control Number: PLPA-ILB24A-03

Supercedes:

PLPA-ILB24A-02

(09/15/00)

ITEM	PARTS NO.	DESCRIPTION	Q'TY	SIZE	MATERIAL	PRICE (\$)	NOTE
1	001-466-14	Cab-tyre Cable LB2-400	1	AWG16 x 32'	VCT	99.20	
1	001-876-11	Cabtyre Cable LB2-400A	1	AWG16 x 32'	VCT	115.00	
1	001-336-14	Cab-tyre Cable LB2-400	1	SOW AWG16x20'	CSA	142.10	
2	140-427-17	Hex. Bolt LB2-400	2	M5x15L	SUS304	0.50	
2	140-446-12	Hex. Bolt LB2-400A	2	M5x38L	SUS304	0.60	
3	003-100-13	Gland	1		SUS304	4.90	
4	032-214-11	Hose Coupling	1	NPT-2"	FC	35.50	
5	141-030-12	Hex. Cap Nut	2	M8	SUS304	1.80	
6	121-138-19	Packing	1		NBR	1.50	*
7	010-126-17	Clip Rubber	1		NBR	2.20	
8	141-026-15	Square Nut	1	M5	S20C	0.10	
9	010-105-10	Cable Clip	1		SPC	1.90	
10	140-018-37	Hex. Bolt	1	M5x15L	SWRM	0.10	
11	011-100-18	Shackle	1	S-8	SS	0.70	
12	068-251-11	Handle	1		SPC+NBR	10.80	
13	141-030-12	Hex. Cap Nut	2	M8	SUS304	1.80	
14	142-127-10	Plain Washer	2	M8	SUS304	0.20	
15	065-337-13	Outer Cover	1		SPC	48.80	
16	121-434-18	Packing	1			2.90	*
17	051-214-10	Motor Head Cover	1		ADC	45.90	
18	140-036-15	Hex. Bolt	3	M6x25L	SUS304	0.50	
19	142-126-19	Plain Washer	3	M6	SUS304	0.20	
20	121-439-13	Packing	1	120x142-6.2t	NBR	9.60	*
21	143-136-15	Cross Pan Screw	2	M4x10L	SWRM	0.10	
22	009-185-10	Lead Wire	1	Red		3.00	
23	009-184-19	Lead Wire	1	Blue		3.00	
24	009-186-11	Lead Wire	1	Black		3.00	
25	053-400-11	Motor Protector	1	MEA-98128	(H)110V	24.30	
25	053-413-17	Motor Protector	1	KA122-LPXL06	(T)220V	24.30	
26	016-110-16	L.Wire Prot. Bush	1	LB-400	NBR	1.50	
27	009-187-12	Earth Terminal	1	Green		3.00	
28	143-085-34	Cross Pan Screw	1	M4x6L	BSEBM	0.30	
29	143-124-10	Cross Pan Screw	1	M4x6L	SWRM	0.20	
30	127-192-19	Fixture	1	LB2	SECC	3.00	
31	076-136-14	Starting Capacitor	1	43MFD-220VAC		65.10	
32	050-400-12	Motor Bracket	1		SPC	17.80	
33	142-192-16	Wave Washer	1	#6201		1.90	
34	052-100-15	Ball Bearing	1	#6201ZZC3		5.30	
35	055-657-11	Rotor and Shaft	1			142.10	
36	061-157-15	Bearing Collar	1	15.1x21x1.6t	SPC	3.00	
37	052-101-16	Ball Bearing	1	#6202ZZC3		6.80	
38	056-685-11	Motor Stator	1		110V	189.40	
38	056-687-13	Motor Stator	1		220V	189.40	
39	181-061-16	Band	1	CV70		0.30	
40	064-466-19	Motor Frame	1		ADC	82.90	
41	025-291-10	Mechanical Seal	1	W-14VL	SIC	56.20	
42	122-133-17	O-Ring	1	G-110	NBR	2.90	*
43	122-453-16	O-Ring	1	172 x 2.7	NBR	5.40	*
44	029-375-11	Oil Casing	1		ADC	38.50	
45	121-246-11	Packing	1	10.3x16x2t	Poly.Sheet	0.80	*
46	035-124-12	Oil Plug	1	M10x15L	SUS304	1.90	
47	140-253-10	Hex. Socket Bolt	3	M6x25L	SUS304	1.30	
48	031-137-16	Liner	1		Rubber	6.50	
49	122-441-11	V-Ring	1	VR-14	NBR	2.70	
50	071-292-14	Shaft Sleeve	1		SUS304	4.90	
51	021-L79-18	Impeller	1	LB2-400 (60HZ)	Urethan	29.60	
52	142-127-10	Plain Washer	1	M8	SUS304	0.20	
53	142-163-18	Spring Washer	1	M8	SUS304	0.20	
54	141-030-12	Hex. Cap Nut	1	M8	SUS304	1.80	
55	020-865-16	Pump Casing	1		Rubber	20.70	
56	033-133-18	Suction Plate	1		Rubber	14.80	
57	022-673-24	Suction Cover	1		SPC	10.40	
58	023-503-12	Strainer Stand	1		SPC	19.20	
59	140-426-16	Hex. Bolt	3	M6x15L	SUS304	1.50	
60	114-156-11	Relay Unit	1	LB2-400A		150.40	
	173-459-10	Packing O-Ring Set	1	(*)		15.80	

* Pricing in U.S. currency and subject to change without notice.

* Items with * come in Packing O-Ring Set.



EXPLOADED VIEW

Control Number :

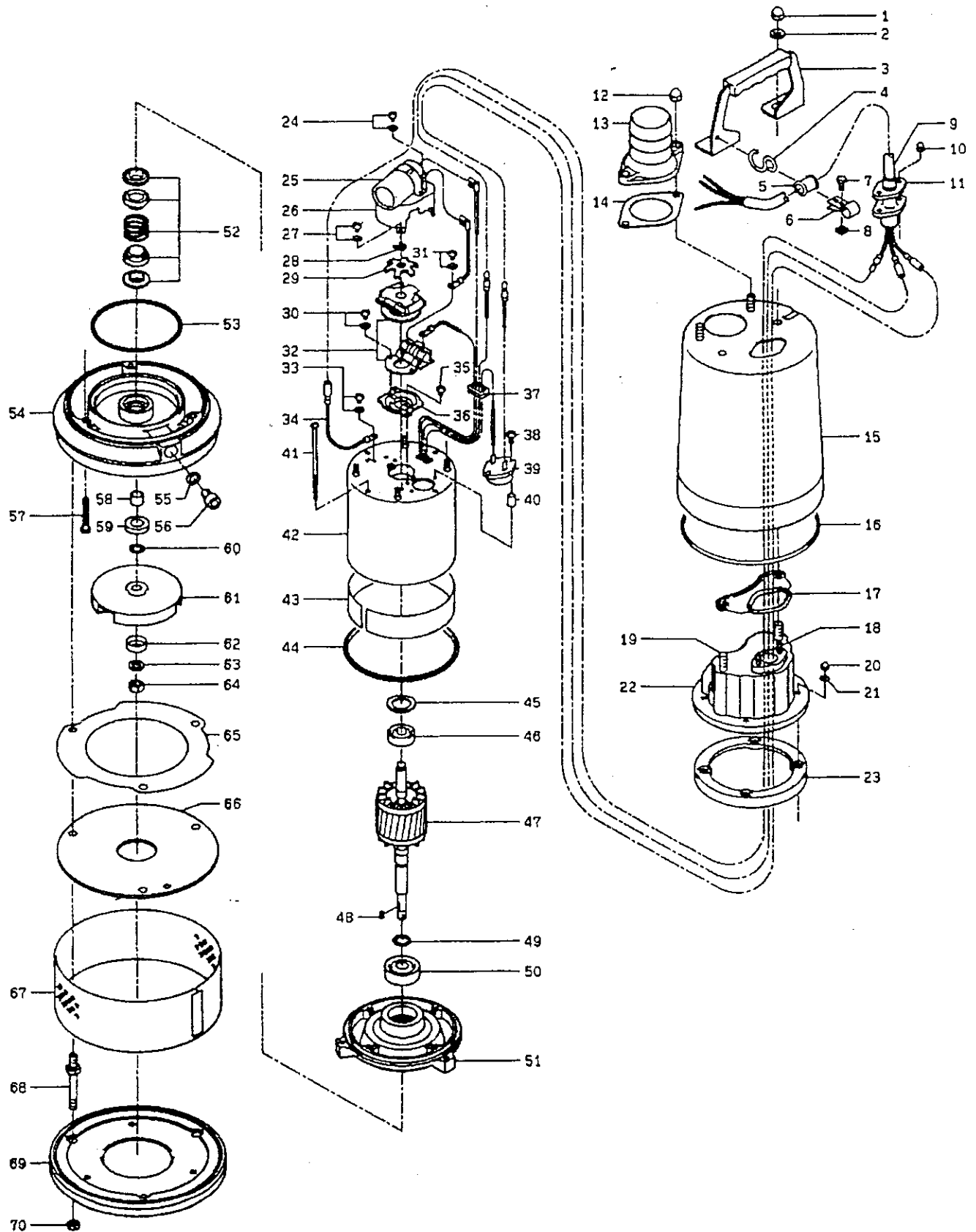
DREV-ILB28A-01

Model : LB2-750

Supersedes :

Submersible Dewatering Pump

04-01-96



TSURUMI (AMERICA), INC.

PARTS PRICE LIST

LB2-750

ILB28A

Control Number :		FLPA-ILB28A-02	Supercedes:		FLPA-ILB28A-01	(08/01/99)	
ITEM	PARTS NO.	DESCRIPTION	QTY	SIZE	MATERIAL	PRICE (\$)	NOTE
1	141-030-38	Hex. Cap Nut	2	M8 (B=12)	SUS403	1.80	
2	142-127-23	Plain Washer	2	M8	SPC	0.20	
3	068-239-26	Handle	1		SPC+NBR	11.80	
4	011-100-18	Shackle	1	S-8	SS	0.70	
5	010-126-17	Clip Rubber	1		NBR	2.20	
5	010-141-18	Spacer	1	18 x 44 x 1T	NBR	0.60	
6	010-105-10	Cable Clip	1		SPC	1.90	
7	140-018-37	Hex. Bolt	1	M5x15L	SWRM	0.10	
8	141-026-15	Square Nut	1	M5	S20C	0.10	
9	001-471-12	Cab-tyre Cable	1	AWG14 x32'	VCT	113.10	
9	001-488-12	Cab-tyre Cable	1	SOW AWG14x20'	CSA	142.10	
10	141-028-33	Hex. Cap Nut	2	M5	SUS304	0.20	
11	003-100-13	Gland	1		SUS304	4.90	
12	141-030-12	Hex. Cap Nut	2	M8 (B=12)	SUS304	1.80	
13	032-214-11	Hose Coupling	1	NPT-2"	FC	35.50	
14	121-138-19	Packing	1	P.C.84	NBR	1.50	*
15	065-233-18	Outer Cover	1			48.80	
16	122-274-11	O-Ring	1	159.5X2.5	NBR	5.50	*
17	121-178-11	Packing	1		NBR	6.70	*
18	144-469-13	Stud Bolt	2	M5x22L	SUS304	1.50	
19	144-308-26	Stud Bolt	2	M8x25L	SUS304	1.90	
20	141-028-17	Hex. Cap Nut	4	M5	SUS304	0.20	
21	142-125-18	Plain Washer	4	M5	SUS304	0.20	
22	051-133-14	Motor Head Cover	1		ADC	45.90	
23	121-249-14	Packing	1		NBR	16.40	*
24	143-124-10	Cross Pan Screw	1	M4x6L	SWRM	0.20	
25	076-138-16	Starting Capacitor	1	170MFD-125VAC		22.20	
26	078-102-17	Switch Cover	1		SPC	3.70	
27	143-124-10	Cross Pan Screw	2	M4x6L	SWRM	0.20	
28	145-002-17	Pin	1	10	SUS304	0.70	
29	142-207-15	Finger Spring	1	10.5	SK-5	1.00	
30	143-124-10	Cross Pan Screw	2	M4x6L	SWRM	0.20	
31	143-076-29	Cross Pan Screw	2	M3x6L	SWRM	0.20	
32	077-109-11	Centrifugal Switch	1	MS3-2		27.40	
33	143-085-34	Cross Pan Screw	1	M4x6L	SWRM	0.30	
34	009-193-11	Earth Wire	1	2x175L		3.00	
35	143-124-10	Cross Pan Screw	2	M4x6L	SWRM	0.20	
36	062-185-15	Bearing Cover	1		SECC	2.60	
37	016-110-16	L.Wire Prot. Bush	1	LB-400	NBR	1.50	
38	143-114-17	Cross Pan Screw	2	M4x16L	SWRM	0.10	
39	053-389-13	Motor Protector	1	MEA-98121	(H)110V	24.30	
39	053-392-19	Motor Protector	1	MEA-98124	(H)220V	24.30	
40	071-174-19	Spacer	2	6x6Lx0.5	SPC	0.40	
41	143-119-12	Cross Pan Screw	4	M5x127L	SWRM	2.20	
42	056-614-19	Motor Stator	1		110V	828.80	
42	056-616-11	Motor Stator	1		220V	828.80	
43	071-206-11	Collar	1	29 L	SECC	3.40	
44	121-244-19	Packing	1		NBR	13.30	*
45	142-192-16	Wave Washer	1	#6201	SK-5	1.90	
46	052-100-15	Ball Bearing	1	#6201ZZC3		5.30	
47	055-619-11	Rotor and Shaft	1			310.80	
48	147-016-10	Impeller Key	1	4x4x10L	SUS403	4.40	
49	061-157-15	Bearing Collar	1	15.1x21x1.6t	SPC	3.00	
50	052-152-12	Ball Bearing	1	#6302ZZC3		8.00	
51	060-372-15	Bearing Housing	1		FC15	177.60	
52	025-290-19	Mechanical Seal	1	W-14HL	SIC	51.10	
53	122-131-15	O-Ring	1	G-100(3.1)	NBR	2.10	*
54	020-802-15	Pump Casing	1		FC20	103.60	
55	121-246-11	Packing	1	10.3x16x2t	Poly.Sheet	0.80	*
56	035-124-12	Oil Plug	1	M10x15L	SUS304	1.90	
57	140-259-16	Socket Head Bolt	3	M6x50L	SUS304	2.10	
58	071-112-19	Shaft Sleeve	1	11x14.8x11L	SUS304	4.90	
59	026-100-14	Oil Seal	1	SC-15287	NBR	2.10	
60	040-100-18	Impeller Shim	1	11.2x17x0.3t	SUS304	0.20	
61	021-E16-11	Impeller	1	60HZ	FCD	45.90	
62	047-108-20	Impeller Prot. Cover	1	No.1 (10.5)	SUS304	1.80	
63	142-164-19	Spring Washer	1	M10	SUS304	0.30	
9	001-471-25	Cable	1	AWG14x50'	VCT	147.50	

PARTS PRICE LIST

LB2-750

ILB28A

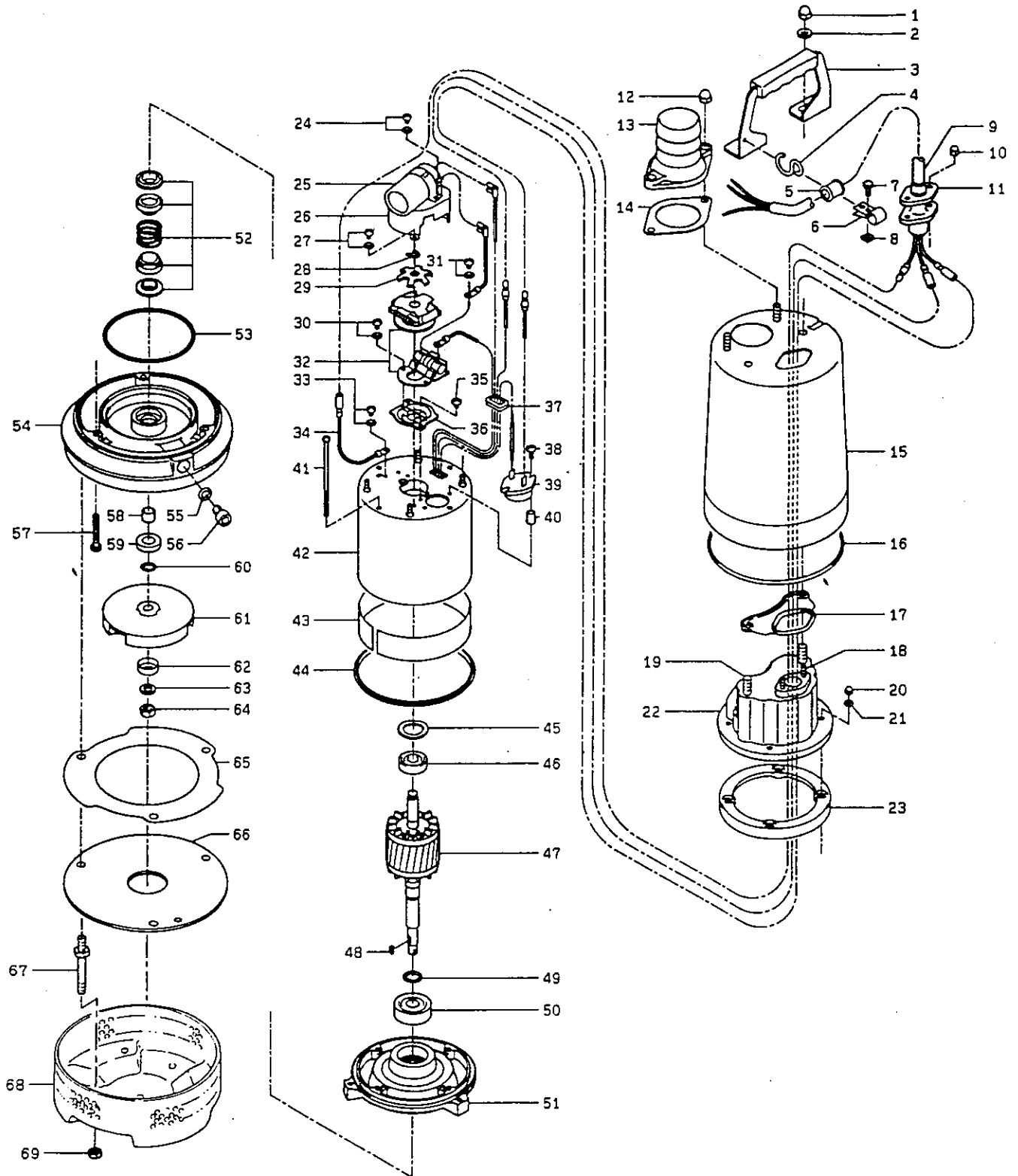
Control Number :		PLPA-ILB28A-02		Supercedes:		PLPA-ILB28A-01		(08/01/99)	
ITEM	PARTS NO.	DESCRIPTION	Q'TY	SIZE	MATERIAL	PRICE (\$)	NOTE		
64	141-006-77	Hex. Nut	1	M10	S45C	0.20			
65	120-158-12	Packing	1	P.C.168x0.6t	Paper Sheet	2.95	*		
66	022-663-18	Suction Cover	1		SUS304	29.60			
67	023-410-11	Strainer	1		SPC	23.10			
68	144-104-17	Stud Bolt	3	M8x78L	SUS403	1.90			
69	049-169-12	Bottom Plate	1		SPC	38.50			
70	141-005-34	Hex. Nut	3	M8	S35C	0.20			
	173-455-16	Packing O-Ring Set	1	(*)		38.60			

• Pricing in U.S. currency and subject to change without notice.

• Items with * come in Packing O-Ring Set.

EXPLODED VIEW

LB3-750



PARTS PRICE LIST

LB3-750

ILB28A

(05/01/00)

ITEM	PARTS NO.	DESCRIPTION	Q'TY	SIZE	MATERIAL	PRICE (\$)	NOTE
1	141-030-12	Hex. Cap Nut	2	M8 (B=12)	SUS403	1.80	
2	142-127-10	Plain Washer	2	M8	SPC	0.20	
3	068-239-26	Handle	1		SPC+NBR	11.80	
4	011-100-18	Shackle	1	S-8	SS	0.70	
5	010-126-17	Clip Rubber	1		NBR	2.20	
5	010-141-18	Spacer	1	18 x 44 x 1T	NBR	0.60	
6	010-105-10	Cable Clip	1		SPC	1.90	
7	140-018-37	Hex. Bolt	1	M5x15L	SWRM	0.10	
8	141-026-15	Square Nut	1	M5	S20C	0.10	
9	001-471-12	Cab-tyre Cable	1	AWG14 x32'	VCT	113.10	
9	001-488-12	Cab-tyre Cable	1	SOW AWG14x20'	CSA	142.10	
10	141-028-33	Hex. Cap Nut	2	M5	SUS304	0.20	
11	003-100-13	Gland	1		SUS304	4.90	
12	141-030-12	Hex. Cap Nut	2	M8 (B=12)	SUS304	1.80	
13	032-214-11	Hose Coupling	1	NPT-2"	FC	35.50	
14	121-138-19	Packing	1	P.C.84	NBR	1.50	*
15	065-233-18	Outer Cover	1			48.80	
16	122-274-11	O-Ring	1	159.5X2.5	NBR	5.50	*
17	121-178-11	Packing	1		NBR	6.70	*
18	144-469-13	Stud Bolt	2	M5x22L	SUS304	1.50	
19	144-308-26	Stud Bolt	2	M8x25L	SUS304	1.90	
20	141-028-17	Hex. Cap Nut	4	M5	SUS304	0.20	
21	142-125-18	Plain Washer	4	M5	SUS304	0.20	
22	051-133-14	Motor Head Cover	1		ADC	45.90	
23	121-249-14	Packing	1		NBR	16.40	*
24	143-124-10	Cross Pan Screw	1	M4x6L	SWRM	0.20	
25	076-138-16	Starting Capacitor	1	170MFD-125VAC		22.20	
26	078-102-17	Switch Cover	1		SPC	3.70	
27	143-124-10	Cross Pan Screw	2	M4x6L	SWRM	0.20	
28	145-002-17	Pin	1	10	SUS304	0.70	
29	142-207-15	Finger Spring	1	10.5	SK-5	1.00	
30	143-124-10	Cross Pan Screw	2	M4x6L	SWRM	0.20	
31	143-076-29	Cross Pan Screw	2	M3x6L	SWRM	0.20	
32	077-109-11	Centrifugal Switch	1	MS3-2		27.40	
33	143-085-34	Cross Pan Screw	1	M4x6L	SWRM	0.30	
34	009-193-11	Earth Wire	1	2x175L		3.00	
35	143-124-10	Cross Pan Screw	2	M4x6L	SWRM	0.20	
36	062-185-15	Bearing Cover	1		SECC	2.60	
37	016-110-16	L.Wire Prot. Bush	1	LB-400	NBR	1.50	
38	143-114-17	Cross Pan Screw	2	M4x16L	SWRM	0.10	
39	053-389-13	Motor Protector	1	MEA-98121	(H)110V	24.30	
39	053-392-19	Motor Protector	1	MEA-98124	(H)220V	24.30	
40	071-174-19	Spacer	2	6x6Lx0.5	SPC	0.40	
41	143-119-12	Cross Pan Screw	4	M5x127L	SWRM	2.20	
42	056-614-19	Motor Stator	1		110V	828.80	
42	056-616-11	Motor Stator	1		220V	828.80	
43	071-206-11	Collar	1	29 L	SECC	3.40	
44	121-244-19	Packing	1		NBR	13.30	*
45	142-192-16	Wave Washer	1	#6201	SK-5	1.90	
46	052-100-15	Ball Bearing	1	#6201ZZC3		5.30	
47	055-619-11	Rotor and Shaft	1			310.80	
48	147-016-10	Impeller Key	1	4x4x10L	SUS403	4.40	
49	061-157-15	Bearing Collar	1	15.1x21x1.6t	SPC	3.00	
50	052-152-12	Ball Bearing	1	#6302ZZC3		8.00	
51	060-372-15	Bearing Housing	1		FC15	177.60	
52	025-290-19	Mechanical Seal	1	W-14HL	SIC	51.10	
53	122-131-15	O-Ring	1	G-100(3.1)	NBR	2.10	*
54	020-B48-16	Pump Casing	1	LB3-750	FC20	113.30	
55	121-246-11	Packing	1	10.3x16x2t	Poly.Sheet	0.80	*
56	035-124-12	Oil Plug	1	M10x15L	SUS304	1.90	
57	140-259-16	Socket Head Bolt	3	M6x50L	SUS304	2.10	
58	071-112-19	Shaft Sleeve	1	11x14.8x11L	SUS304	4.90	
59	026-100-14	Oil Seal	1	SC-15287	NBR	2.10	
60	040-100-18	Impeller Shim	1	11.2x17x0.3t	SUS304	0.20	
61	021-E16-11	Impeller	1	60HZ	FCD	45.90	
62	047-108-20	Impeller Prot. Cover	1	No.1 (10.5)	SUS304	1.80	
63	142-164-19	Spring Washer	1	M10	SUS304	0.30	

001-471-25 Cable 50'

PARTS PRICE LIST

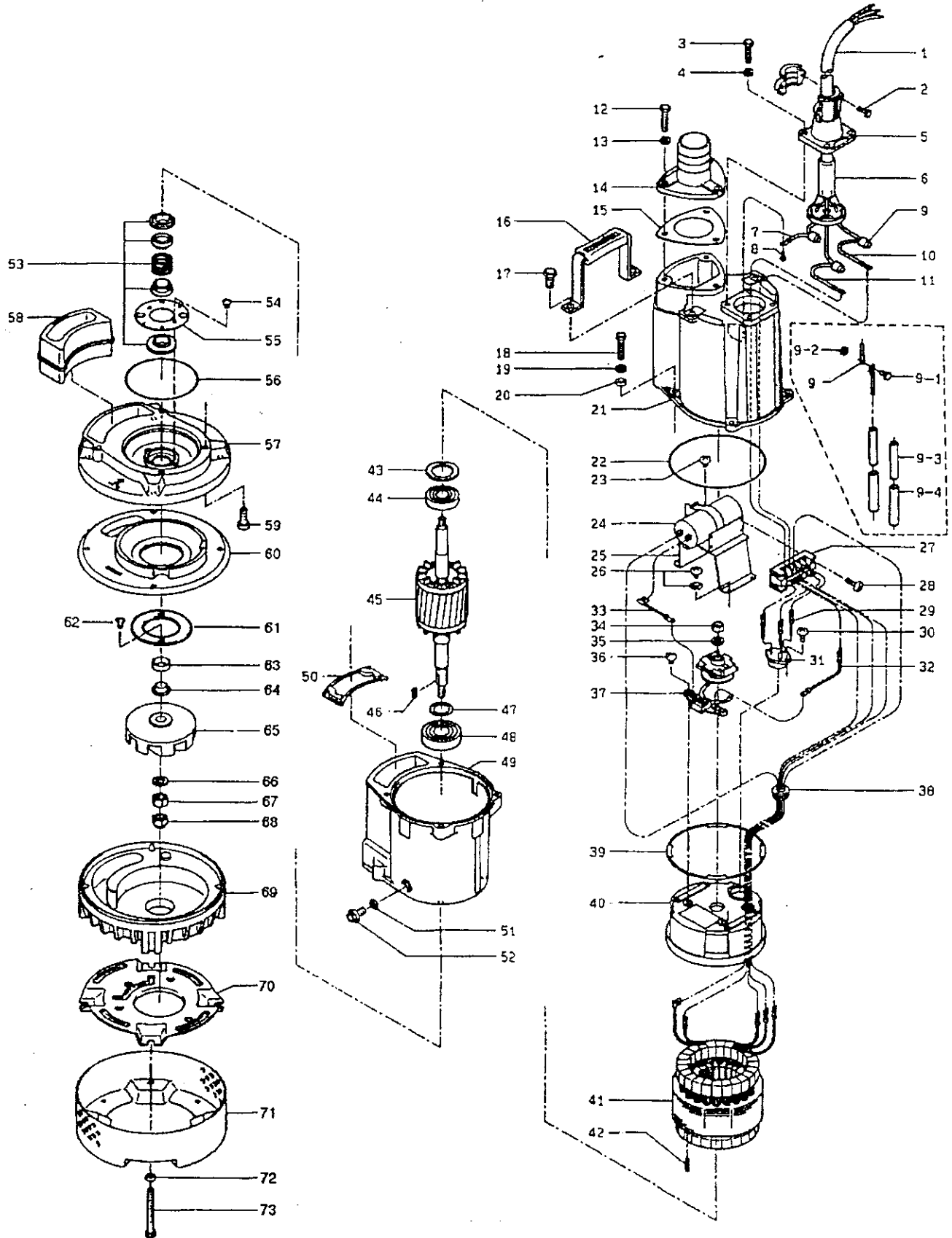
LB3-750

ILB28A

(05/01/00)

ITEM	PARTS NO.	DESCRIPTION	Q'TY	SIZE	MATERIAL	PRICE (\$)	NOTE
64	141-006-77	Hex. Nut	1	M10	S45C	0.20	
65	120-174-14	Packing	1		Paper Sheet	7.40	*
66	022-838-16	Suction Cover	1		SUS304	34.00	
67	144-569-14	Stud Bolt	3	M8x65L	SUS304	4.40	
68	023-503-12	Strainer Stand	1		SPC	19.20	
69	141-005-34	Hex. Nut	3	M8	S35C	0.20	
	173-566-11	Packing O-Ring Set	1	(*)		44.40	

- Pricing in U.S. currency and subject to change without notice.
- Items with * come in Packing O-Ring Set.



PARTS PRICE LIST

NK2-15

INK215A

Control Number :		PLPA-INK215A-02		Supercades:		PLPA-INK215A-01		(11/01/99)	
ITEM	PARTS NO.	DESCRIPTION	Q'TY	SIZE	MATERIAL	PRICE (\$)	NOTE		
1	001-500-11	Cab-tyre Cable	1	AWG12 x 32'	2PNCT.F	358.20			
2	140-033-12	Hex. Bolt	2	M6x16L	SUS304	0.30			
3	140-055-10	Hex. Bolt	4	M8x25L	SUS304	0.80			
4	142-210-11	Plain Washer	4	8.6x13.4x1t	SUS304	0.60			
5	003-122-24	Stuffing Box	1	No.1-1	ADC	21.50			
6	008-120-14	Rubber Boot	1	No.1-5	CR	8.10			
7	009-194-12	Lead Wire	1	AWG14 x 360L		3.00			
8	143-085-34	Cross Pan Screw	1	M4x6L	BSEB	0.30			
9	009-143-16	Terminal	6	R-3.5-5S	CU	0.60			
9-1	143-070-10	Cross Pan Screw	3	M5 x 6	SWRM	0.10			
9-2	141-003-58	Hex. Nut	3	M5	SWRM	0.20			
9-3	002-128-14	Heat Shrink Tube	1	NST-159	\$/3.2ft	11.80			
9-4	002-164-12	Heat Shrink Tube	1	NST-120	\$/3.2ft	11.80			
10	009-197-15	Lead Wire	1			3.00			
11	009-196-14	Lead Wire	1			3.00			
12	140-056-11	Hex. Bolt	3	M8x30L	SUS304	0.90			
13	142-127-23	Plain Washer	3	M8	SPC	0.20			
14	032-355-15	Hose Coupling	1	NPT-3"	FC	68.10			
15	121-441-18	Packing	1		NBR	5.35*			
16	068-232-16	Handle	1		SPC	29.60			
17	140-074-15	Hex. Bolt	2	M10x20L	SUS304	1.50			
18	140-056-11	Hex. Bolt	4	M8x30L	SUS304	0.90			
19	142-163-18	Spring Washer	4	M8	SUS304	0.20			
20	142-127-10	Plain Washer	4	M8	SUS304	0.20			
21	051-225-14	Motor Head Cover	1		ADC	580.20			
22	122-445-15	O-Ring	1	152x3.1	NBR	5.35*			
23	143-085-34	Cross Pan Screw	1	M4x6L	BSEB	0.30			
24	076-141-12	Starting Capacitor	1	750MFD-125VAC		124.30			
25	078-115-13	Switch Cover	1		SPC	105.10			
26	143-085-34	Cross Pan Screw	1	M4x6L	BSEB	0.30			
27	006-171-14	Terminal Box	1	K-020		35.50			
28	143-019-11	Cross Pan Screw	2	M4x16L	SWRM	0.10			
29	009-201-13	Lead Wire	3			3.00			
30	143-136-15	Cross Pan Screw	2	M4x10L	SWRM	0.10			
31	053-219-11	Motor Protector	1	KA143-CCZL402	(H.C)	108.50			
32	009-200-12	Lead Wire	1	AWG14 x 200L		3.00			
33	009-199-20	Lead Wire	1			3.00			
34	141-119-16	Hex. Nut	1	M10 (U-Nut)	SS	0.30			
35	142-128-24	Plain Washer	1	M10	SPC	0.20			
36	143-015-17	Cross Pan Screw	2	M4x10L	SWRM	0.10			
37	077-115-10	Centrifugal Switch	1	GS-114		66.60			
38	016-132-14	L.Wire Prot. Bush	1		NBR	5.90			
39	121-474-10	Packing	1		NBR	10.70*			
40	050-416-11	Motor Bracket	1		FC	239.80			
41	056-708-11	Motor Stator	1			941.30			
42	145-031-15	Pin	1	4x25L	SCM	5.90			
43	142-195-19	Wave Washer	1	#6204	SK-5	2.20			
44	052-103-18	Ball Bearing	1	#6204ZZC3		8.90			
45	055-695-11	Motor Rotor	1			408.50			
46	147-128-16	Impeller Key	1	5x5x18.5L	SUS	7.40			
47	061-161-12	Bearing Collar	1	25.1x36x1.6t	SPC	1.60			
48	052-108-13	Ball Bearing	1	#6305ZZC3		14.50			
49	064-467-10	Motor Frame	1		ADC	364.10			
50	121-445-12	Packing	1		NBR	6.60			
51	121-246-11	Packing	1	10.3x16x2t	Poly.Sheet	0.80*			
52	035-125-13	Oil Plug	1	M10x20L	SUS304	3.00			
53	025-192-10	Mechanical Seal	1	H-20	SIC	211.60			
54	143-070-10	Cross Pan Screw	2	M5x6L	SWRM	0.10			
55	030-122-15	Retainer	1		SPC	3.80			
56	122-134-18	O-Ring	1	G-115	NBR	2.90*			
57	029-347-14	Oil Casing	1		ADC	100.60			
58	121-440-17	Packing	1			27.20*			
59	140-270-13	Hex. Socket Bolt	4	M8x30L	SUS304	1.90			
60	031-138-20	Liner	1			44.40			
61	058-182-19	Protection Plate	1		SUS304	8.90			
62	143-014-16	Cross Tapping Screw	2	M4x8L	SWRM	0.10			
63	122-443-13	V-Ring	1	VR-20	NBR	8.90			
64	071-297-19	Shaft Sleeve	1		SUS304	17.80			
65	021-F73-17	Impeller	1	60HZ	FCD	68.10			
66	142-129-25	Plain Washer	1	M12	SPC	0.20			
67	141-007-10	Hex. Nut	1	M12	SUS304	1.30			
68	141-032-14	Hex. Cap Nut	1	M12	SUS304	3.30			
69	020-B19-18	Pump Casing	1			56.20			
70	127-249-12	Retainer	1		SPCC	17.80			
71	023-432-19	Strainer	1		SPCC	37.00			
72	142-127-10	Plain Washer	4	M8	SPC	0.20			
73	140-067-15	Hex. Bolt	4	M8x85L	SUS304	4.60			

PARTS PRICE LIST

NK2-15

INK215A

Control Number : PLPA-INK215A-02

Supersedes:

PLPA-INK215A-01

(11/01/99)

ITEM	PARTS NO.	DESCRIPTION	Q'TY	SIZE	MATERIAL	PRICE (\$)	NOTE
	173-502-19	Packing O-Ring Set	1	(*)		59.20	

- Pricing in U.S. funds and subject to change without notice.
- Items with * come in Packing O-Ring Set.



EXPLOADED VIEW

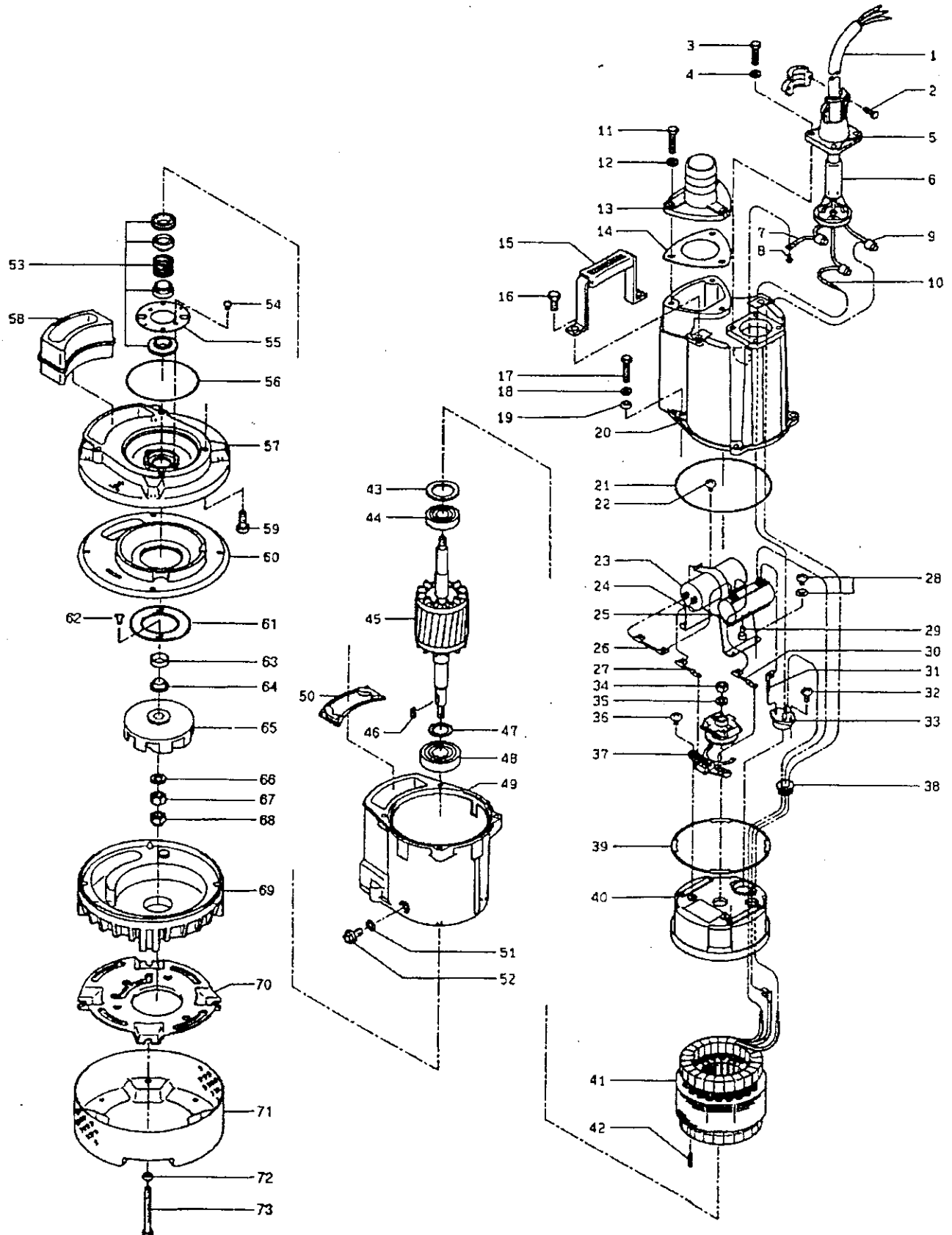
Control Number :
DREV-INK222A-01

Model : NK2-22

Supersedes :

Submersible Dewatering Pump

04-01-96



TSURUMI (AMERICA), INC.

PARTS PRICE LIST

NK2-22

INK222A

Control Number : PLPA-INK222A-02 Supercedes: PLPA-INK222A-01 (11/01/99)

ITEM	PARTS NO.	DESCRIPTION	Q'TY	SIZE	MATERIAL	PRICE (\$)	NOTE
1	001-499-16	Cab-tyre Cable	1	AWG14 x 32'	2PNCT.F	296.00	
2	140-033-12	Hex. Bolt	2	M5x16L	SUS304	0.30	
3	140-055-10	Hex. Bolt	4	M8x25L	SUS304	0.80	
4	142-210-11	Plain Washer	4	8.6x13.4x1t	SUS304	0.60	
5	003-122-24	Stuffing Box	1	No.1-1	ADC	21.50	
6	008-133-10	Rubber Boot	1	No.1-9	CR	8.10	
7	009-195-13	Lead Wire	1			3.00	
8	143-085-34	Cross Pan Screw	1	M4x6L	BSEBM	0.30	
9	009-146-19	Terminal	3			0.70	
10	009-202-14	Lead Wire	1			3.00	
11	140-056-11	Hex. Bolt	3	M8x30L	SUS304	0.90	
12	142-127-23	Plain Washer	3	M8	SPC	0.20	
13	032-355-15	Hose Coupling	1	NPT-3"	FC	68.10	
14	121-441-18	Packing	1		NBR	5.35	*
15	068-232-16	Handle	1	KTV2-15/22	SPC	29.60	
16	140-074-15	Hex. Bolt	2	M10x20L	SUS304	1.50	
17	140-056-11	Hex. Bolt	4	M8x30L	SUS304	0.90	
18	142-163-18	Spring Washer	4	M8	SUS304	0.20	
19	142-127-10	Plain Washer	4	M8	SUS304	0.20	
20	051-225-14	Motor Head Cover	1		ADC	580.20	
21	122-445-15	O-Ring	1	152x3.1	NBR	5.35	*
22	143-085-34	Cross Pan Screw	1	M4x6L	BSEBM	0.30	
23	076-142-13	Starting Capacitor	1	200MFD-250VAC		124.30	
24	078-116-14	Switch Cover	1		SPC	105.10	
25	076-143-14	Starting Capacitor	1	30MFD-400VAC		152.70	
26	009-199-17	Lead Wire	1			3.00	
27	009-199-20	Lead Wire	1			3.00	
28	143-085-34	Cross Pan Screw	1	M4x6L	BSEBM	0.30	
29	143-136-15	Cross Pan Screw	2	M4x10L	SWRM	0.10	
30	009-199-20	Lead Wire	1			3.00	
31	009-199-33	Lead Wire	1			3.00	
32	143-136-15	Cross Pan Screw	2	M4x10L	SWRM	0.10	
33	053-219-11	Motor Protector	1	KA143-CCZL402	(H.C)220V	108.50	
34	141-119-16	Hex. Nut	1	M10	SS	0.30	
35	142-128-24	Plain Washer	1	M10	SPC	0.20	
36	143-015-17	Cross Pan Screw	2	M4x10L	SWRM	0.20	
37	077-115-10	Centrifugal Switch	1	GS-114		66.60	
38	016-132-14	L.Wire Prot. Bush	1		NBR	5.90	
39	121-474-10	Packing	1		NBR	10.70	*
40	050-416-11	Motor Bracket	1		FC	239.80	
41	056-711-17	Motor Stator	1	220V		862.80	
42	145-031-15	Pin	1	4x25L	SCM	5.90	
43	142-195-19	Wave Washer	1	#6204	SK-5	2.20	
44	052-103-18	Ball Bearing	1	#6204ZZC3		8.90	
45	055-695-11	Motor Rotor	1			408.50	
46	147-128-16	Impeller Key	1	5x5x18.5L	SUS	7.40	
47	061-161-12	Bearing Collar	1	25.1x36x1.6t	SPC	1.60	
48	052-108-13	Ball Bearing	1	#6305ZZC3		14.50	
49	064-467-10	Motor Frame	1		ADC	364.10	
50	121-445-12	Packing	1		NBR	6.60	*
51	121-246-11	Packing	1	10.3x16x2t	Poly.Sheet	0.80	*
52	035-125-13	Oil Plug	1	M10x20L	SUS304	3.00	
53	025-192-10	Mechanical Seal	1	H-20	SIC	211.60	
54	143-070-10	Cross Pan Screw	2	M5x6L	SWRM	0.20	
55	030-122-15	Retainer	1		SPC	3.80	
56	122-134-18	O-Ring	1	G-115	NBR	2.90	*
57	029-347-14	Oil Casing	1	KTV2-15/22	ADC	100.60	
58	121-440-17	Packing	1			27.20	*
59	140-270-13	Hex. Socket Bolt	4	M8x30L	SUS304	1.90	
60	031-138-20	Liner	1			44.40	
61	058-182-19	Protection Plate	1		SUS304	8.90	
62	143-014-16	Cross Tapping Screw	2	M4x8L	SWRM	0.10	
63	122-443-13	V-Ring	1	VR-20	NBR	8.90	
64	071-297-19	Shaft Sleeve	1		SUS304	17.80	
65	021-F75-19	Impeller	1	60HZ	FCD	82.90	
66	142-129-25	Plain Washer	1	M12	SPC	0.20	
67	141-007-10	Hex. Nut	1	M12	SUS304	1.30	
68	141-032-14	Hex. Cap Nut	1	M12	SUS304	3.30	
69	020-B19-18	Pump Casing	1			56.20	
70	127-249-12	Retainer	1		SPCC	17.80	

PARTS PRICE LIST

NK2-22

INK222A

Control Number : PLPA-INK222A-02

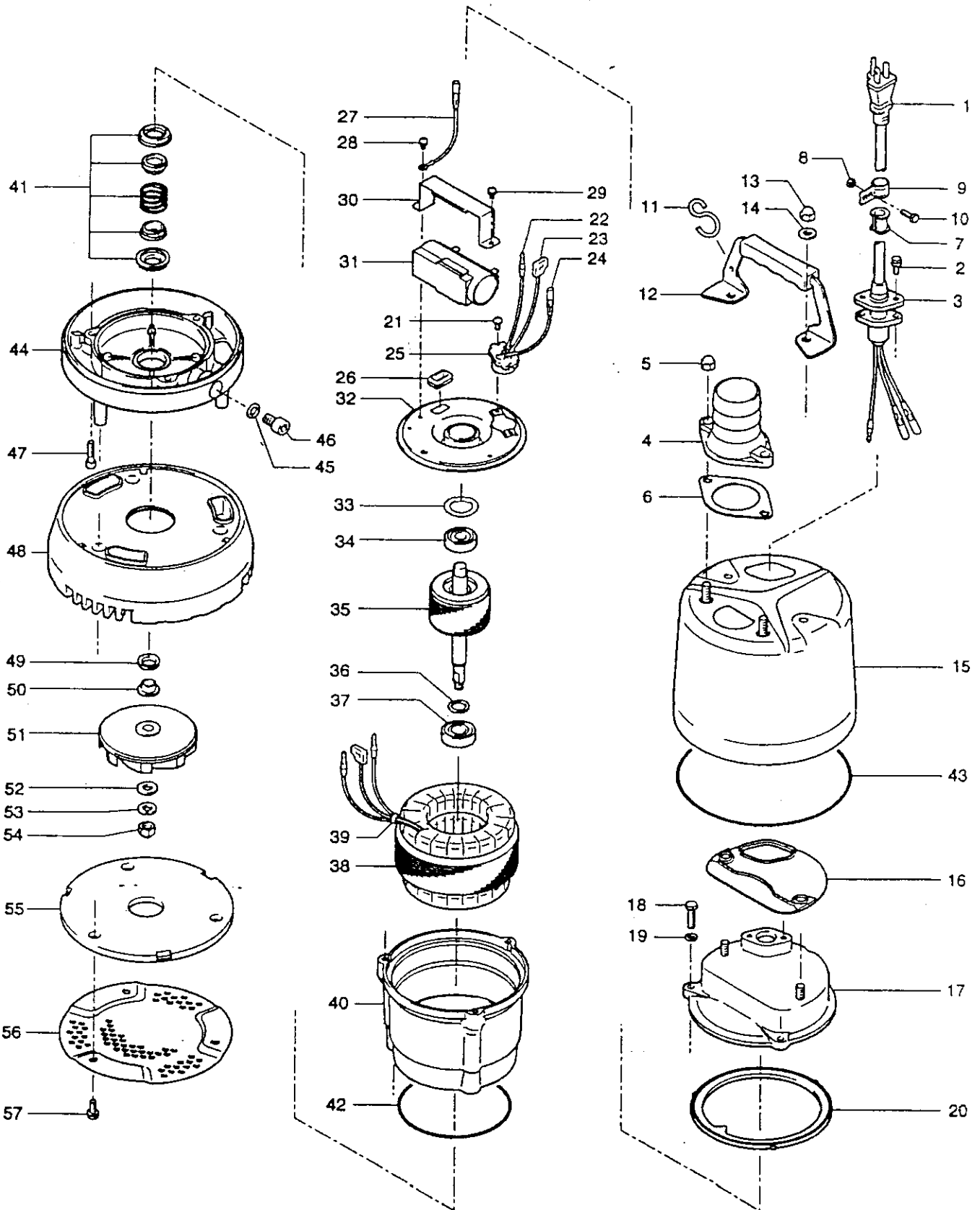
Supercedes:

PLPA-INK222A-01

(11/01/99)

ITEM	PARTS NO.	DESCRIPTION	Q'TY	SIZE	MATERIAL	PRICE (\$)	NOTE
71	023-432-19	Strainer	1		SPCC	37.00	
72	142-127-10	Plain Washer	4	M8	SPC	0.20	
73	140-067-15	Hex. Bolt	4	M8x85L	SUS304	4.60	
	173-502-19	Packing O-Ring Set	1	(*)		59.20	

- Pricing in U.S. funds and subject to change without notice.
- Items with * come in Packing O-Ring Set.



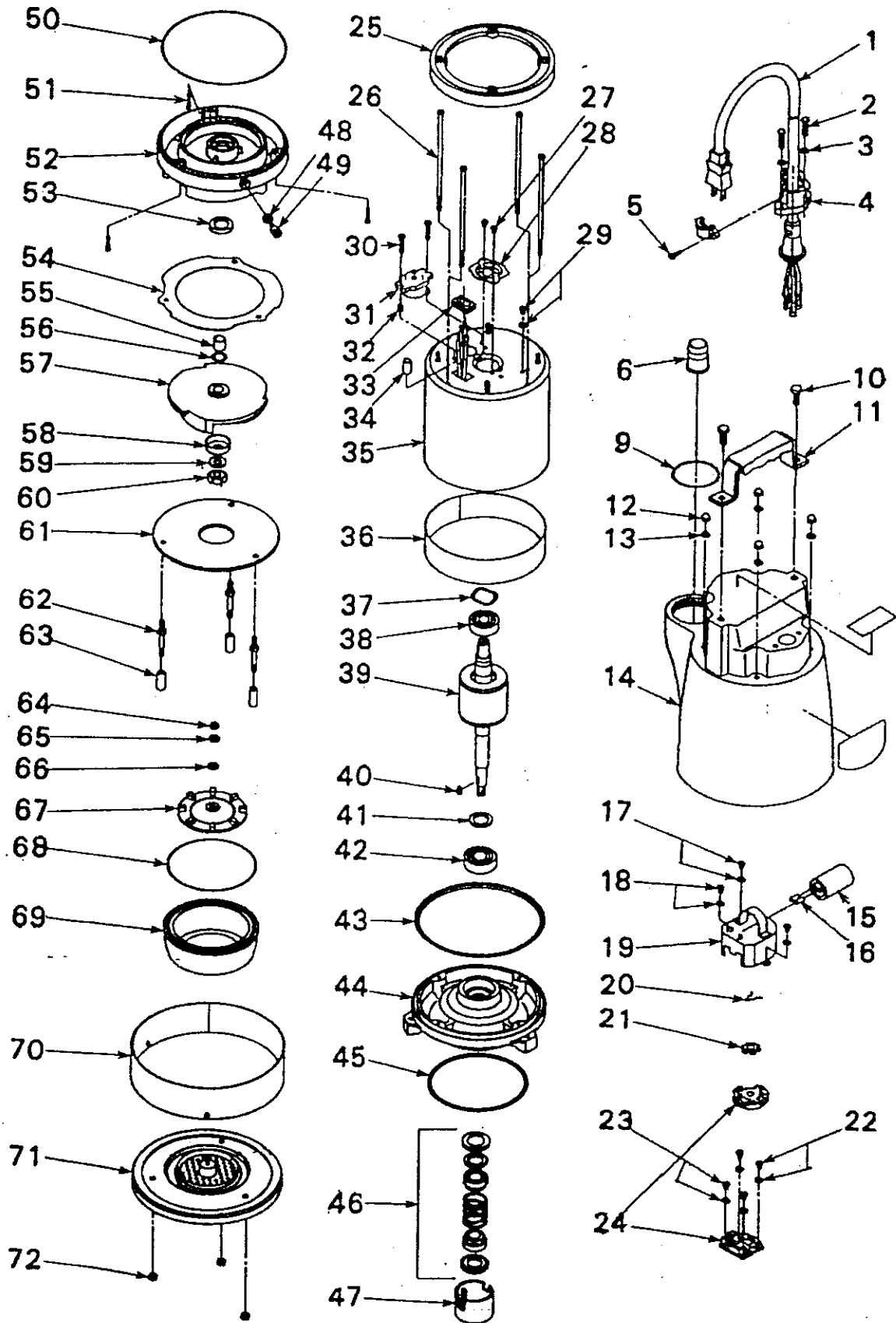
PARTS PRICE LIST

LSR2.4S-60

ILSR24A

Control Number :		PLPA-ILR24A-02		Supercedes: PLPA-ILR24A-01		(08/01/99)	
ITEM	PARTS NO.	DESCRIPTION	Q'TY	SIZE	MATERIAL	PRICE (\$)	NOTE
1	001-466-14	Cab-tyre Cable	1	AWG16 x 32,	VCT	99.20	
2	140-427-17	Hex. Bolt	2	M5 x 15	SUS304	0.50	
3	003-100-13	Gland	1		SUS304	4.90	
4	032-214-11	Hose Coupling	1	NPT-2"	FC	35.50	
5	141-030-38	Hex. Cap Nut	2	M8 (B=12)	SUS304	1.80	
6	121-138-19	Packing	1	LB(P.C84)	NBR	1.50	*
7	010-126-17	Cable Clip Rubber	1	HS2	NBR	2.20	
8	141-026-15	Square Nut	1	M5	S20C	0.10	
9	010-105-10	Cable Clamp	1	SB	SPC	1.90	
10	140-018-37	Hex. Bolt	1	M5 x 15	SWRM	0.10	
11	011-100-18	Shackle	1	S-8	SS	0.70	
12	068-251-11	Handle	1	LB2	SPC + NBR	10.80	
13	141-030-38	Hex. Cap Nut	2	M8 (B=12)	SUS304	1.80	
14	142-127-10	Plain Washer	2	M8	SUS304	0.20	
15	065-337-13	Outer Cover	1	LB2	SPC	48.80	
16	121-434-18	Packing	1	LB2		2.90	*
17	051-214-10	Head Cover	1		ADC	45.90	
18	140-036-15	Hex. Bolt	3	M6 x 25	SUS304	0.50	
19	142-126-19	Plain Washer	3	M6	SUS304	0.20	
20	121-439-13	Packing	1	120x142x6,2	NBR	9.60	*
21	143-136-15	Cross Pan Screw	2	M4 x 10	SWRM	0.10	
22	009-185-10	Inter. L. Wire Set	1	Red		3.00	
23	009-184-19	Inter. L. Wire Set	1	Blue		3.00	
24	009-186-11	Inter. L. Wire Set	1			3.00	
25	053-400-11	Motor Protector	1	MEA-98128	(H)110V	24.30	
25	053-413-17	Motor Protector	1	KAL12-LPKL06	(T)220V	24.30	
26	016-110-16	L. Wire Prot. Bush	1	LB-400	NBR	1.50	
27	009-187-12	Earth Terminal Set	1	Green		3.00	
28	143-085-34	Cross Pan Screw	1	M4 x 6	BSEB	0.30	
29	143-124-10	Cross Pan Screw	1	M4 x 6	SWRM	0.20	
30	127-192-19	Fixture	1	LB2	SECC	3.00	
31	076-136-14	Starting Capacitor	1	43MFD-220VAC		65.10	
32	050-400-12	Motor Bracket	1		SPC	17.80	
33	142-192-16	Wave Washer	1	#6201	SK-5	1.90	
34	052-100-15	Ball Bearing	1	#6201ZZC3		5.30	
35	055-657-11	Rotor and Shaft	1			142.10	
36	061-157-15	Bearing Collar	1	15.1 x21x1.6t	SPC	3.00	
37	052-101-16	Ball Bearing	1	6202ZZC3		6.80	
38	056-685-11	Moter Stator	1		110V	189.40	
38	056-687-13	Moter Stator	1		220V	189.40	
39	181-061-16	Bundle Band	1	CV70		0.30	
40	064-466-19	Motor Frame	1		ADC	82.90	
41	025-291-10	Mechanical Seal	1	W-14VL	SIC	56.20	
42	122-133-17	O-ring	1	G-110	NBR	2.90	*
43	122-453-16	O-ring	1	172 x 2.7	NBR	5.40	*
44	029-282-23	Oil Casing	1	LB2	ADC	38.50	
45	121-246-11	Packing	1	10.3x15 x 2t	POS	0.80	*
46	035-124-12	Oil Plug	1	M10 x 15	SUS304	1.90	
47	140-253-10	Hex. Socket Cap Screw	1	M6 x 25	SUS304	1.30	
48	020-991-12	Pump Casing	1	LSR2.4	S. Rubber	48.80	
49	122-441-11	V-ring	1	VR-14	NBR	2.70	
50	071-292-14	Shaft Sleeve	1	LB2	SUS30-4	4.90	
51	021-L79-18	Impeller	1	LB2	Urethan	29.60	
52	142-127-10	Plain Washer	1	M8	SUS304	0.20	
53	142-163-18	Spring Washer	1	M8	SUS304	0.20	
54	141-030-38	Hex. Cap Nut	1	M8 (B=12)	SUS304	1.80	
55	022-775-14	Suction Cover	1	LSR2.4	NR+BR	26.60	
56	023-480-12	Strainer	1	LSR2.4	SPCC	10.40	
57	140-426-16	Hex. Bolt w/Washer	3	M6 x 15	SUS304	1.50	
	173-459-10	Packing O-ring Set	1	(*)		15.80	

- * Pricing in U.S. currency and subject to change without notice.
- * Items with * come in Packing O-Ring Set.



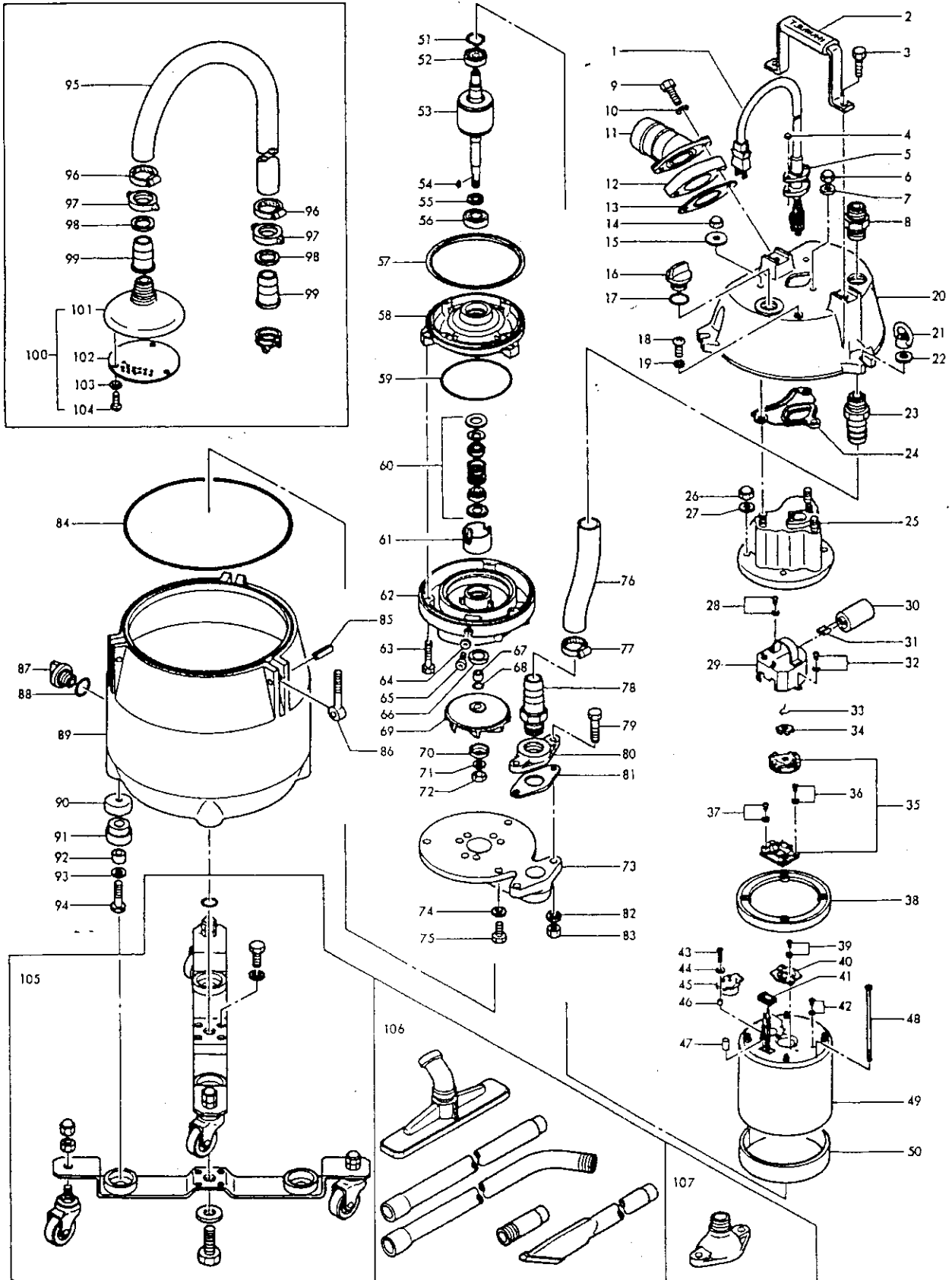
PARTS PRICE LIST

LSC-4

ILSC4A

Control Number :		PLPA-ILSC4A-02	Supercedes:		PLPA-ILSC4A-01	(08/01/99)	
ITEM	PARTS NO.	DESCRIPTION	Q'TY	SIZE	MATERIAL	PRICE (\$)	NOTE
1	001-305-14	Cab-tyre Cable	1	AWG16 x 16'	VCT	59.20	
2	140-427-17	Hex. Bolt	2	M5x15L	SUS304	0.50	
3	003-152-23	Gland	1	SKJ	Resin	4.90	
4	143-071-24	Tapping Screw	1	M4x12L	SUS304	0.10	
6	032-343-10	Hose Coupling	1	3/4" NPS		17.90	
9	122-121-12	O-Ring	1	G-50(3.1)	NBR	1.00	*
10	140-033-12	Hex. Bolt	2	M6x16L	SUS304	0.30	
11	068-164-32	Handle	1		SPH+NBR	9.80	
12	141-028-17	Hex. Cap Nut	4	M5	SUS304	0.20	
13	142-125-18	Plain Washer	4	M5	SUS304	0.20	
14	065-194-29	Outer Cover	1		ADC	99.50	
15	076-107-16	Starting Capacitor	1	120MFD-125VAC	(T)	18.60	
16		Insulation Sleeve	1		Vinyl	1.50	
17	143-124-10	Cross Pan Screw	1	M4x6L	SWRH	0.20	
18	143-124-10	Cross Pan Screw	2	M4x6L	SWRM	0.20	
19	078-102-17	Switch Cover	1		SPC	3.70	
20	145-002-17	Pin	1	10	SUS304	0.70	
21	142-207-15	Finger Spring	1	10.5	SK-5	1.00	
22	143-124-10	Cross Pan Screw	2	M4x6L	SWRM	0.20	
23	143-076-29	Cross Pan Screw	2	M3x6L	SWRM	0.20	
24	077-109-11	Centrifugal Switch	1	MS-3-2		27.40	
25	121-249-14	Packing	1		NBR	16.40	*
26	143-093-19	Cross Pan Screw	4	M5x125L	SWRM	2.20	
27	143-124-10	Cross Pan Screw	2	M4x6L	SWRM	0.20	
28	062-185-15	Bearing Cover	1		SECC	2.60	
29	143-124-10	Cross Pan Screw	1	M4x6L	SWRM	0.20	
30	143-114-17	Cross Trust Screw	2	M4x16L	SWRM	0.10	
31	053-157-10	Motor Protector	1	KA142-BATL47	(H)110V	22.30	
32	071-174-19	Spacer	2	6x6x0.5t	SPC	0.40	
33	016-110-16	L.Wire Prot. Bush	1	LB-400	NBR	1.50	
34		Lead Wire Prot. Tube	1	LB-400(E)		1.50	
35	056-647-11	Motor Stator and Frame	1		110V	313.80	
36	071-173-18	Collar	1		SECC	3.40	
37	142-192-16	Wave Washer	1	#6201	SK-5	1.90	
38	052-100-15	Ball Bearing	1	#6201ZZC3		5.30	
39	055-247-14	Rotor and Shaft	1			122.50	
40	147-016-10	Impeller Key	1	4x4x10L	SUS403	4.40	
41	061-157-15	Bearing Collar	1	15.1x21x1.6t	SPC	3.00	
42	052-101-16	Ball Bearing	1	#6202ZZC3		6.80	
43	121-244-19	Packing	1		NBR	13.30	*
44	060-167-15	Bearing Housing	1		FC	49.60	
45	122-131-15	O-Ring	1	G-100(3.1)	NBR	2.10	*
46	025-290-19	Mechanical Seal	1	W-14HL	Sic	51.10	
47	030-116-16	Oil Ring	1		Resin	2.70	
48	121-246-11	Packing	1	10.2x16.5x2t	Poly.Sheet	0.80	*
49	035-111-29	Oil Plug	1	M10x10L	SUS304	1.90	
50	122-274-11	O-Ring	1	159.5x2.5	NBR	5.50	*
51	140-040-12	Hex. Bolt	3	M6x40L	SUS304	0.70	
52	020-644-17	Pump Casing	1	LB	FC	56.80	
53	026-100-14	Oil Seal	1	SC-15287	NBR	2.10	
54	120-100-19	Packing	1			2.00	*
55	071-112-19	Shaft Sleeve	1	11x14.8x11L	SUS430	4.90	
56	040-100-18	Impeller Shim	1	11.2x17x0.3t	SUS	0.20	
57	021-434-15	Impeller	1	60HZ		22.30	
58	047-108-20	Impeller Prot. Cover	1	No.1 (10.5)	SUS304	1.80	
59	142-164-19	Spring Washer	1	M10	SUS304	0.30	
60	141-006-77	Hex. Nut	1	M10	S45C	0.20	
61	022-590-13	Suction Cover	1		SPC	23.20	
62	144-101-14	Stud Bolt	3	M6x54L	SUS403	1.90	
63	127-114-17	Support Pipe	3	1/8x28.5L	SGP	2.40	
64	141-004-33	Hex. Nut	1	M6	SUS304	0.20	
65	142-126-19	Plain Washer	1	M6.5x16x1	SUS304	0.20	
66	121-266-17	Packing	1	6x16x1t	NBR	0.80	*
67	203-015-16	Swing Check Valve	1	LSC-4	SBR	29.70	
68	122-133-17	O-Ring	1	G-110(3.1)	NBR	2.90	*
69	023-366-11	Valve Sheet	1		NBR	23.70	
70	023-340-19	Strainer	1		SPC	10.50	
71	049-161-14	Bottom Plate	1		SPC+NBR	74.00	
72	141-004-33	Hex. Nut	3	M6	SUS304	0.20	
	173-005-17	Packing O-Ring Set	1	(*)		31.70	

- Pricing in U.S. currency and subject to change without notice.
- Items with * come in Packing O-Ring Set.



PARTS PRICE LIST

LSP-4

ILSP4A

Control Number :		PLPA-ILSP4A-02	Supercedes:		PLPA-ILSP4A-01	(08/01/99)	
ITEM	PARTS NO.	DESCRIPTION	Q'TY	SIZE	MATERIAL	PRICE (\$)	NOTE
77	181-077-28	Hose Band	1	HS-16	SUS	5.20	
78	032-337-11	Hose Coupling	1	1"	Resin	2.70	
79	140-057-12	Hex. Bolt	2	M8 x 35	SUS304	1.20	
80	048-128-16	Female Flange	1	1"	FC	14.90	
81	121-429-10	Packing	1	P.C.80 x32x 2t	NBR	10.00	*
82	142-127-10	Plain Washer	2	M8	SUS304	0.20	
83	141-005-18	Hex. Nut	2	M8	SUS304	0.50	
84	122-154-14	O-ring	1	G-230	NBR	7.50	*
85	145-024-15	Spring Washer	3	8 x 32L	SUP	1.50	
86	144-515-15	Hinge Bolt	3	M8 x 50	SUS304	13.90	
87	204-004-15	Drain Plug	1	PF-3/4"	Resin	1.40	
88	122-116-14	O-ring	1	G-25	NBR	0.50	*
89	216-013-14	Tank	1	LSP-4	AC	518.00	
90	047-104-26	Stand Support	4		SUS304	1.80	
91	165-008-15	Rubber Stand	4		NBR	5.00	
92	071-296-18	Spacer	4	7 x 13 x 9L	Al.	5.90	
93	142-127-10	Plain Washer	4	M8	SUS304	0.20	
94	140-035-14	Hex. Bolt	4	M6 x 20	SUS304	0.40	
95-99	180-316-16	(Suction Hose Set)	1			136.50	
95	180-315-15	Suction Hose	1	25 x 5m		88.90	
96	181-077-28	Hose Band	2	HS-16	SUS	5.20	
97	128-109-12	Union	2	PF-1"	ADC	5.00	
98	121-210-16	Packing	2		NBR	3.60	
99	032-236-19	Hose Coupling	1	1"	ADC	20.00	
100	023-365-10	Sweep Attachment Set	1	w/strainer	FC + SUS	80.50	
101	023-352-14	Sweep Disk	1		FC	65.70	
102	023-353-15	Strainer	1		SUS	14.80	
103	142-124-17	Plain Washer	3	M4	SUS304	0.20	
104	143-013-28	Cross Pan Screw (Special Attachment)	3	M4 x 6	SUS304	0.10	
105	XDAISHA1	Wheel Kit	1			148.00	
106	XSPIPE1	Sweep Pipe Set	1			88.80	
107	032-339-13	Discharge	1	PT-1"	FC	25.20	
	173-469-13	Packing O-ring Set	1	(*)		49.70	

* Pricing in U.S. currency, and subject to change without notice.

* Items with * come in Packing O-Ring Set.

PARTS PRICE LIST

LSP-4

ILSP4A

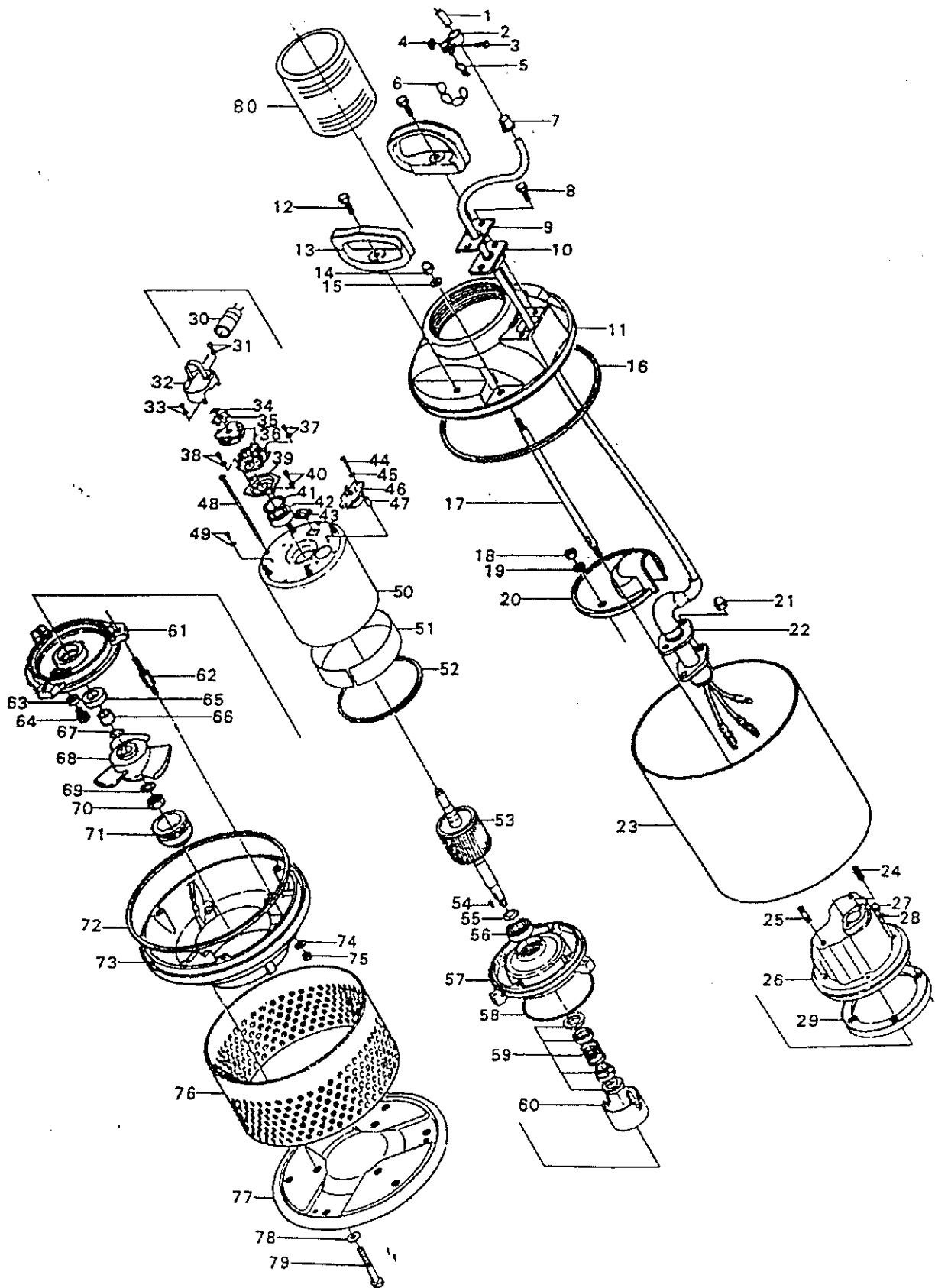
Control Number : PLPA-ILSP4A-02

Supercedes:

PLPA-ILSP4A-01

(08/01/99)

ITEM	PARTS NO.	DESCRIPTION	Q'TY	SIZE	MATERIAL	PRICE (\$)	NOTE
1	001-169-24	Cab-tyre Cable	1	AWG16 x 16'	VCT	59.20	
2	068-240-17	Handle	1	LSP-4	SPC + Rubber	20.70	
3	140-072-13	Hex. Bolt	2	M10 x 15	SUS304	1.50	
4	141-028-33	Hex. Cap Nut	2		SWRM	0.20	
5	003-100-13	Gland	1		SUS304	4.90	
6	141-030-12	Hex. Cap Nut	1	M8 (B=12)	SUS304	1.80	
7	142-127-10	Plain Washer	1	M8	SUS304	0.20	
8	080-020-17	Nipple	1	1"	FCMB	5.90	
9	140-058-13	Hex. Bolt	2	M8 x 40	SUS304	1.20	
10	142-114-14	Plain Washer	2	M8 (D=15.5)	SUS304	0.20	
11	032-285-13	Hose Coupling	1	45 deg. x 2"	ADC	19.20	
12	203-056-19	Check Valve	1		Urethan	29.60	
13	121-138-19	Packing	1	LB type	NBR	1.50	*
14	141-030-12	Hex. Cap Nut	2	M8 (B=12)	SUS304	1.80	
15	142-348-19	Plain Washer	2	9 x 35 x 3t	SUS304	13.30	
16	204-004-15	Priming Plug	1	PF-3/4"	Resin	1.40	
17	122-116-14	O-ring	1	G-25	NBR	0.50	*
18	143-013-31	Cross Pan Screw	1	M4 x 6	BSBM	0.20	
19	142-111-40	Plain Washer	1	M4 (D=8)	BSBM	0.20	
20	217-007-18	Tank Cover	1	LSP-4	AC	444.00	
21	072-132-18	Eye Nut	3	M8	SUS304	17.80	
22	142-128-11	Plain Washer	3	M10	SUS304	0.30	
23	032-337-11	Hose Coupling	1	1" (Screwed)	Resin	2.70	
24	121-444-11	Sheet Packing	1	LSP-4 (3-hole)	NBR	4.00	*
25	051-220-19	Head Cover	1		ADC	59.20	
26	141-028-17	Hex. Cap Nut	4	M5	SUS304	0.20	
27	142-125-18	Plain Washer	4	M5	SUS304	0.20	
28	143-124-10	Cross Pan Screw	1	M4 x 6	SWRM	0.20	
29	078-102-17	Switch Cover	1		SPC	3.70	
30	076-107-16	Starting Capacitor	1	120MFD-125VAC	(T)	18.60	
31	071-	Sleeve	1	Large/Small	Poly	1.50	
32	143-124-10	Cross Pan Screw	2	M4 x 6	SWRM	0.20	
33	145-002-17	Pin	1		SUS304	0.70	
34	142-207-15	Finger Spring	1	10.5	SK-5	1.00	
35	077-109-11	Centrifugal Switch	1	MS-3-2		27.40	
36	143-124-10	Cross Pan Screw	2	M4 x 6	SWRM	0.20	
37	143-076-29	Cross Pan Screw	2	M3 x 6	SWRM	0.20	
38	121-249-14	Packing	1	LB-400	NBR	16.40	*
39	143-124-10	Cross Pan Screw	2	M4 x 6	SWRM	0.20	
40	062-185-15	Bearing Cover	1	LB	SECC	2.60	
41	016-110-16	L. Wire Prot. Bush	1	LB-400	NBR	1.50	
42	143-124-10	Cross Pan Screw	1	M4 x 6	SWRM	0.20	
43	143-019-11	Cross Pan Screw	2	M4 x 16	SWRM	0.10	
44	142-124-20	Plain Washer	2	M4	SPC	0.20	
45	053-157-10	Motor Protector	1	KA142-BATL47	(H)110V	22.30	
46	071-174-19	Spacer	2	6 x 6 x 0.5t	SPC	0.40	
47	002-	L. Wire Prot. Tube	1	LB-400		0.90	
48	143-093-19	Cross Pan Screw	4	M5 x 125	SWRM	2.20	
49	056-228-12	Stator	1		110V	239.80	
50	071-173-18	Collar	1	32L	SECC	3.40	
51	142-192-16	Wave Washer	1	#6201	SK-5	1.90	
52	052-100-15	Ball Bearing	1	6201ZZC3		5.30	
53	055-247-14	Rotor and Shaft	1			122.50	
54	147-016-10	Impeller Key	1	4 x 4 x 10	SUS	4.40	
55	061-157-15	Bearing Collar	1	15.1x21x1.6t	SPC	3.00	
56	052-101-16	Ball Bearing	1	6202ZZC3		6.80	
57	121-244-19	Packing	1	LB-400	NBR	13.30	*
58	060-167-15	Bearing Housing	1		FC	49.60	
59	122-131-15	O-ring	1	G-100	NBR	2.10	*
60	025-290-19	Mechanical Seal	1	W-14HL	Sic	51.10	
61	030-116-16	Oil Ring	1	LB	Resin	2.70	
62	020-644-17	Pump Casing	1	LB	FC	56.80	
63	140-040-12	Hex. Bolt	3	M6 x 40	SUS304	0.70	
64	121-246-11	Packing	1	10.3 x 16x2t	Poly	0.80	*
65	035-124-12	Oil Plug	1	M10 x 15	SUS304	1.90	
66	026-100-14	Oil Seal	1	SC-15287	NBR	2.10	
67	071-112-19	Shaft Sleeve	1	11x14.8x11L	SUS430	4.90	
68	040-100-18	Impeller Shim	1	11.2x17x0.3t	SUS304	0.20	
69	021-F15-11	Impeller	1	60Hz	FCD	38.50	
70	047-108-20	Impeller Thread Cover	1	No.1 (10.5)	SUS304	1.80	
71	142-164-19	Spring Washer	1	M10	SUS304	0.30	
72	141-006-77	Hex. Nut	1	M10	S45C	0.20	
73	022-671-19	Suction Cover	1	LSP-4	FC	53.30	
74	142-126-29	Plain Washer	3	M6	SUS304	0.20	
75	140-035-14	Hex. Bolt	3	M6 x 20	SUS304	0.40	
76	180-314-14	Suction Hose	1	25 x 160L		8.90	



PARTS PRICE LIST

100AB2.4S-60

IAB4A

Control Number : FLPA-IAB24A-02

Supersedes :

FLPA-IAB24A-01

(08/01/99)

ITEM	PARTS NO.	DESCRIPTION	Q'TY	SIZE	MATERIAL	PRICE (\$)	NOTE
1	001-371-11	Cab-tyre Cable	1	AWG16 x 16'	VCT	71.90	
2	010-105-10	Cable Clip	1		SPC	1.90	
3	140-427-17	Hex. Bolt	2	M5x15L	SUS304	0.50	
4	141-026-15	Square Nut	1	M5	SPCC	0.20	
5	011-100-18	Shackle	1	S-8	SS	0.70	
6	095-133-10	Chain	1	4	SS	1.50	
7	010-126-17	Clip Rubber	1		NBR	2.20	
8	140-052-17	Hex. Bolt	2	M8x16L	SUS304	0.70	
9	003-154-12	Gland	2		SPC	1.40	
10	004-123-15	Cable Bush	1		NBR	2.10	
11	051-169-19	Pump Head Cover	1		FC20	116.00	
12	140-055-10	Hex. Bolt	2	M8x25L	SUS304	0.80	
13	068-177-12	Handle	2		FC20	9.30	
14	141-029-18	Hex. Cap Nut	3	M6	SUS304	1.60	
15	142-225-19	Seal Washer	3	M6	SPC+NBR	0.80	*
16	121-194-13	Packing	1	220x3	NBR	4.20	*
17	144-158-16	Stud Bolt	3	M6x261L	SUS403	8.90	
18	141-030-12	Hex. Nut	2	M8	SUS304	1.80	
19	142-163-18	Spring Washer	2	M8	SUS304	0.20	
20	065-162-15	Motor Head Prot. Cover	1		FC20	11.80	
21	141-028-33	Hex. Cap Nut	2	M5 (S)	SWRM	0.20	
22	003-100-13	Gland	1		SUS304	4.90	
23	065-164-17	Outer Cover	1		SUS304	102.60	
24	144-469-13	Stud Bolt	2	M5x22L	SUS304	1.50	
25	144-308-26	Stud Bolt	2	M8x25L	SUS304	1.90	
26	051-133-14	Motor Head Cover	1		ADC	45.90	
27	141-028-17	Hex. Cap Nut	4	M5	SUS304	0.20	
28	142-125-18	Plain Washer	4	M5	SUS304	0.20	
29	121-249-14	Packing	1		NBR	16.40	*
30	076-107-16	Starting Capacitor	1	120MF-125VAC	(T)	18.60	
31	143-124-10	Cross Pan Screw	1	M4x6L (SW)	SWRM	0.20	
32	078-102-17	Switch Cover	1		SPC	3.70	
33	143-124-10	Cross Pan Screw	2	M4x6L (SW)	SWRM	0.20	
34	145-002-17	Pin	1	10	SUS304	0.70	
35	142-207-15	Finger Spring	1	10.5	SK-5	1.00	
36	077-109-11	Centrifugal Switch	1	MS3-2		27.40	
37	143-076-29	Cross Pan Screw	2	M3x6L (SW)	SWRM	0.20	
38	143-124-10	Cross Pan Screw	2	M4x8L (SW)	SWRM	0.20	
39	062-185-15	Bearing Cover	1		SECC	2.60	
40	143-124-10	Cross Pan Screw	2	M4x6L (SW)	SWRM	0.20	
41	142-192-16	Wave Washer	1	#6201	SK-5	1.90	
42	052-100-15	Ball Bearing	1	#6201ZZC3		5.30	
43	016-110-16	L.Wire Prot. Bush	1	LB-400	NBR	1.50	
44	143-019-11	Cross Pan Screw	2	M4x16L	SWRM	0.10	
45	142-124-20	Plain Washer	2	M4	SPC	0.20	
46	053-157-10	Motor Protector	1	KA142-BATL47	(H)110V	22.30	
47	071-174-19	Spacer	2	6x6x0.5t	SPC	0.40	
48	143-093-19	Cross Pan Screw	4	M5x125L	SWRM	2.20	
49	143-124-10	Cross Pan Screw	1	M4x6L	SWRM	0.20	
50	056-641-15	Motor Stator	1	w/frame	110V	239.80	
51	071-173-18	Spacer	1	32L	SECC	3.40	
52	121-244-19	Packing	1		NBR	13.30	*
53	055-247-14	Rotor and Shaft	1			122.50	
54	147-016-10	Impeller Key	1	4x4x10L	SUS403	4.40	
55	061-157-15	Bearing Collar	1	15.1x21x1.6t	SPC	3.00	
56	052-101-16	Ball Bearing	1	#6202ZZC3		6.80	
57	060-167-15	Bearing Housing	1		FC20	49.60	
58	122-131-15	O-Ring	1	G-100 (3.1)	NBR	2.10	*
59	025-290-19	Mechanical Seal	1	W-14HL	SIC	51.10	
60	030-116-16	Oil Ring	1	LB-type	Resin	2.70	
61	029-201-15	Oil Casing	1		FC20	64.80	
62	144-179-13	Stud Bolt	3	M6x66L	SUS304	4.40	
63	121-248-13	Packing	1	8.2x13.5x2t	Poly.Sheet	0.50	*
64	035-112-17	Oil Plug	1	M8x12L	SUS304	1.50	
65	026-100-14	Oil Seal	1	SC-15287	NBR	2.10	
66	071-112-19	Shaft Sleeve	1	11x14.8x11L	SUS430	4.90	
67	040-100-18	Impeller Shim	1	11.2x17x0.3t	SUS304	0.20	
68	021-928-11	Impeller	1	Propeller(60HZ)	FC20	32.70	
69	142-164-19	Spring Washer	1	M10	SUS304	0.30	
70	141-006-77	Hex. Nut	1	M10	S45C	0.20	

PARTS PRICE LIST

100AB2.4S-60

IAB4A

Control Number : PLPA-IAB24A-02

Supersedes :

PLPA-IAB24A-01

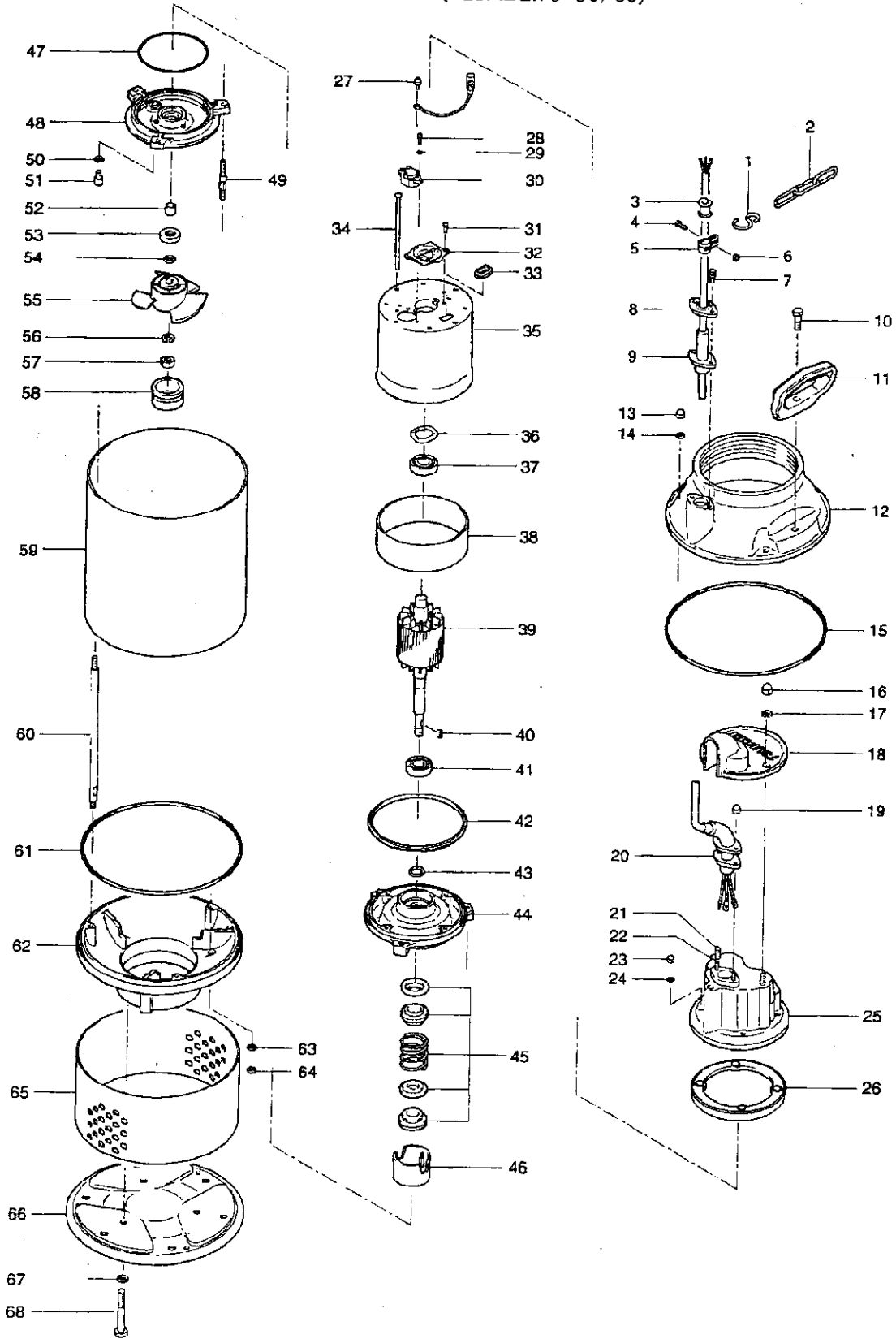
(08/01/99)

ITEM	PARTS NO.	DESCRIPTION	Q'TY	SIZE	MATERIAL	PRICE (\$)	NOTE
71	047-109-18	Impeller Prot. Cover	1	No.11	NBR	3.60	
72	121-194-13	Packing	1	220x3t	NBR	4.20	*
73	020-575-16	Pump Casing	1		FC20	88.80	
74	142-126-19	Plain Washer	3	M6	SUS304	0.20	
75	141-004-17	Hex. Nut	3	M6	SUS304	0.20	
76	023-294-17	Strainer	1		SPC	42.90	
77	049-150-10	Bottom Plate	1		SPC	37.60	
78	142-127-10	Plain Washer	3	M8	SUS304	0.20	
79	140-062-10	Hex. Bolt	3	M8x60L	SUS304	1.80	
80	032-267-19	Hose Coupling	1	AB-4 4" NPT	SS	95.00	
	173-128-17	Packing O-Ring Set	1	(*)		30.20	

- Pricing in U.S. currency and subject to change without notice.
- Items with * come in Packing O-Ring Set.

分解組立圖

125AB2.75-51/61 (125AB2.75-50/60)



MODEL N° 125AB2.75-51/61 (125AB2.75-50/60)

No	PARTS NO.	DESCRIPTION	Q'TY	SPECIFICATION	MATERIALS	WEIGHT(kg)	
1	801-01110018-9	Shackle	1	S-8	SS	0.01	112
2	801-09513310-9	Chain	1	d4(4-Link)	SS	0.028	220
3	801-01012617-9	Cable Clip Rubber	1	HS2	NBR	0.002	340
4	801-14001837-9	Hex.Bolt	1	M5x15	SWRM		24
5	801-01010510-9	Cable Clip	1	SB	SPC	0.01	280
6	801-14102615-9	Square Nut	1	M5	S20C	0.001	24
7	801-14042717-9	Hex.Bolt (w/Plain Washer)	2	M5x15	SUS304	0.001	84
8	801-00310013-9	Gland	1		SUS304	0.01	740
9	801-00200110-9	Cable Protection Tube	1		NR	0.015	660
10	801-14005510-9	Hex.Bolt	2	M8x25	SUS304	0.014	136
11	801-06817712-9	Handle	2	AB-4(SUS)	FC	0.5	1520
12	801-05117215-9	Pump Head Cover	1		FC	4	20400
13	801-14102918-9	Hex.Cap Nut	3	M6	SUS304	0.001	280
14	801-14222519-9	Seal Washer	3	W-6	SPC+NBR		220
15	801-12119413-9	Packing	1	d220x3t	NBR	0.01	680
16	801-14103012-9	Hex.Cap Nut	2	M8	SUS304	0.001	300
17	801-14216318-9	Spring Washer	2	M8	SUS304	0.001	32
18	801-06516215-9	Motor Head Protect. Cover	1	AB-4	FC		1920
19	801-14102833-9	Hex.Cap Nut	2	M5	SWRM	0.001	36
20	801-00119812-9	Cabtyre Cable Set (5m)220V-60HZ(TWN)	1	VCT4Cx1.25mm2	ABT	1	9240
21	801-14430826-9	Stud Bolt	2	M8x25	SUS304	0.007	320
22	801-14446913-9	Stud Bolt	2	M5x22	SUS304	0.001	240
23	801-14102817-9	Hex.Cap Nut	4	M5	SUS304	0.002	220
24	801-14212518-9	Plain Washer	4	M5	SUS304	0.001	32
25	801-05113314-9	Motor Head Cover	1		ADC	0.77	6820
26	801-12124914-9	Packing	1	LB-400(E)	NBR	0.05	2100
27	801-14308534-9	Pan Screw (w/Spring Washer)	1	M4x6	BSBM	0.001	48
28	801-14311417-9	Truss Screw	2	M4x16	SWRM	0.001	24
29	801-07117419-9	Spacer	2	d6x6lx0.5t	SPC	0.001	56
30	801-05327212-9	Motor Protector 220V-60HZ	1	KA311-DAXL78	(T)	0.015	17260
30	801-05326714-9	Motor Protector 380/400/415V-50HZ	1	KA311-DAXL63	(T)		11700
30	801-05326714-9	Motor Protector 400/440V-60HZ	1	KA311-DAXL63	(T)		11700
31	801-14312410-9	Pan Screw (w/Spring Washer/Plain Washer)	2	M4x6	SWRM		40
32	801-06218515-9	Bearing Fixing Plate	1	LB	SECC	0.021	460
33	801-01611016-9	Lead Wire Protection Bush	1	LB-400(E)	NBR	0.001	220
34	801-14311912-9	Pan Screw	4	M5x127	SWRM	0.016	360
35	801-14219216-9	Stator	1set				
36	801-14219216-9	Wave Washer		1 #6201	SK-5	0.001	320
37	801-05210015-9	Bearing		1 6201ZZC3		0.04	940
38	801-07120611-9	Collar		1 29I	SECC		520
39	801-05567414-9	Rotor	1set	w/Bearing			25200

40	801-14701610-9	Impeller Key	1	4x4x10I	SUS	0.001	720
41	801-05215212-9	Bearing	1	6302ZZC3		0.09	1420
42	801-12124419-9	Packing	1	LB-400(E)	NBR	0.01	1660
43	801-06115715-9	Bearing Collar	1	d15.1xd21x1.6t	SPC		520
44	801-06037215-9	Bearing Housing	1		FC	1.5	28800
45	801-02529019-9	Mechanical Seal	1	W-14HL	SIC+CCBN	0.04	7600
46	801-03011616-9	Oil Ring	1	LB	Resin	0.014	440
47	801-12213115-9	O-Ring	1	G-100	NBR	0.001	280
48	801-02920115-9	Oil Casing	1	AB-4/8	FC	0.9	10520
49	801-14417913-9	Stud Bolt	3	M6x66(17/18)	SUS304	0.02	720
50	801-12124813-9	Packing	1	d8.2xd13.5x2t	PE	0.001	72
51	801-03511217-9	Oil Plug	1	M8x12	SUS304		220
52	801-07111219-9	Shaft Sleeve	1	d11xd14.8x11l	SUS430	0.01	740
53	801-02610014-9	Oil Seal	1	SC-15287	NBR	0.001	320
54	801-04010018-9	Impeller Shim	1	d11.2xd17x0.3t	SUS304	0.001	32
55	801-02193016-9	Impeller (50Hz)	1	50Hz	FC	0.445	6040
55	801-02100014-9	Impeller (60Hz)	1	60Hz	FC		6040
56	801-14216419-9	Spring Washer	1	M10	SUS304	0.001	56
57	801-14100577-9	Hex.Nut	1	M10	S45C	0.01	32
58	801-04710918-9	Impeller Thread Protection Cap	1	No.11	NBR	0.025	580
59	801-06516417-9	Outer Cover	1	AB-4/8	SUS304	1.5	16640
60	801-14415816-9	Stud Bolt	3	M6x261(13/20)	SUS403	0.14	1440
61	801-12119413-9	Packing	1	d220x3t	NBR	0.01	680
62	801-02057516-9	Pump Casing	1	AB-4/8(SUS)	FC	3	14400
63	801-14212619-9	Plain Washer	3	M6	SUS304	0.001	32
64	801-14100417-9	Hex.Nut	3	M6	SUS304	0.001	32
65	801-02329417-9	Strainer	1	AB-4	SPC		6960
66	801-04915010-9	Bottom Plate	1	AB-4	SPC	0.85	5600
67	801-14212710-9	Plain Washer	3	M8	SUS304	0.001	32
68	801-14006210-9	Hex.Bolt	3	M8x60	SUS304	0.027	300
	801-17312817-9	<Packing O-Ring Set>					
	801-14222519-9	Packing O-Ring Set	1set	(*)		0.085	4900
14	801-14222519-9	Seal Washer (Pump Head Cover Bolt)	3	W-6	SPC+NBR		220
15	801-12119413-9	Packing (Pump Head Cover/Out.Cover)	1	d220x3t	NBR	0.01	680
26	801-12124914-9	Packing (Motor Head Cover/M.Frame)	1	LB-400(E)	NBR	0.05	2100
42	801-12124419-9	Packing (M.Frame/Brg.Housing)	1	LB-400(E)	NBR	0.01	1660
47	801-12213115-9	O-Ring (Brg.Housing/O.Casing)	1	G-100	NBR	0.001	280
50	801-12124813-9	Packing (Oil Plug)	1	d8.2xd13.5x2t	PE	0.001	72
61	801-12119413-9	Packing (Out.Cover/P.Casing)	1	d220x3t	NBR	0.01	680
		Lubricant		Turbine Oil#32 160ml			
		<Impeller Puller>					
801-18300619-9	impeller Puller			A Type No.1 1/2"		0.265	3660