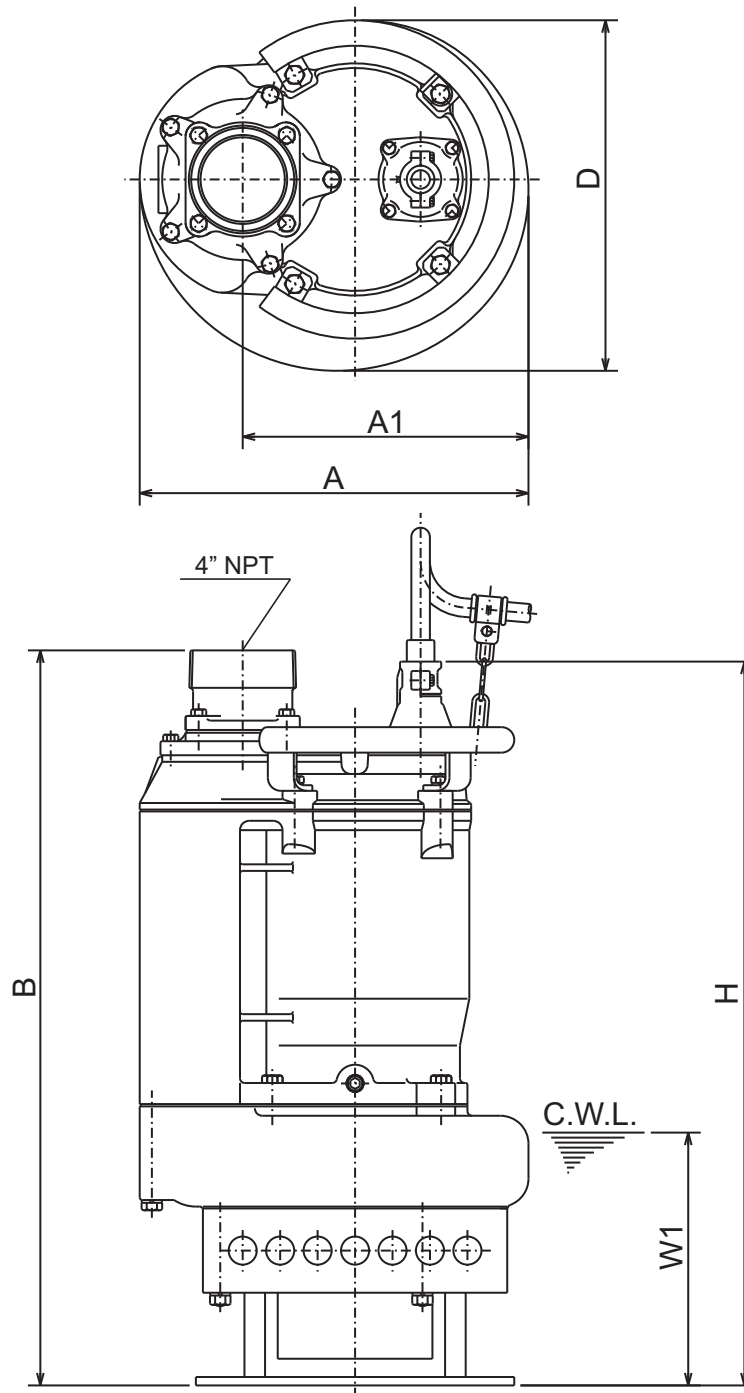




**KRS - SERIES (SAND)
HIGH VOLUME - AGITATOR PUMPS**

DIMENSIONS

KRS2-100



C.W.L. : Continuous running Water Level

DIMENSIONS:USCS (Inch)

Model	HP	NOM. SIZE	Pump & Motor					C.W.L.	*Wt. (lbs.)
			A	A1	B	D	H	W1	
KRS2-100	8	4"	16 3/8	12	30 7/8	14 3/4	30 7/16	10 5/8	315

DIMENSIONS:METRIC (mm)

*Excluding Cable

Model	kW	NOM. SIZE	Pump & Motor					C.W.L.	*Wt. (kg)
			A	A1	B	D	H	W1	
KRS2-100	6.0	100	415	305	785	374	773	270	143