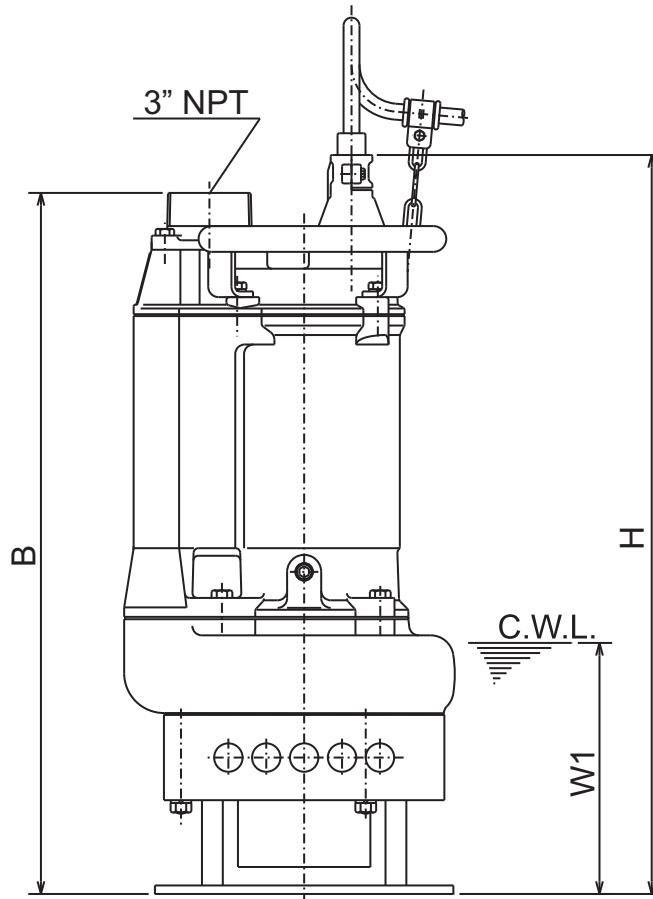
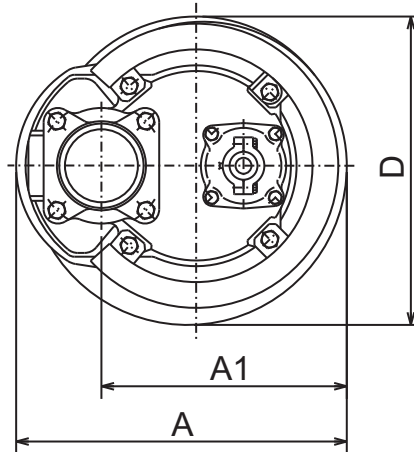




**KRS - SERIES (SAND)
HIGH VOLUME - AGITATOR PUMPS**

DIMENSIONS

KRS2-80



C.W.L. : Continuous running Water Level

DIMENSIONS:USCS (Inch)

Model	HP	NOM. SIZE	Pump & Motor					C.W.L.	*Wt. (lbs.)
			A	A1	B	D	H	W1	
KRS2-80	5.4	3"	13 3/4	10 3/16	29 1/8	12 13/16	30 11/16	10 3/8	231

DIMENSIONS:METRIC (mm)

*Excluding Cable

Model	kW	NOM. SIZE	Pump & Motor					C.W.L.	*Wt. (kg)
			A	A1	B	D	H	W1	
KRS2-80	4.0	80	349	259	740	326	780	265	105