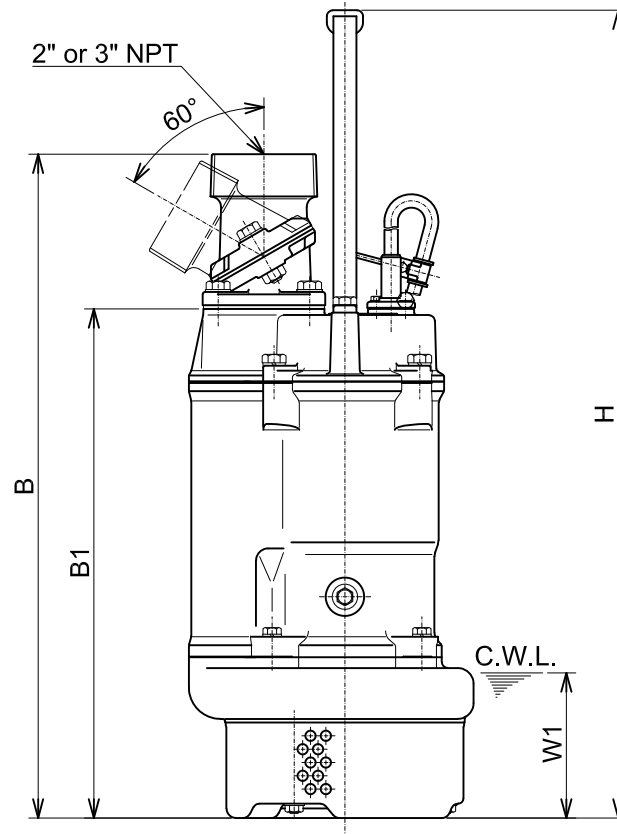


KTZ21.5-61  
KTZ31.5-61  
KTZ22.2-61  
KTZ32.2-61



**DIMENSIONS:USCS (Inch)**

C.W.L. : Continuous running Water Level

Model	HP	NOM. SIZE	Pump & Motor							C.W.L. W1	*Wt. (lbs.)
			A	As	A1	B	B1	D	H		
KTZ21.5-61	2	2"	9 1/4	10 1/4	6 13/16	20 13/16	15 13/16	8 1/2	25 1/2	4 3/4	77
KTZ31.5-61	2	3"	9 1/4	10 9/16	6 13/16	20 13/16	15 13/16	8 1/2	25 1/2	4 3/4	75
KTZ22.2-61	3	2"	9 1/4	10 1/4	6 13/16	20 13/16	15 13/16	8 1/2	26 5/16	4 3/4	79
KTZ32.2-61	3	3"	9 1/4	10 9/16	6 13/16	20 13/16	15 13/16	8 1/2	26 5/16	4 3/4	77

**DIMENSIONS:METRIC (mm)**

\*Excluding Cable

Model	kW	NOM. SIZE	Pump & Motor							C.W.L. W1	*Wt. (kg)
			A	As	A1	B	B1	D	H		
KTZ21.5-61	1.5	50	235	261	173	529	401	216	648	120	35
KTZ31.5-61	1.5	80	235	268	173	529	401	216	648	120	34
KTZ22.2-61	2.2	50	235	261	173	529	401	216	668	120	36
KTZ32.2-61	2.2	80	235	268	173	529	401	216	668	120	35