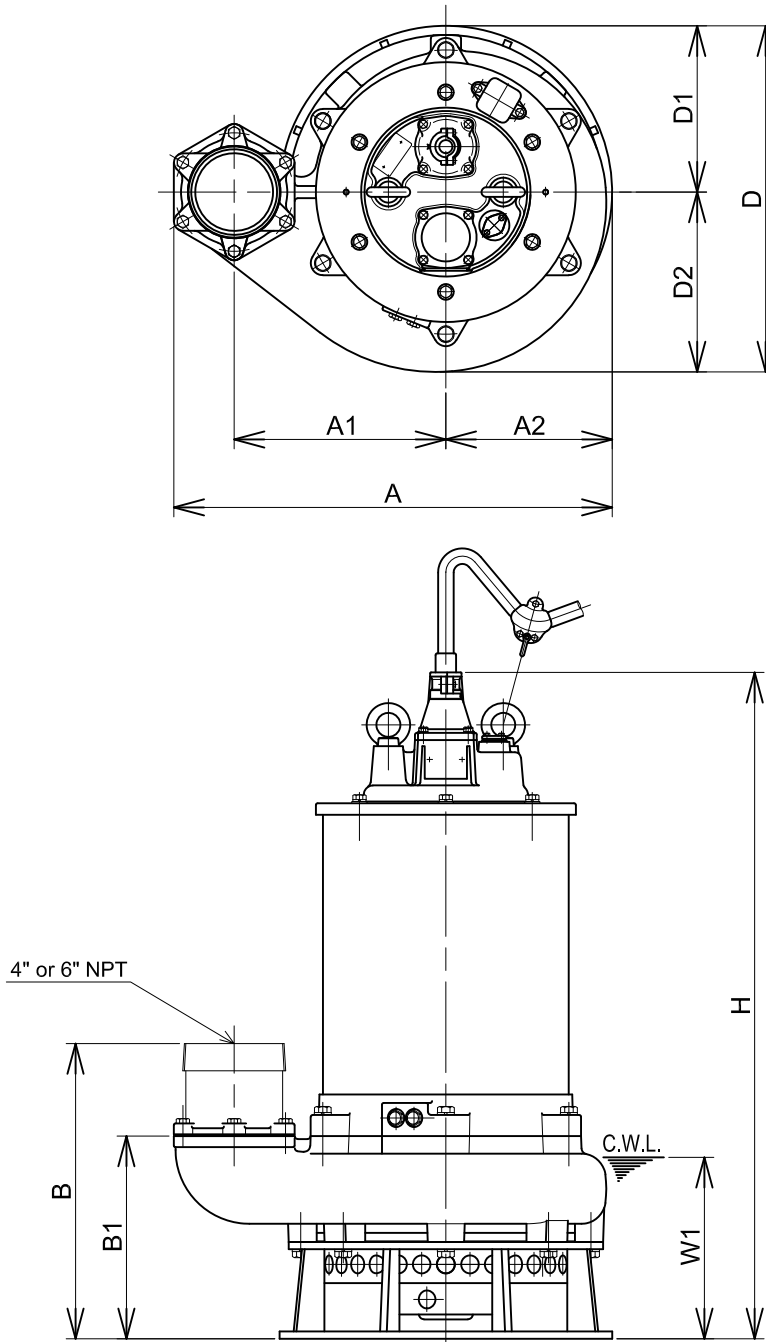


GPN422 -61
GPN622 -61



C.W.L. :Continuous running Water Level

DIMENSIONS:USCS (Inch)

Model	HP	NOM. SIZE	Pump & Motor									C.W.L. W1	*Wt. (lbs.)
			A	A1	A2	B	B1	D	D1	D2	H		
GPN422-61	30	4"	28 9/16	13 3/4	10 13/16	19 3/16	13 3/16	22 1/2	10 13/16	11 11/16	43 3/8	11 3/4	915
GPN622-61	30	6"	28 9/16	13 3/4	10 13/16	19 3/16	13 3/16	22 1/2	10 13/16	11 11/16	43 3/8	11 3/4	915

DIMENSIONS:METRIC (mm)

*Excluding Cable

Model	kW	NOM. SIZE	Pump & Motor									C.W.L. W1	*Wt. (kg)
			A	A1	A2	B	B1	D	D1	D2	H		
GPN422-61	22	100	725	350	275	488	335	572	275	297	1102	300	415
GPN622-61	22	150	725	350	275	488	335	572	275	297	1102	300	415