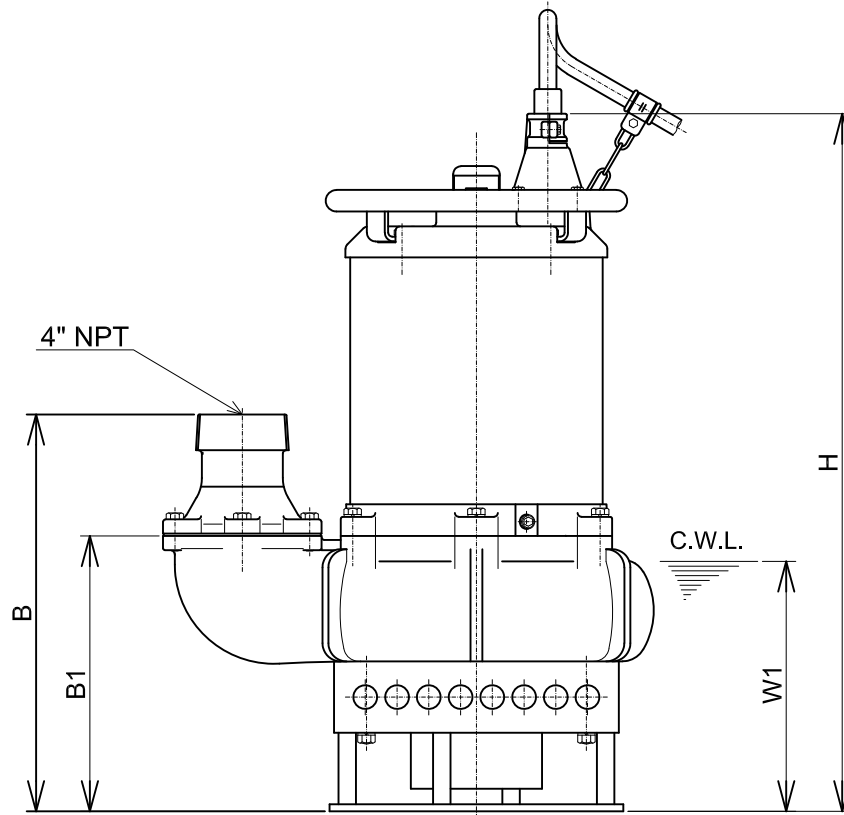
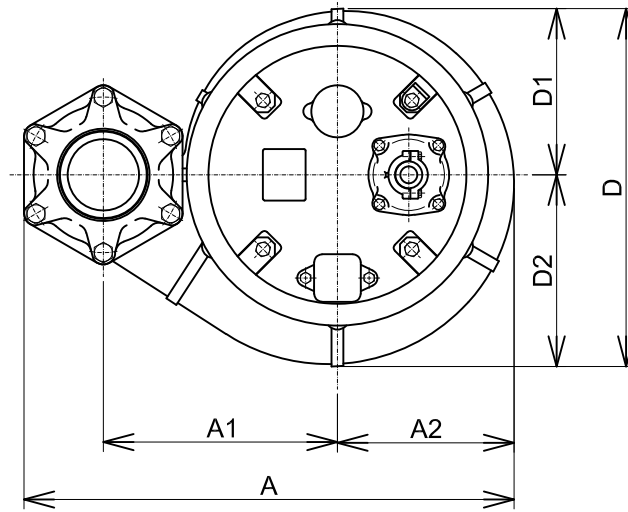


GPN411 -61
GPN415 -61



C.W.L. :Continuous running Water Level

DIMENSIONS:USCS (Inch)

Model	HP	NOM. SIZE	Pump & Motor									C.W.L.	*Wt.
			A	A1	A2	B	B1	D	D1	D2	H	W1	(lbs.)
GPN411-61	15	4"	24 5/16	11 5/8	8 3/4	19 11/16	13 11/16	17 13/16	8 1/4	9 1/2	34 5/8	12 3/8	478
GPN415-61	20	4"	24 5/16	11 5/8	8 3/4	19 11/16	13 11/16	17 13/16	8 1/4	9 1/2	34 5/8	12 3/8	485

DIMENSIONS:METRIC (mm)

*Excluding Cable

Model	kW	NOM. SIZE	Pump & Motor									C.W.L.	*Wt.
			A	A1	A2	B	B1	D	D1	D2	H	W1	(kg)
GPN411-61	11	100	617	295	223	500	347	452	210	242	879	315	217
GPN415-61	15	100	617	295	223	500	347	452	210	242	879	315	220