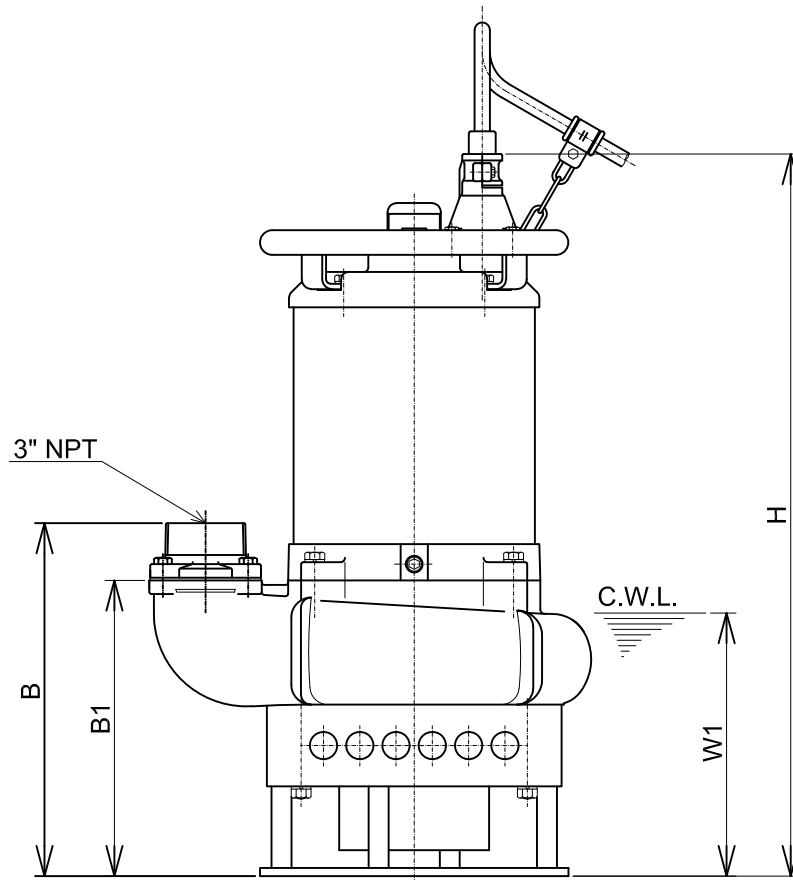
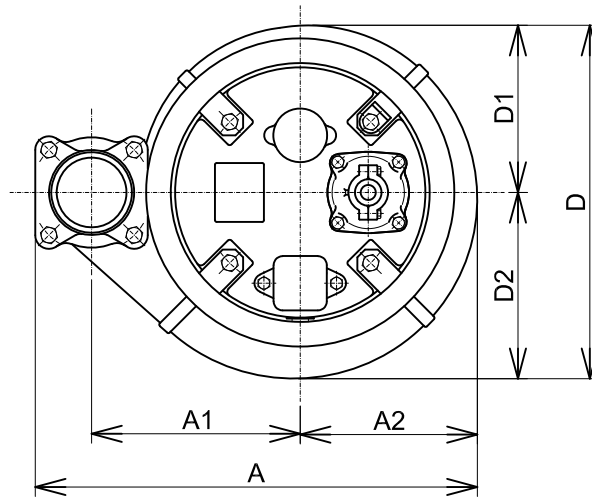


GPN35.5 -61



C.W.L. :Continuous running Water Level

DIMENSIONS:USCS (Inch)

Model	HP	NOM. SIZE	Pump & Motor									C.W.L.	*Wt.
			A	A1	A2	B	B1	D	D1	D2	H	W1	(lbs.)
GPN35.5-61	7.5	3"	19 3/16	9 1/16	7 11/16	15 5/16	12 13/16	15 3/8	7 5/16	8 1/16	31 5/16	11 3/8	319

DIMENSIONS:METRIC (mm)

Model	kW	NOM. SIZE	Pump & Motor									C.W.L.	*Wt.
			A	A1	A2	B	B1	D	D1	D2	H	W1	(kg)
GPN35.5-61	5.5	80	487	230	195	389	326	390	185	205	796	290	145

*Excluding Cable